

PLEASE CHECK WWW.MOLEX.COM FOR LATEST PART INFORMATION

Part Number: [0530480810](#)
Status: **Active**
Overview: [PicoBlade Connector System](#)
Description: 1.25mm Pitch PicoBlade Header, Right-Angle, 8 Circuits

Documents:

3D Model	Application Specification 510210000-AS-000 (PDF)
Drawing (PDF)	Packaging Specification SPK-53048-001-001 (PDF)
Product Specification PS-51021-010-001 (PDF)	RoHS Certificate of Compliance (PDF)

Agency Certification

UL E29179

General

Product Family	PCB Headers
Series	53048
Application	Signal, Wire-to-Board
Current Derating Order No	987651-3691
Overview	PicoBlade Connector System
Product Name	PicoBlade
UPC	800753752214

Physical

Breakaway	No
Circuits (Loaded)	8
Circuits (maximum)	8
Color - Resin	Natural
First Mate / Last Break	No
Glow-Wire Capable	No
Guide to Mating Part	No
Keying to Mating Part	None
Lock to Mating Part	Yes
Mated Height	3.50mm
Material - Plating Mating	Tin
Material - Resin	Nylon
Net Weight	193.500/mg
Number of Rows	1
Orientation	Right Angle
PC Tail Length	2.30mm
PCB Locator	No
PCB Retention	None
PCB Thickness - Recommended	0.80mm
Packaging Type	Tray
Pitch - Mating Interface	1.25mm
Polarized to PCB	No
Shrouded	Fully
Stackable	No
Temperature Range - Operating	-40° to +85°C
Termination Interface: Style	Through Hole

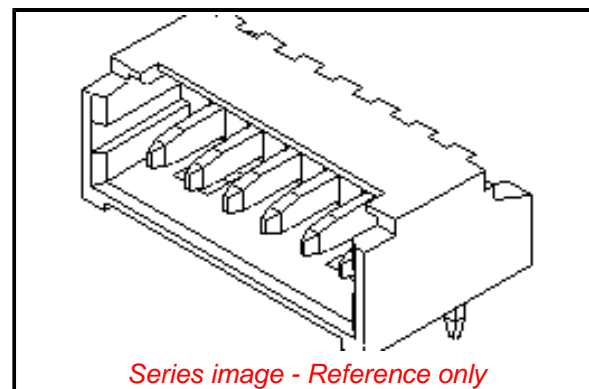
Electrical

Current - Maximum per Contact	1.0A
Voltage - Maximum	125V

Material Info

Reference - Drawing Numbers

Application Specification	510210000-AS-000
---------------------------	------------------



EU ELV

Not Relevant

EU RoHS

Compliant

REACH SVHC

Not Contained Per -
ED/61/2018 (27 June
2018)

Halogen-Free

Status

Not Low-Halogen

For more information, please visit [Contact US](#)

China ROHS

ELV

RoHS Phthalates

China RoHS

Green Image

Not Relevant

Not Contained

Search Parts in this Series

[53048 Series](#)

Mates With

PicoBlade Housing [51021](#)
PicoBlade
Cable Assembly [15134](#)

Packaging Specification
Product Specification
Sales Drawing

SPK-53048-001-001
PS-51021-010-001
SD-53048-**10, SD-53048-001

This document was generated on 11/02/2018

PLEASE CHECK WWW.MOLEX.COM FOR LATEST PART INFORMATION

Mouser Electronics

Authorized Distributor

Click to View Pricing, Inventory, Delivery & Lifecycle Information:

[Molex:](#)

[53048-0810](#)