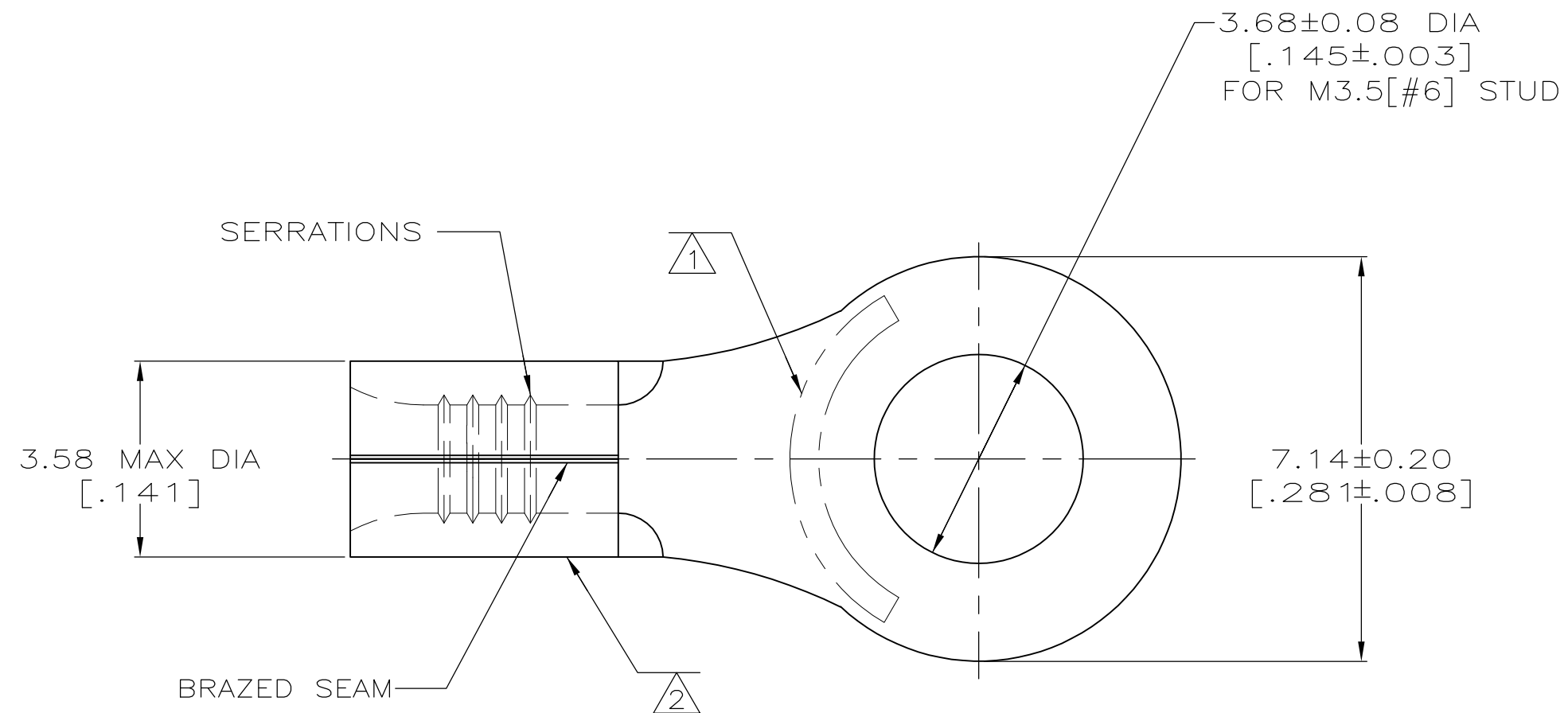
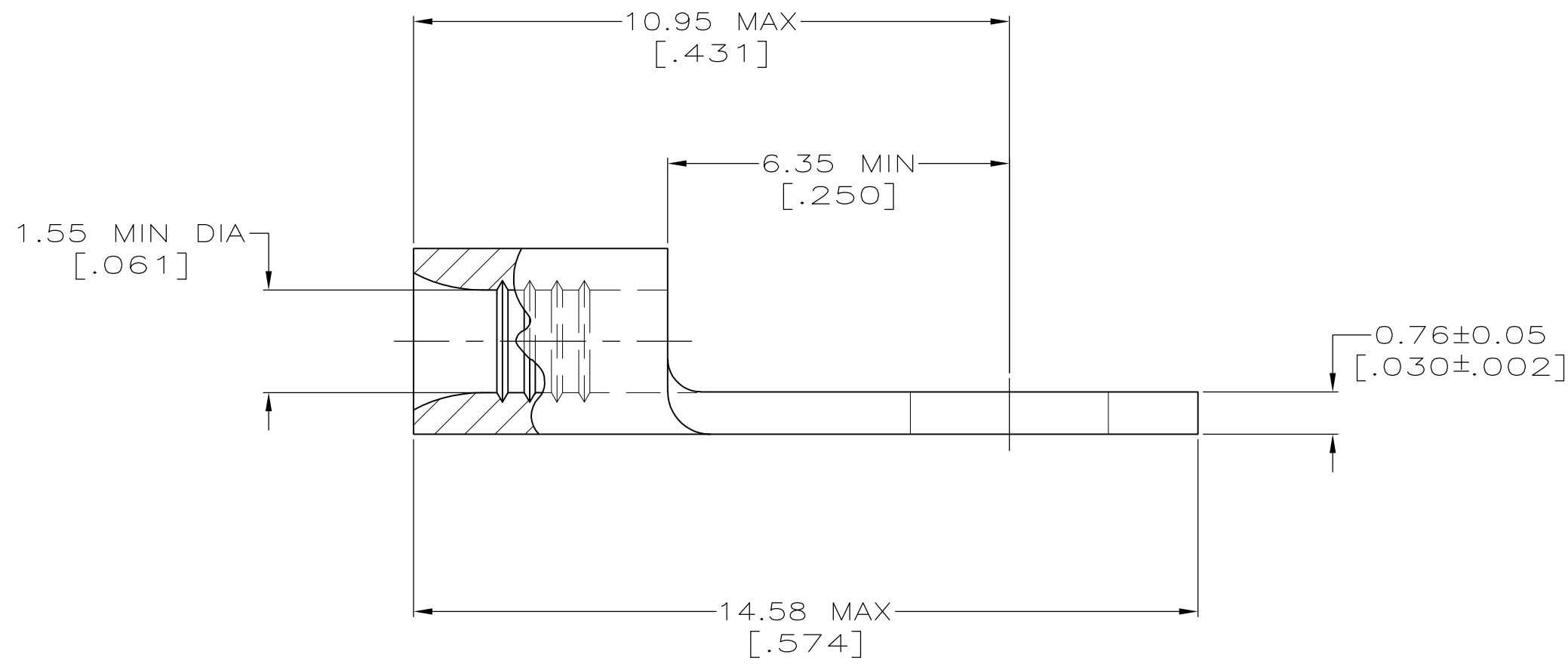


LOC	DIST	REVISIONS					
G	14	P	LTR	DESCRIPTION	DATE	OWN	APVD
		G3		REVISED PER ECO-12-003796	28FEB12	KH	DR



AMP
 WIRE RANGE
 22-16 AWG
 SOLID OR STRANDED

- ① STAMP AMP 22-18 APPROX AS SHOWN 22-16 TERMINALS ARE STAMPED 22-18 IN ACCORDANCE WITH MILITARY SPECIFICATION SAE AS7928; COMMERCIAL WIRE RANGE IS 22-16
- ② WIRE BARREL COLOR CODED ORANGE TO DENOTE NICKEL MATERIAL
- ③ PRELIMINARY PART NUMBER
- ④ GOLD PLATE 0.00127[.000050] MIN EXT THK, PER ASTM B488, TYPE1, CODE C OVER NICKEL FLASH SAE AMS QQ-N-290, OVER WOODS NICKEL FLASH PER ASTM B558.



④	260°C [500°F]	1000	LOOSE PIECE	321889-1
③	-	5000	ON TAPE	2-321889-4
-	-	1000	LOOSE PIECE	2-321889-1
OBSOLETE	649°C [1200°F]	100	LOOSE PIECE, BOX SPECIAL (NO WINDOW)	8-321889-5
②	-	5000	ON TAPE	2-321889-3
②	-	1000	LOOSE PIECE	321889
FINISH	MAX OPERATING TEMPERATURE	QUANTITY	PACKAGING TYPE	PART NO

AMP INCORPORATED CUSTOMER SERVICE SYSTEMS		MAX RECOMMENDED OPERATING TEMPERATURE: SEE TABLE
FOR ADDITIONAL PRODUCT INFORMATION OR COPIES OF DRAWINGS AND TECHNICAL DOCUMENTS	PRODUCT INFORMATION CENTER 1-800-522-6752	VOLTAGE RATING: NOT APPLICABLE
FOR APPLICATION TOOLING INFORMATION	TOOLING ASSISTANCE CENTER 1-800-722-1111	WIRE CROSS SECTIONAL AREA RANGE: 0.26-1.65mm ² [509-3,260] CIR MILS SOLID OR STRANDED
FOR ORDER ENTRY	1-800-526-5142	

THIS DRAWING IS A CONTROLLED DOCUMENT.		DWN TA BRINKMAN 4-15-93	STE TE Connectivity												
DIMENSIONS: mm [INCHES]		CHK DA PATTERSON 4-15-93													
TOLERANCES UNLESS OTHERWISE SPECIFIED:		APVD DE MILLER 4-15-93	NAME TERMINAL, RING TONGUE, HIGH TEMPERATURE, STRATO-THERM™												
<table border="0"> <tr><td>0 PLC</td><td>± -</td></tr> <tr><td>1 PLC</td><td>± -</td></tr> <tr><td>2 PLC</td><td>± -</td></tr> <tr><td>3 PLC</td><td>± -</td></tr> <tr><td>4 PLC</td><td>± -</td></tr> <tr><td>ANGLES</td><td>± ± -</td></tr> </table>		0 PLC	± -	1 PLC	± -	2 PLC	± -	3 PLC	± -	4 PLC	± -	ANGLES	± ± -	PRODUCT SPEC - APPLICATION SPEC -	SIZE A2
0 PLC	± -														
1 PLC	± -														
2 PLC	± -														
3 PLC	± -														
4 PLC	± -														
ANGLES	± ± -														
MATERIAL NICKEL PER ASTM B-162 ANNEALED	FINISH SEE TABLE	WEIGHT -	CAGE CODE 00779												
CUSTOMER DRAWING		DRAWING NO G-321889	RESTRICTED TO -												
SCALE 10:1		SHEET 1 OF 1	REV G3												

Mouser Electronics

Authorized Distributor

Click to View Pricing, Inventory, Delivery & Lifecycle Information:

[TE Connectivity:](#)

[2-321889-3](#)