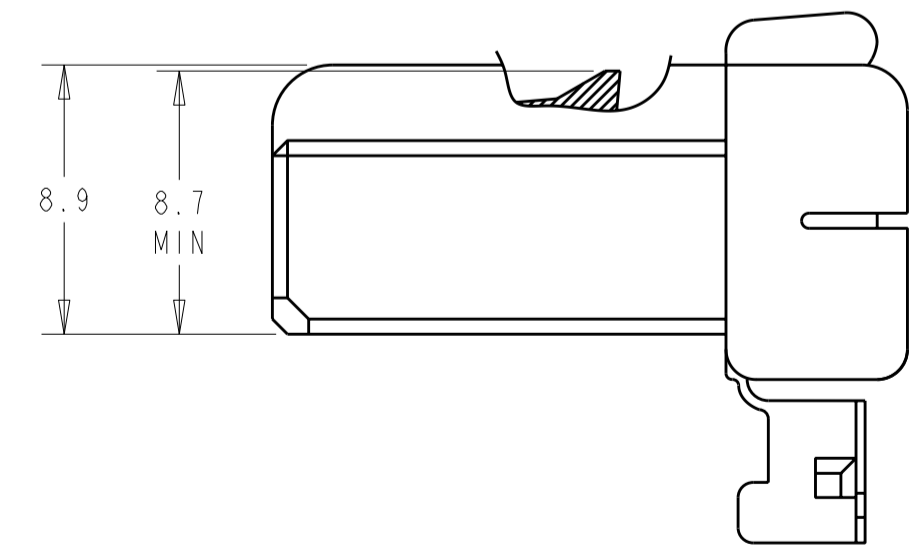
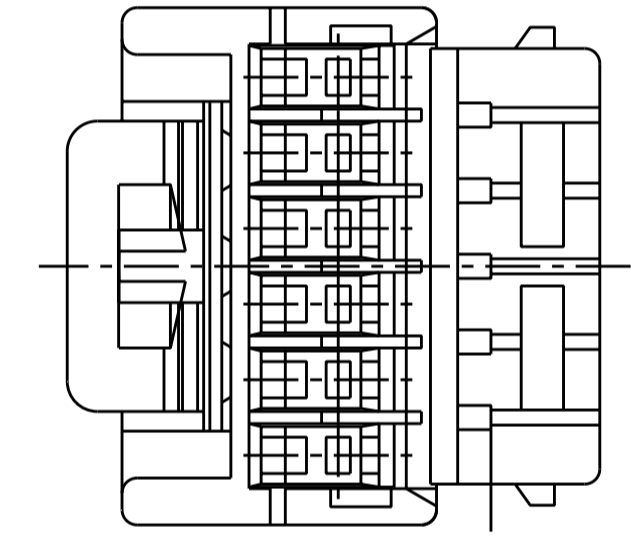
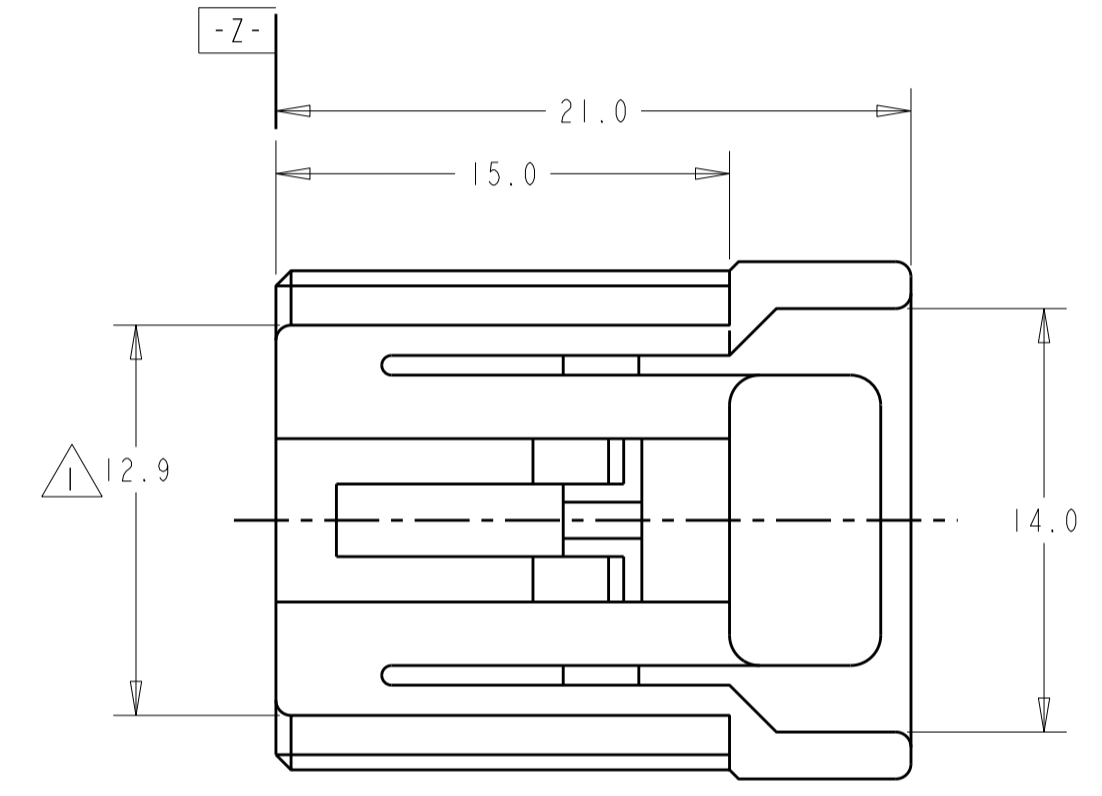
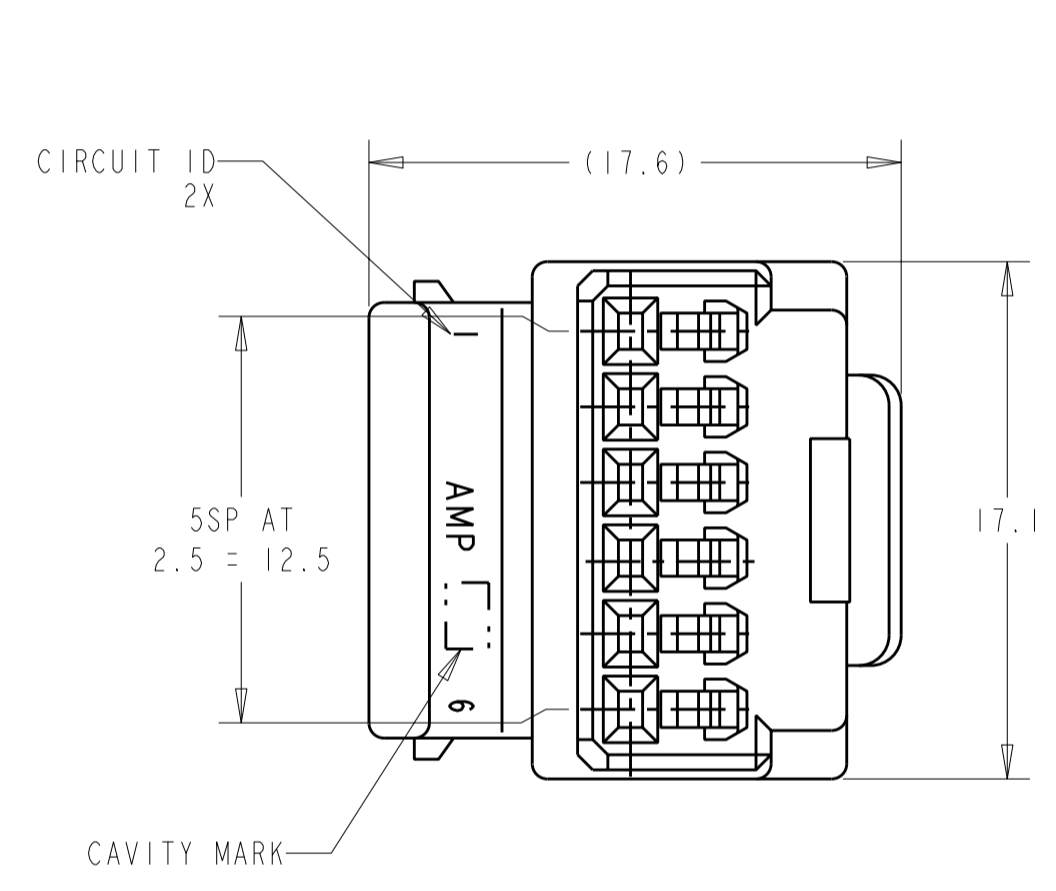


THIS DRAWING IS UNPUBLISHED. RELEASED FOR PUBLICATION 20  
 © COPYRIGHT 20 BY TYCO ELECTRONICS CORPORATION. ALL RIGHTS RESERVED.

LOC	DIST	REVISIONS			
P	LTR	DESCRIPTION	DATE	DWN	APVD
FX	00	E	REVISED PER ECO-09-023572	23OCT2009	DD SA

- 1. MUST BE HELD BETWEEN -Z- AND 2mm FROM -Z-
- 2. THE MATING CAP ASSEMBLY PART NUMBER IS 638102.
- 3. APPLIED RECEPTACLE CONTACT IS 173681.



NATURAL	638100-1
COLOR	PART NUMBER

<small>THIS DRAWING IS A CONTROLLED DOCUMENT FOR TYCO ELECTRONICS CORPORATION. IT IS SUBJECT TO CHANGE AND THE CONTROLLING ENGINEERING ORGANIZATION SHOULD BE CONTACTED FOR THE LATEST REVISION.</small>		DWN P. COLLINS 04 JUN 97 CHK D. STILLIE 04 JUN 97 APVD S. KROEGER 04 JUN 97	<b>Tyco Electronics</b> Tyco Electronics Harrisburg, PA 17105-3608
DIMENSIONS: mm 	TOLERANCES UNLESS OTHERWISE SPECIFIED: 0 PLC ±0.25 1 PLC ±0.15 2 PLC ±0.10 3 PLC ± 4 PLC ± ANGLES ±° FINISH -	PRODUCT SPEC - APPLICATION SPEC - WEIGHT -	NAME PLUG HOUSING, 6 POSITION, .040 SERIES, MULTI-LOCK I/O CONNECTOR SIZE A2 CAGE CODE 00779 DRAWING NO. 638100 RESTRICTED TO - CUSTOMER DRAWING SCALE 4:1 SHEET 1 OF 1 REV E

638100

# Mouser Electronics

Authorized Distributor

Click to View Pricing, Inventory, Delivery & Lifecycle Information:

[TE Connectivity:](#)

[638100-1](#)