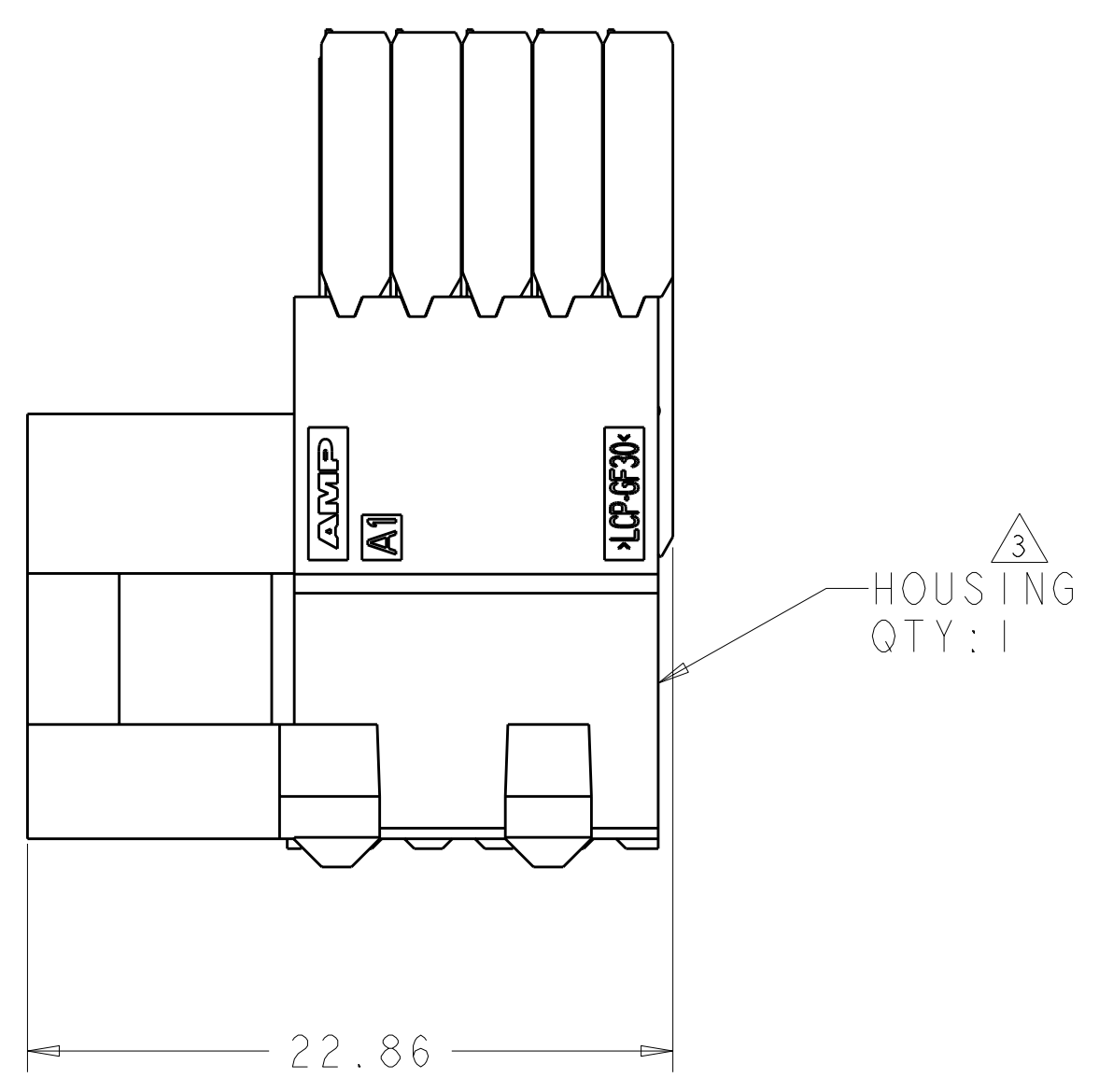
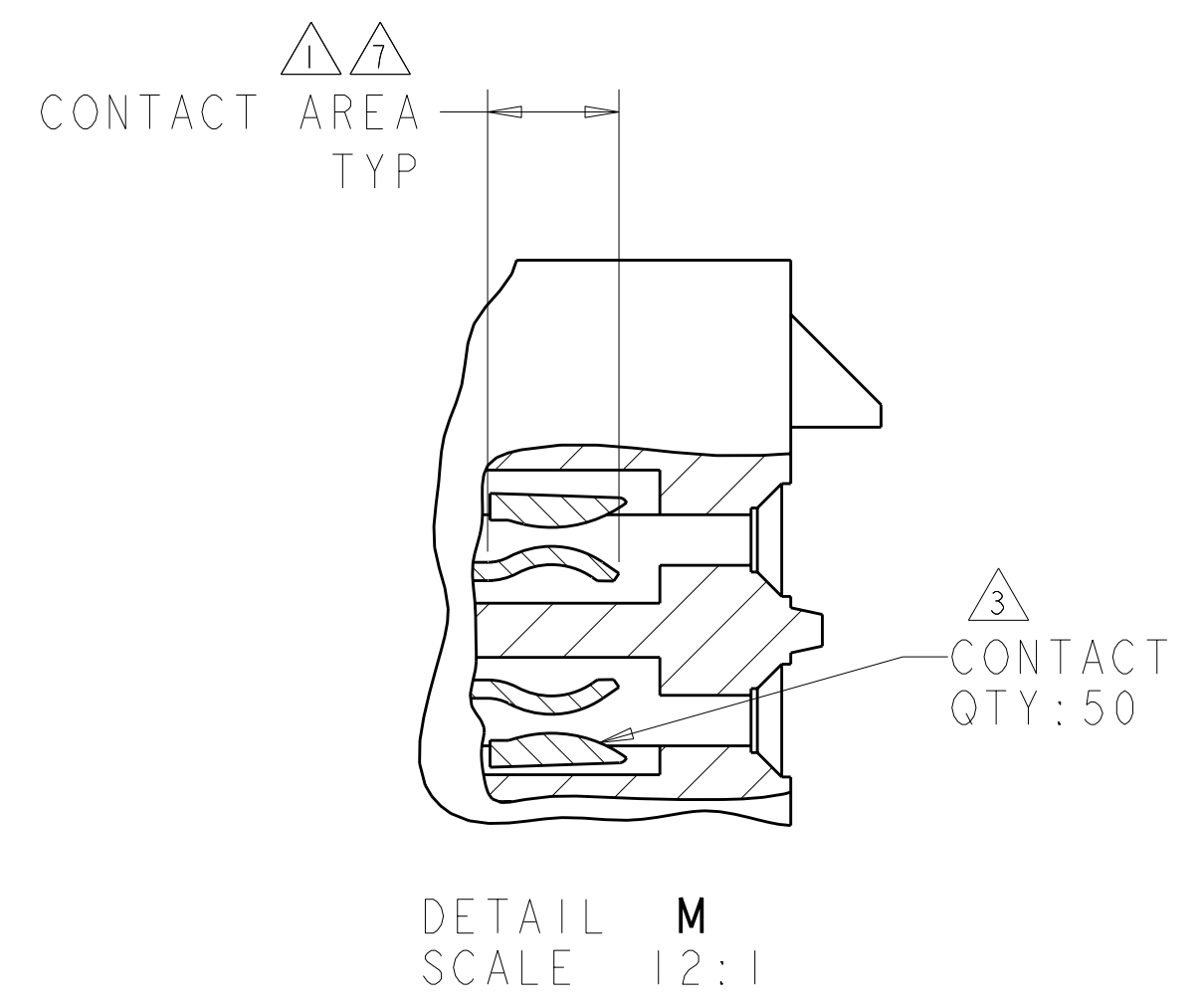
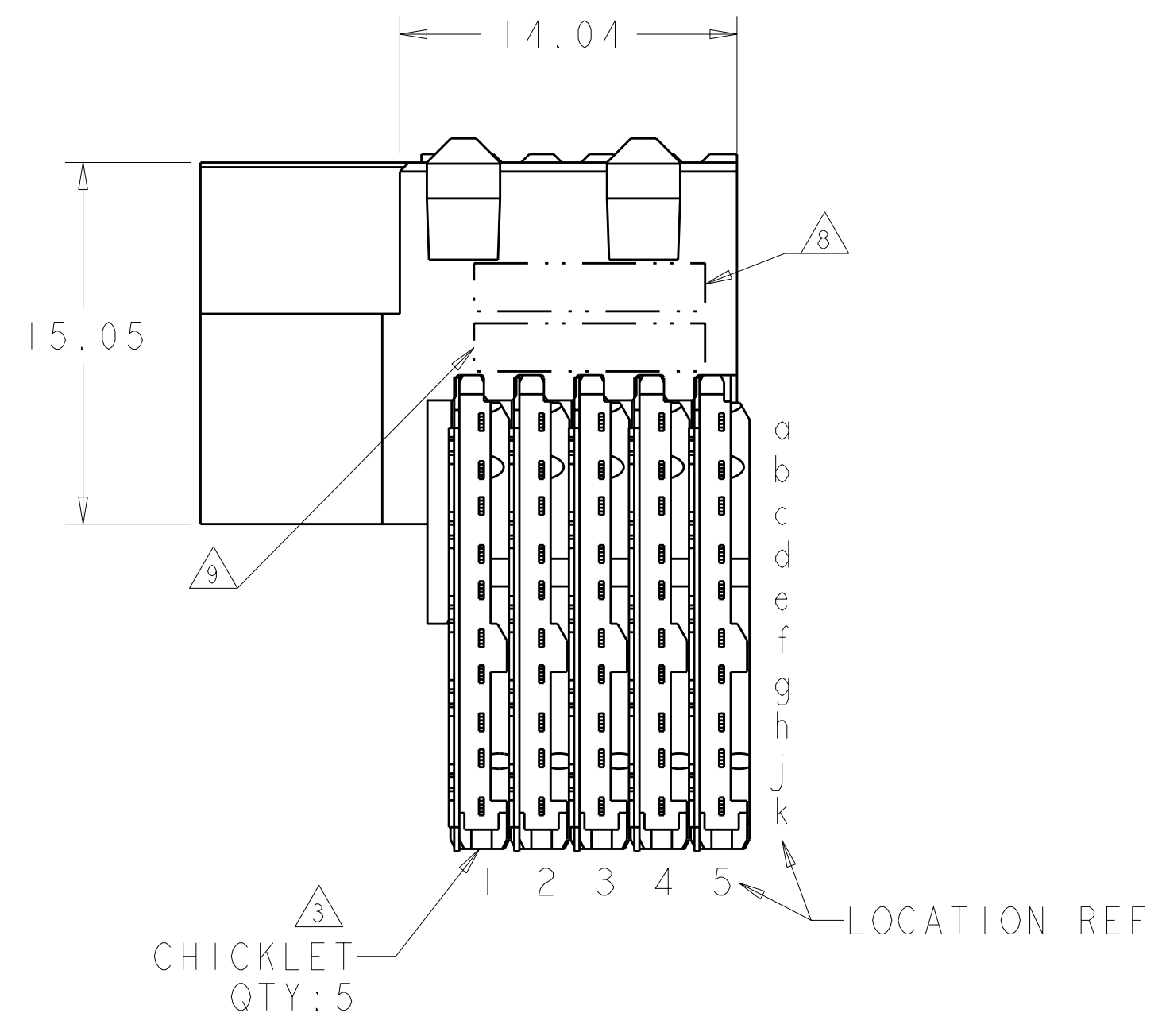
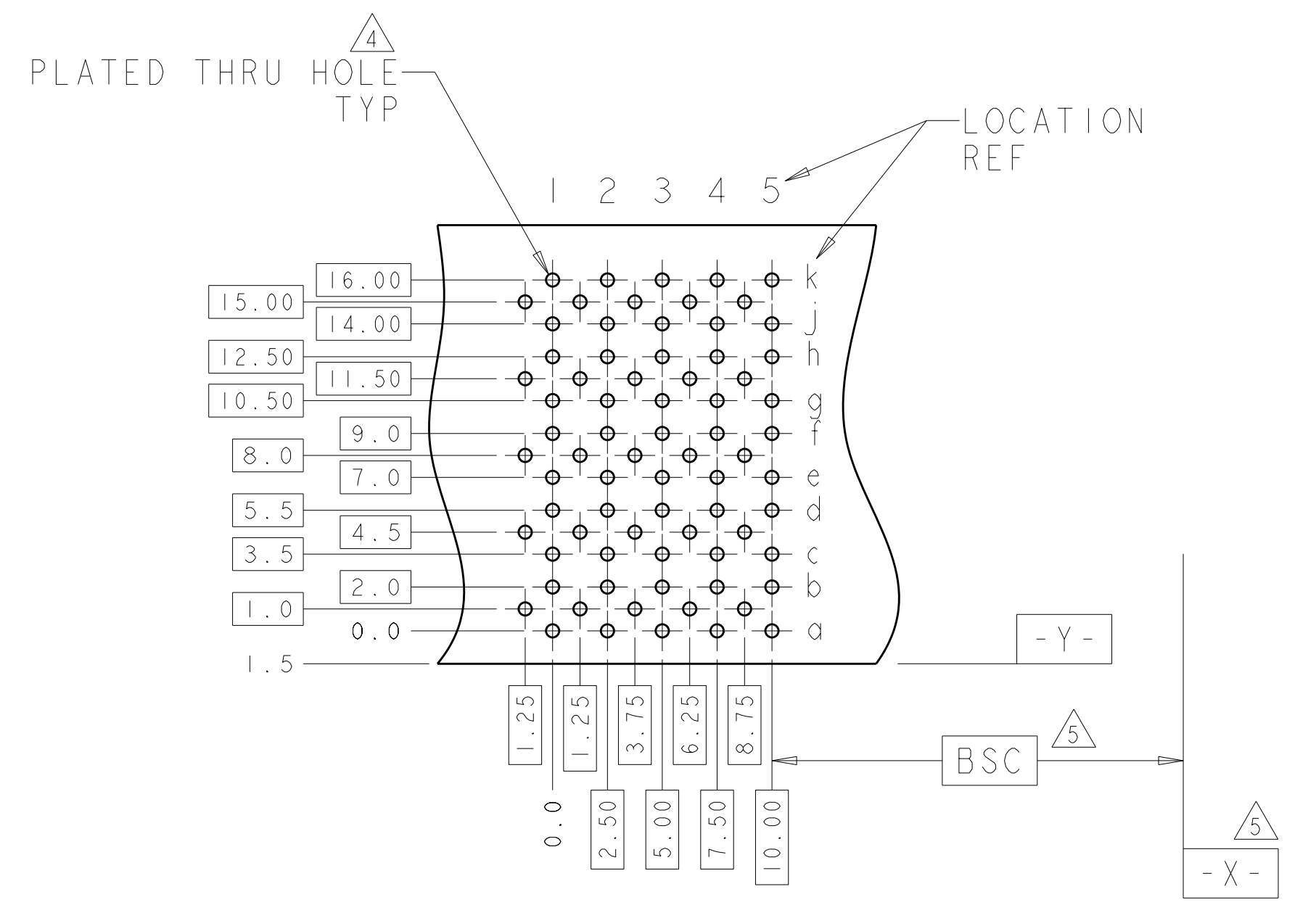
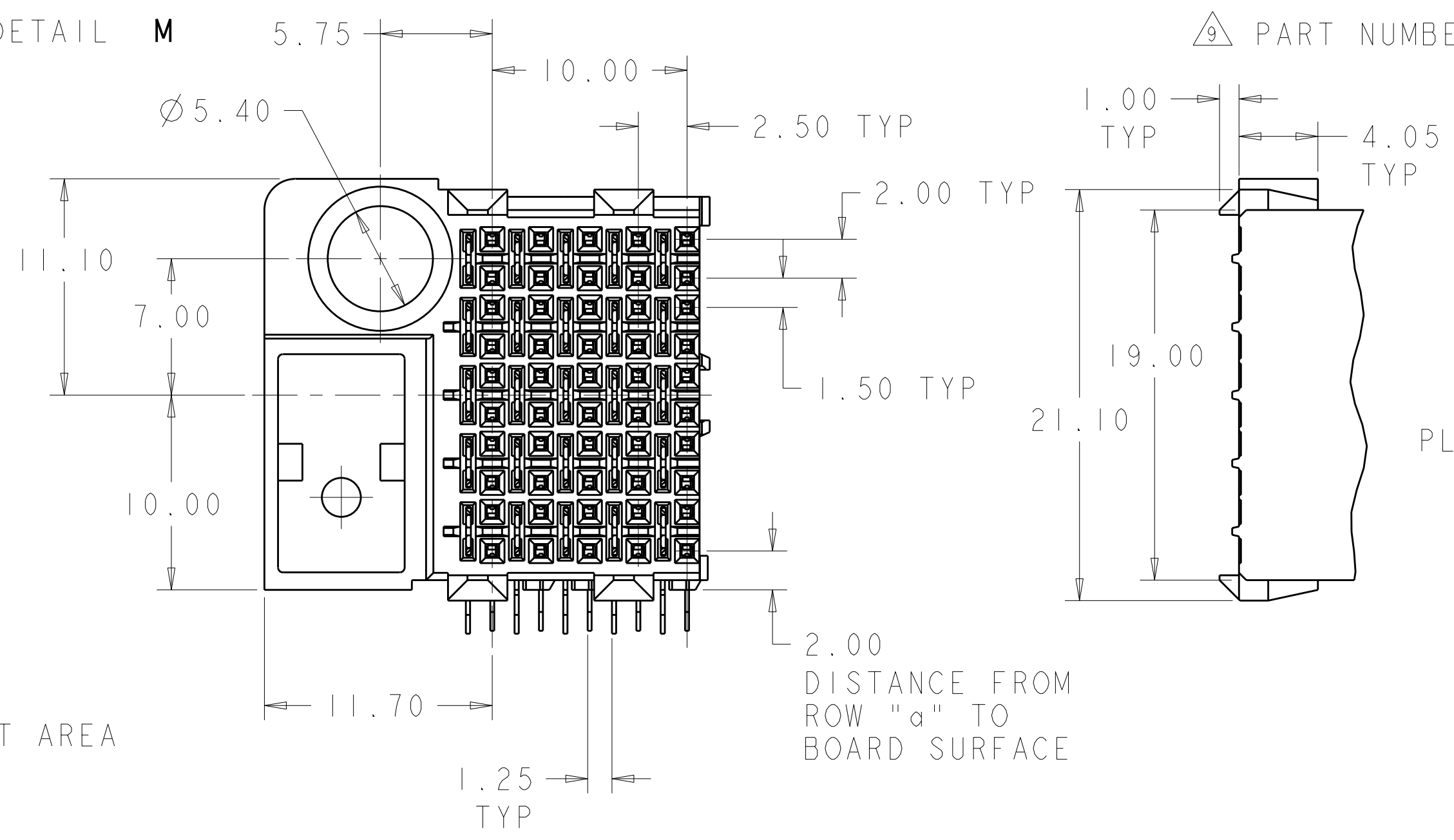
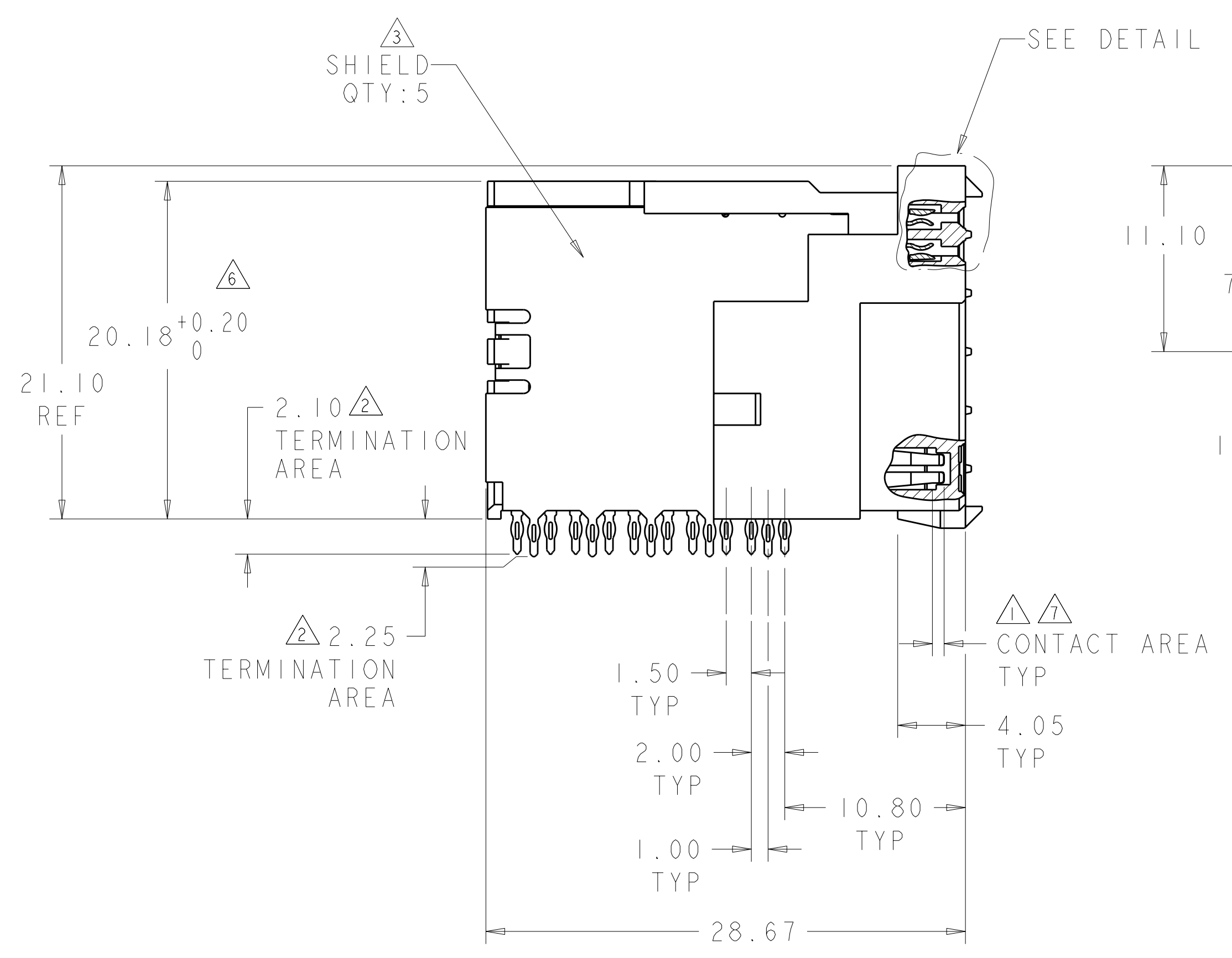


LOC	DIST	REV	DATE	BY	APPD
AD	00	A	13JUL2011	HMR	MH



- △ CONTACT MATING AREA MEETS THE PERFORMANCE REQUIREMENTS OF TE CONNECTIVITY PRODUCT SPECIFICATION 108-1957; BASED ON TELCORDIA GR-1217-CORE, APPLICATIONS IN UNCONTROLLED ENVIRONMENTS.
- △ 0.76µm MIN TIN OVER 1.27µm MIN NICKEL
- △ MATERIAL: CONTACT - COPPER ALLOY
SHIELD - PHOSPHOR BRONZE
HOUSING -LCP, UL94V-0
CHICKLET - GLASS FILLED POLYESTER
- △ REFERENCE APPLICATION SPEC 114-13020 FOR RECOMMENDED PLATED THRU HOLE DIAMETER AND PLATING THICKNESS.
- △ DATUM AND BASIC DIMENSION ESTABLISHED BY CUSTOMER.
- △ SEATING HEIGHT TO BOARD SURFACE.
- △ CONTACT AREA LUBRICATED WITH BELLCORE APPROVED LUBRICANT. TECHNICAL REFERENCE: GR-1217-CORE, ISSUE 1, NOVEMBER 1995.
- △ DATE CODE
- △ PART NUMBER



RECOMMENDED PRINTED
 CIRCUIT BOARD LAYOUT
 COMPONENT SIDE OF PRINTED CIRCUIT BOARD

5120795-1
 PART NUMBER

THIS DRAWING IS A CONTROLLED DOCUMENT.		OWN: B. CARBO 08DEC04	TE Connectivity
DIMENSIONS: mm		CHK: R. PATTERSON 08DEC04	
TOLERANCES UNLESS OTHERWISE SPECIFIED:		APPD: R. PATTERSON 08DEC04	NAME: RECEPTACLE ASSEMBLY, 50 POSITION, UNIVERSAL GUIDE PIN, LEFT HAND, 10 ROW, DUAL BEAM, Z-PACK HS3
0 PLC ± 1 PLC ±0.2 3 PLC ±0.13 4 PLC ±0.05 ANGLES ±		PRODUCT SPEC: 108-1957	
MATERIAL: SOLDER TAIL: CONTACT		APPLICATION SPEC: 114-13020	SIZE: A100779
FINISH: SOLDER TAIL: CONTACT		WEIGHT: -	DRAWING NO: 5120795
CUSTOMER DRAWING		SCALE: 4:1	SHEET 1 OF 1

Mouser Electronics

Authorized Distributor

Click to View Pricing, Inventory, Delivery & Lifecycle Information:

[TE Connectivity:](#)

[5120795-1](#)