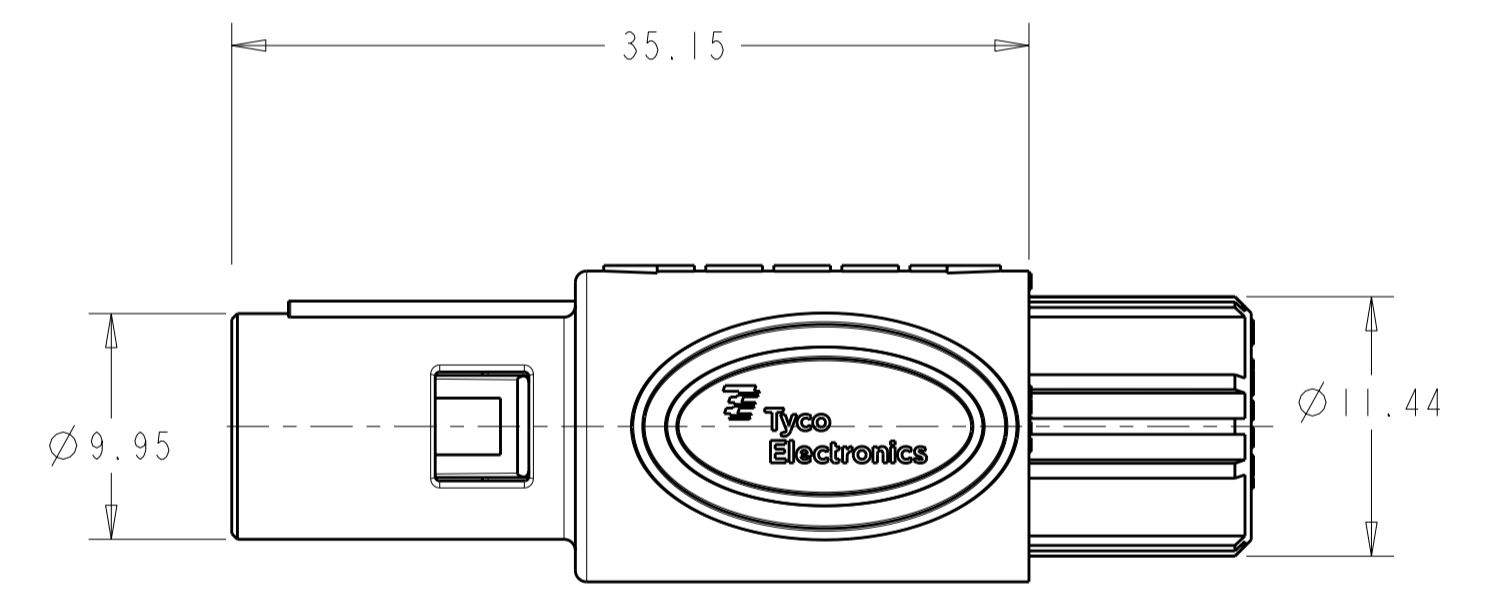
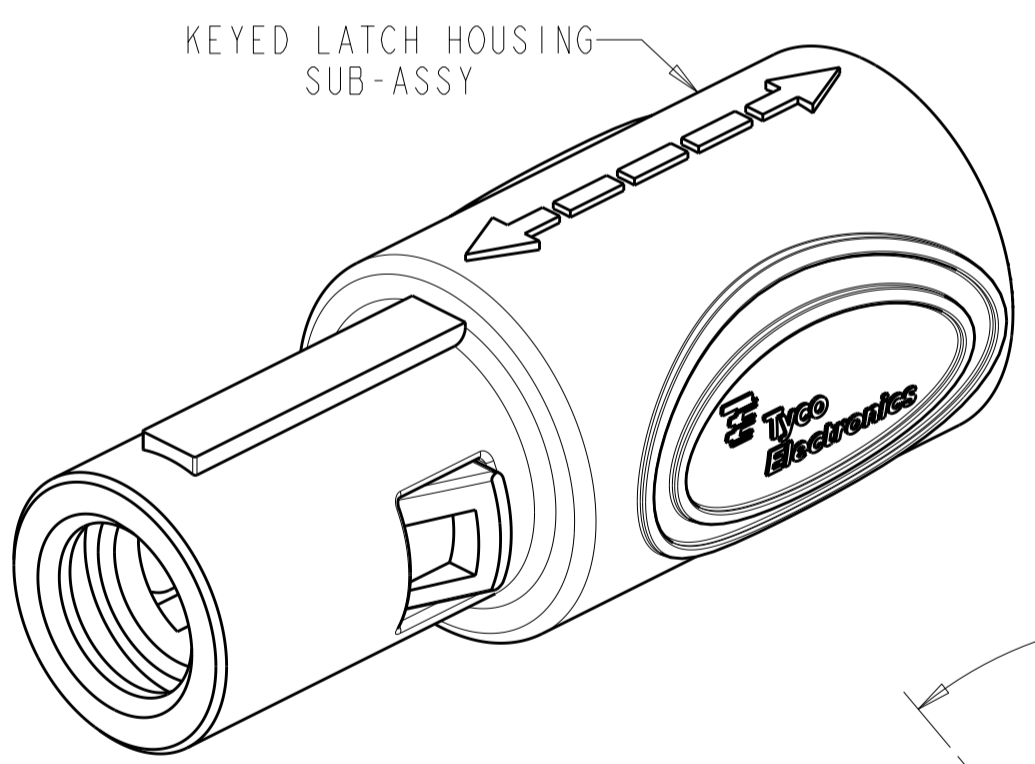
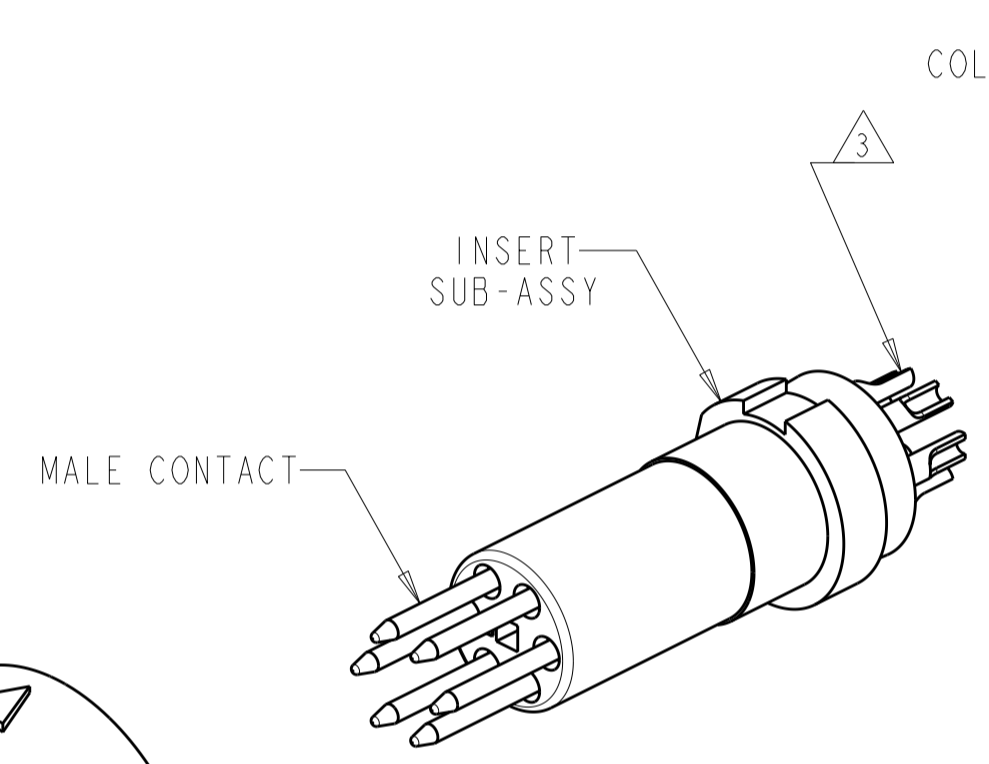
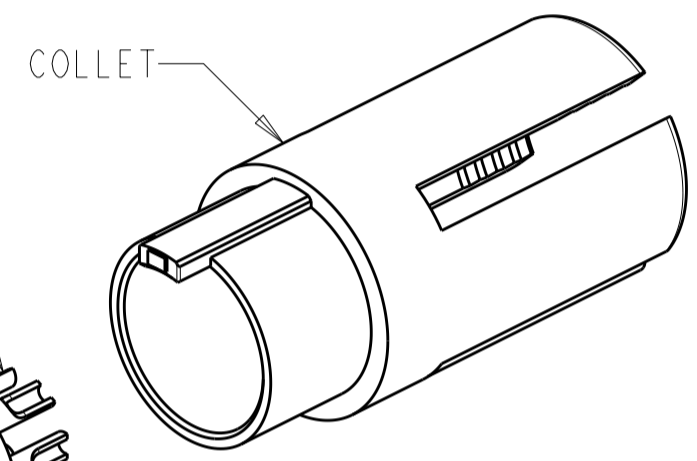
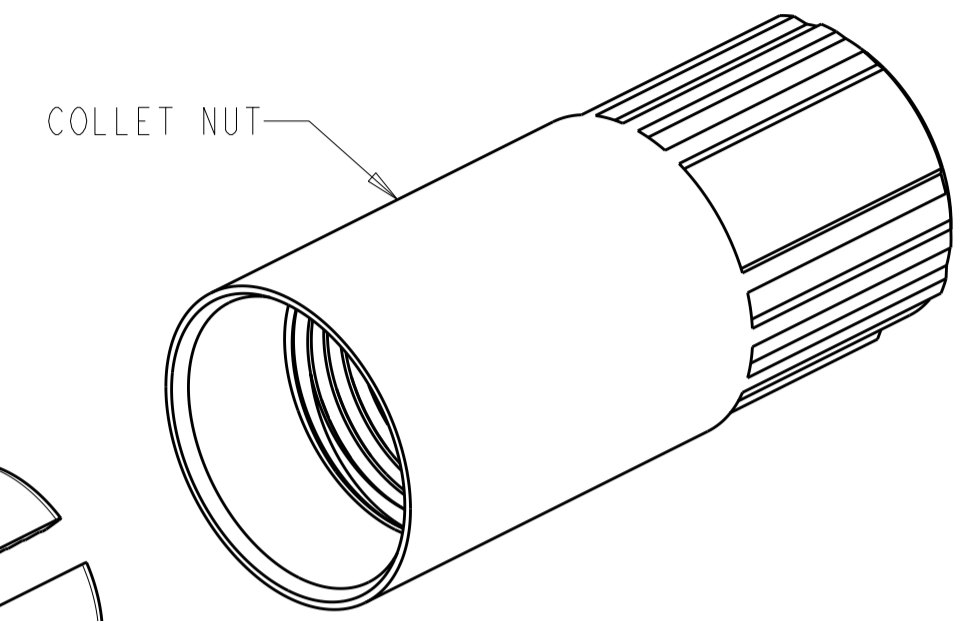


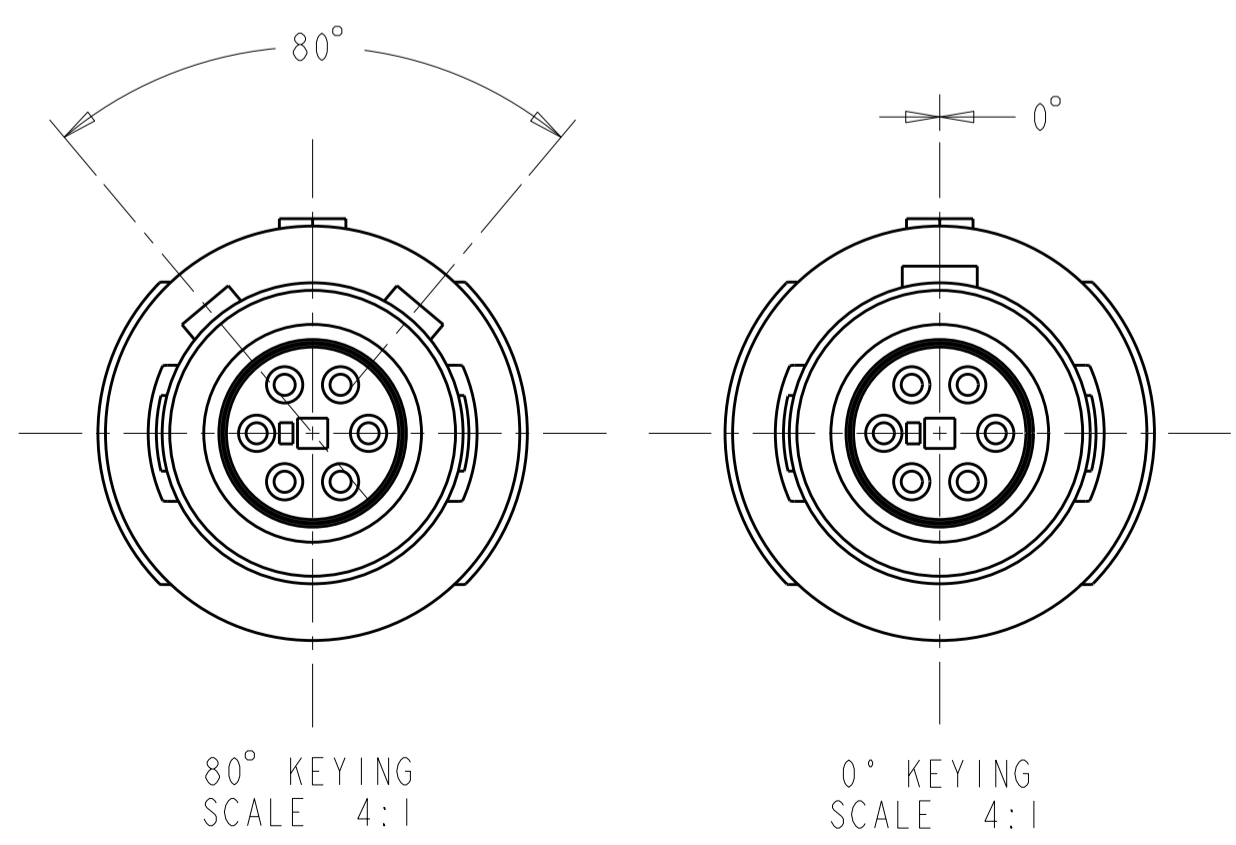
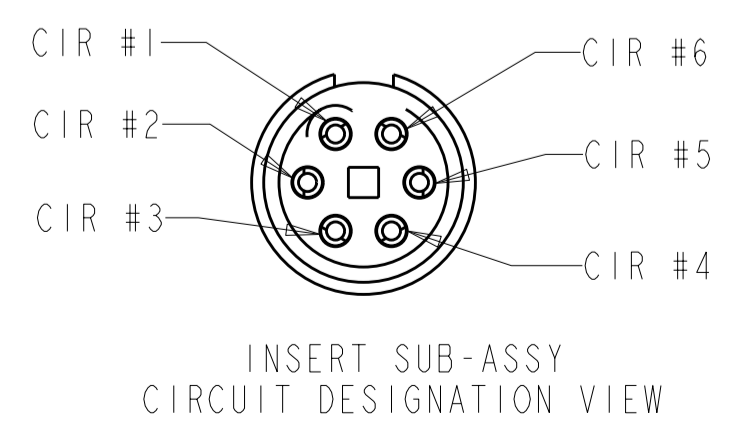
THIS DRAWING IS UNPUBLISHED. RELEASED FOR PUBLICATION 20
 © COPYRIGHT 20 BY - ALL RIGHTS RESERVED.

LOC	DIST	REVISIONS			
P	LTR	DESCRIPTION	DATE	DWN	APVD
AD	00	B3	REVISED PER ECO-11-005027	12MAR2011	RK HMR

- 1 MATERIAL:
 CONTACT: BRASS
 LATCH HOUSING, INSERT, COLLET, COLLET NUT:
 UL 94V-0 RATED THERMOPLASTIC
 COLOR:
 COLLET AND INSERT: GRAY
 LATCH HOUSING AND NUT: SEE TABLE
- 2 FINISH:
 CONTACT, 0.75µm MIN. GOLD OVER NICKEL
- 3 SOLDER TERMINATION CONTACT, 26 AWG WIRE MAX.
- 4. PRODUCT IS SUPPLIED UNASSEMBLED



SCALE 3:1



SEE SHEET 2 FOR PART NUMBER SELECTION
 PART NO.

THIS DRAWING IS A CONTROLLED DOCUMENT.		DWN K. MILLER 09MAR2006	STE TE Connectivity
		CHK L. BREKOSKY 09MAR2006	
DIMENSIONS:	TOLERANCES UNLESS OTHERWISE SPECIFIED:	APVD -	NAME
mm	0 PLC ± 1 PLC ±0.13 2 PLC ±0.08 3 PLC ± 4 PLC ±	PRODUCT SPEC 108-2249	6 POSITION CABLE COLLET 0 DEGREE AND 80 DEGREE KEYING STRAIGHT PLUG ASSEMBLY
	ANGLES ±1° FINISH	APPLICATION SPEC 114-13184	SIZE CAGE CODE DRAWING NO
MATERIAL		WEIGHT -	A2 00779 C-1877846
		CUSTOMER DRAWING	RESTRICTED TO -
		SCALE 4:1	SHEET 1 OF 3 REV B3

THIS DRAWING IS UNPUBLISHED. RELEASED FOR PUBLICATION 20
 © COPYRIGHT 20 BY - ALL RIGHTS RESERVED.

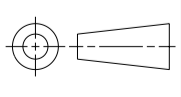
LOC	DIST	REVISIONS					
AD	00	P	LTR	DESCRIPTION	DATE	DWN	APVD
		-		SEE SHEET 1			

CABLE RANGE	COLLET NUT COLOR	LATCH HOUSING COLOR	KEYING	PART NO.
Ø 2.7-Ø 3.9	BLUE	GRAY	80°	7-1877846-2
Ø 4.0-Ø 5.2	BLUE	GRAY	80°	7-1877846-1
Ø 5.3-Ø 6.5	BLUE	GRAY	80°	7-1877846-0
Ø 2.7-Ø 3.9	BLUE	GRAY	0°	6-1877846-9
Ø 4.0-Ø 5.2	BLUE	GRAY	0°	6-1877846-8
Ø 5.3-Ø 6.5	BLUE	GRAY	0°	6-1877846-7
Ø 2.7-Ø 3.9	BLUE	BLACK	80°	6-1877846-6
Ø 4.0-Ø 5.2	BLUE	BLACK	80°	6-1877846-5
Ø 5.3-Ø 6.5	BLUE	BLACK	80°	6-1877846-4
Ø 2.7-Ø 3.9	BLUE	BLACK	0°	6-1877846-3
Ø 4.0-Ø 5.2	BLUE	BLACK	0°	6-1877846-2
Ø 5.3-Ø 6.5	BLUE	BLACK	0°	6-1877846-1
Ø 2.7-Ø 3.9	GREEN	GRAY	80°	6-1877846-0
Ø 4.0-Ø 5.2	GREEN	GRAY	80°	5-1877846-9
Ø 5.3-Ø 6.5	GREEN	GRAY	80°	5-1877846-8
Ø 2.7-Ø 3.9	GREEN	GRAY	0°	5-1877846-7
Ø 4.0-Ø 5.2	GREEN	GRAY	0°	5-1877846-6
Ø 5.3-Ø 6.5	GREEN	GRAY	0°	5-1877846-5
Ø 2.7-Ø 3.9	GREEN	BLACK	80°	5-1877846-4
Ø 4.0-Ø 5.2	GREEN	BLACK	80°	5-1877846-3
Ø 5.3-Ø 6.5	GREEN	BLACK	80°	5-1877846-2
Ø 2.7-Ø 3.9	GREEN	BLACK	0°	5-1877846-1
Ø 4.0-Ø 5.2	GREEN	BLACK	0°	5-1877846-0
Ø 5.3-Ø 6.5	GREEN	BLACK	0°	4-1877846-9
Ø 2.7-Ø 3.9	YELLOW	GRAY	80°	4-1877846-8
Ø 4.0-Ø 5.2	YELLOW	GRAY	80°	4-1877846-7
Ø 5.3-Ø 6.5	YELLOW	GRAY	80°	4-1877846-6
Ø 2.7-Ø 3.9	YELLOW	GRAY	0°	4-1877846-5
Ø 4.0-Ø 5.2	YELLOW	GRAY	0°	4-1877846-4
Ø 5.3-Ø 6.5	YELLOW	GRAY	0°	4-1877846-3
Ø 2.7-Ø 3.9	YELLOW	BLACK	80°	4-1877846-2
Ø 4.0-Ø 5.2	YELLOW	BLACK	80°	4-1877846-1
Ø 5.3-Ø 6.5	YELLOW	BLACK	80°	4-1877846-0
Ø 2.7-Ø 3.9	YELLOW	BLACK	0°	3-1877846-9
Ø 4.0-Ø 5.2	YELLOW	BLACK	0°	3-1877846-8
Ø 5.3-Ø 6.5	YELLOW	BLACK	0°	3-1877846-7

PART NUMBERS 37 THRU 72

CABLE RANGE	COLLET NUT COLOR	LATCH HOUSING COLOR	KEYING	PART NO.
Ø 2.7-Ø 3.9	WHITE	GRAY	80°	3-1877846-6
Ø 4.0-Ø 5.2	WHITE	GRAY	80°	3-1877846-5
Ø 5.3-Ø 6.5	WHITE	GRAY	80°	3-1877846-4
Ø 2.7-Ø 3.9	WHITE	GRAY	0°	3-1877846-3
Ø 4.0-Ø 5.2	WHITE	GRAY	0°	3-1877846-2
Ø 5.3-Ø 6.5	WHITE	GRAY	0°	3-1877846-1
Ø 2.7-Ø 3.9	WHITE	BLACK	80°	3-1877846-0
Ø 4.0-Ø 5.2	WHITE	BLACK	80°	2-1877846-9
Ø 5.3-Ø 6.5	WHITE	BLACK	80°	2-1877846-8
Ø 2.7-Ø 3.9	WHITE	BLACK	0°	2-1877846-7
Ø 4.0-Ø 5.2	WHITE	BLACK	0°	2-1877846-6
Ø 5.3-Ø 6.5	WHITE	BLACK	0°	2-1877846-5
Ø 2.7-Ø 3.9	RED	GRAY	80°	2-1877846-4
Ø 4.0-Ø 5.2	RED	GRAY	80°	2-1877846-3
Ø 5.3-Ø 6.5	RED	GRAY	80°	2-1877846-2
Ø 2.7-Ø 3.9	RED	GRAY	0°	2-1877846-1
Ø 4.0-Ø 5.2	RED	GRAY	0°	2-1877846-0
Ø 5.3-Ø 6.5	RED	GRAY	0°	1-1877846-9
Ø 2.7-Ø 3.9	RED	BLACK	80°	1-1877846-8
Ø 4.0-Ø 5.2	RED	BLACK	80°	1-1877846-7
Ø 5.3-Ø 6.5	RED	BLACK	80°	1-1877846-6
Ø 2.7-Ø 3.9	RED	BLACK	0°	1-1877846-5
Ø 4.0-Ø 5.2	RED	BLACK	0°	1-1877846-4
Ø 5.3-Ø 6.5	RED	BLACK	0°	1-1877846-3
Ø 2.7-Ø 3.9	GRAY	GRAY	80°	1-1877846-2
Ø 4.0-Ø 5.2	GRAY	GRAY	80°	1-1877846-1
Ø 5.3-Ø 6.5	GRAY	GRAY	80°	1-1877846-0
Ø 2.7-Ø 3.9	GRAY	GRAY	0°	1877846-9
Ø 4.0-Ø 5.2	GRAY	GRAY	0°	1877846-8
Ø 5.3-Ø 6.5	GRAY	GRAY	0°	1877846-7
Ø 2.7-Ø 3.9	BLACK	BLACK	80°	1877846-6
Ø 4.0-Ø 5.2	BLACK	BLACK	80°	1877846-5
Ø 5.3-Ø 6.5	BLACK	BLACK	80°	1877846-4
Ø 2.7-Ø 3.9	BLACK	BLACK	0°	1877846-3
Ø 4.0-Ø 5.2	BLACK	BLACK	0°	1877846-2
Ø 5.3-Ø 6.5	BLACK	BLACK	0°	1877846-1

PART NUMBERS 1 THRU 36

THIS DRAWING IS A CONTROLLED DOCUMENT.		DWN K. MILLER 09MAR2006	 TE Connectivity
DIMENSIONS: mm		CHK L. BREKOSKY 09MAR2006	
		APVD -	
TOLERANCES UNLESS OTHERWISE SPECIFIED:		PRODUCT SPEC 108-2249	NAME 6 POSITION CABLE COLLET 0 DEGREE AND 80 DEGREE KEYING STRAIGHT PLUG ASSEMBLY
0 PLC ± 1 PLC ±0.13 2 PLC ±0.08 3 PLC ± 4 PLC ±		APPLICATION SPEC 114-13184	SIZE A2
MATERIAL -		FINISH -	CAGE CODE 00779
		WEIGHT -	DRAWING NO. 1877846
		CUSTOMER DRAWING	RESTRICTED TO -
		SCALE 4:1	SHEET 2 OF 3
			REV B3

THIS DRAWING IS UNPUBLISHED. RELEASED FOR PUBLICATION 20

© COPYRIGHT 20 BY ALL RIGHTS RESERVED.

LOC	DIST	REVISIONS					
		P	LTR	DESCRIPTION	DATE	DWN	APVD
AD	00	-		SEE SHEET 1	-	-	-

Ø 2.7-Ø 3.9	BLACK	GRAY	80°	8-1877846-4
Ø 4.0-Ø 5.2	BLACK	GRAY	80°	8-1877846-3
Ø 5.3-Ø 6.5	BLACK	GRAY	80°	8-1877846-2
Ø 2.7-Ø 3.9	BLACK	GRAY	0°	8-1877846-1
Ø 4.0-Ø 5.2	BLACK	GRAY	0°	8-1877846-0
Ø 5.3-Ø 6.5	BLACK	GRAY	0°	7-1877846-9
Ø 2.7-Ø 3.9	GRAY	BLACK	80°	7-1877846-8
Ø 4.0-Ø 5.2	GRAY	BLACK	80°	7-1877846-7
Ø 5.3-Ø 6.5	GRAY	BLACK	80°	7-1877846-6
Ø 2.7-Ø 3.9	GRAY	BLACK	0°	7-1877846-5
Ø 4.0-Ø 5.2	GRAY	BLACK	0°	7-1877846-4
Ø 5.3-Ø 6.5	GRAY	BLACK	0°	7-1877846-3
CABLE RANGE	BACK-NUT COLOR	LATCH HOUSING COLOR	KEYING	PART NO.
PART NUMBERS 73 THRU 84				

THIS DRAWING IS A CONTROLLED DOCUMENT.		DWN K. MILLER 09MAR2006	STE TE Connectivity	
		CHK L. BREKOSKY 09MAR2006		
DIMENSIONS: mm	TOLERANCES UNLESS OTHERWISE SPECIFIED:	APVD -	NAME 6 POSITION CABLE COLLET 0 DEGREE AND 80 DEGREE KEYING STRAIGHT PLUG ASSEMBLY	
	0 PLC ± 1 PLC ±0.13 2 PLC ±0.08 3 PLC ± 4 PLC ±	PRODUCT SPEC 108-2249	RESTRICTED TO -	
MATERIAL	FINISH	APPLICATION SPEC 114-13184	SIZE A2	CAGE CODE 00779
		WEIGHT -	DRAWING NO 1877846	REV B3
CUSTOMER DRAWING			SCALE 4:1	SHEET 3 OF 3

Mouser Electronics

Authorized Distributor

Click to View Pricing, Inventory, Delivery & Lifecycle Information:

[TE Connectivity:](#)

[4-1877846-0](#)