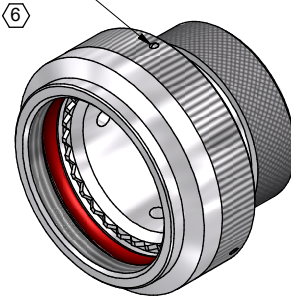


WHEN 'L' MODIFICATION IS SPECIFIED,  
COUPLING NUT SHALL HAVE 3 LOCK WIRE HOLES,  
120° APART



## CODE 40 - HEAT SHRINK BOOT BACKSHELL

209M412-19B-DL

SERIES \_\_\_\_\_  
 ORDER NUMBER (TABLE 1) \_\_\_\_\_  
 MATERIAL \_\_\_\_\_  
     REFER TO CH00-0250-004  
 FINISH \_\_\_\_\_  
     REFER TO CH00-0250-004  
 MODIFICATION CODE \_\_\_\_\_  
     REFER TO CH00-0250-004

### NOTES:

1. THIS PRODUCT IS DESIGNED TO TERMINATE A HEAT SHRINKABLE LIPPED BOOT TO A CONNECTOR.
2. FOR ADDITIONAL DIMENSIONS, ORDERING INFORMATION AND MODIFICATIONS, SEE CH00-0250-004.
3. BACKSHELL TO BE PERMANENTLY MARKED/BAGGED AND LABELLED WITH CODE IDENTIFICATION NUMBER AND PART NUMBER. (e.g. 06090-209M412-19B).
4. KNURL INSIDE BOOT GROOVE MAY BE SUPPLIED AT MANUFACTURER'S OPTION.
- ⑤ BACKSHELL MATES TO MIL-C-38999 SERIES III & IV, CLASS C, F, K AND W, D38999/20, /24, /26, /40, /46, /47 CONNECTORS AND WHEN SO MATED PROVIDE A WATER-TIGHT SEAL MEETING THE REQUIREMENTS OF MIL-C-85049, PAR. 3.5.7.
- ⑥ WHEN 'L' MODIFICATION IS SPECIFIED, COUPLING NUT SHALL HAVE 3 LOCK WIRE HOLES, 120° APART.
7. THIS IS A FUNCTIONAL EQUIVALENT OF MIL-C-85049/69
- ⑧ WHEN GROUNDING SCREW MODIFICATION IS ORDERED 18,50 MAX BECOMES 27,20 MAX AND 25,50 MAX BECOMES 34,20 MAX

<b>DRAWN</b>	W.RUST	<b>DATE</b> 11/09/2015	 3RD ANGLE PROJECTION NOT TO SCALE	<b>TITLE:</b>  HEAT SHRINK BOOT BACKSHELL	 <b>Polamco</b> 	
<b>CHECKED</b>		11/09/2015				
<b>APPROVED</b>	K.SHEPPARD	11/09/2015				UNLESS OTHERWISE SPECIFIED ALL DIMENSIONS IN MILLIMETRES <b>GENERAL TOL</b> LINEAR +/-0.25MM ANGULAR +/- 1°
<b>APPROVED</b>	H.SMITH	15/10/2015				
<b>REVISIONS</b>				<b>ASSY USED ON:</b>  MIL-DTL-39888 SERIES III & IV		
<b>LTR</b>	<b>DESCRIPTION</b>	<b>DATE</b>	<b>APPROVED</b>			
H	REVISED PER ECO-15-002406	19/02/15	H.SMITH			
J	REVISED PER ECO-15-013980	15/10/2015	H.SMITH			
TE CAGE CODE: 06090 POLAMCO/TE CAGE CODE: U5792				TE CONNECTIVITY - POLAMCO LTD RESERVES THE RIGHT TO AMEND THIS DRAWING AND THE INFORMATION SET FORTH HEREON AT ANY TIME. USERS SHOULD INDEPENDENTLY EVALUATE THE SUITABILITY OF THE PRODUCT FOR THEIR APPLICATION.	<b>DRAWING NO:</b> 209M4XX	
				<b>DRAWING REV:</b> J	<b>SHT</b> 1	

WHEN 'L' MODIFICATION IS SPECIFIED,  
COUPLING NUT SHALL HAVE 3 LOCK WIRE HOLES,  
120° APART

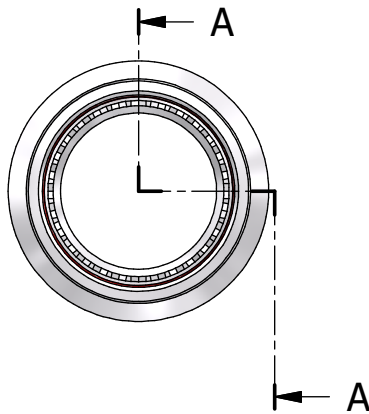
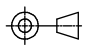


TABLE 1

BASE PART NUMBER	ORDER.NO. ⑤	SHELL SIZE COM'L / MIL	A THREAD	ØB MAX	X +0,20/-0,00	ØY MAX	ØZ MIN
209M408	08	9 / A	M12 × 1.0	18,0	1,12	13,50	6,80
209M410	10	11 / B	M15 × 1.0	21,0	1,12	15,40	10,30
209M412	12	13 / C	M18 × 1.0	24,5	1,12	19,70	13,60
209M414	14	15 / D	M22 × 1.0	29,0	1,12	21,30	16,30
209M416	16	17 / E	M25 × 1.0	32,5	1,12	24,50	19,50
209M418	18	19 / F	M28 × 1.0	35,5	1,12	26,50	21,90
209M420	20	21 / G	M31 × 1.0	37,0	1,75	31,00	25,20
209M422	22	23 / H	M34 × 1.0	40,0	1,75	34,40	28,30
209M424	24	25 / J	M37 × 1.0	43,5	1,75	36,60	31,50

DRAWN	W.RUST	DATE 11/09/2015	 3RD ANGLE PROJECTION NOT TO SCALE  UNLESS OTHERWISE SPECIFIED ALL DIMENSIONS IN MILLIMETRES <b>GENERAL TOL</b> LINEAR +/-0,25MM ANGULAR +/- 1°
CHECKED		11/09/2015	
APPROVED	K.SHEPPARD	11/09/2015	
APPROVED	H.SMITH	15/10/2015	
<b>REVISIONS</b>			
LTR	DESCRIPTION	DATE	APPROVED
H	REVISED PER ECO-15-002406	19/02/15	H.SMITH
J	REVISED PER ECO-15-013980	15/10/2015	H.SMITH

**TITLE:**  
**HEAT SHRINK BOOT BACKSHELL**

**ASSY USED ON:**  
**MIL-DTL-39888 SERIES III & IV**



**Polamco**  
TE  
connectivity

TE CAGE CODE: 06090  
POLAMCO/TE CAGE CODE: U5792

TE CONNECTIVITY - POLAMCO LTD RESERVES THE RIGHT TO AMEND THIS DRAWING AND THE INFORMATION SET FORTH HEREON AT ANY TIME. USERS SHOULD INDEPENDENTLY EVALUATE THE SUITABILITY OF THE PRODUCT FOR THEIR APPLICATION.

DRAWING NO: <b>209M4XX</b>	DRAWING REV: <b>J</b>	SHT <b>2</b>
-------------------------------	--------------------------	-----------------

# Mouser Electronics

Authorized Distributor

Click to View Pricing, Inventory, Delivery & Lifecycle Information:

[TE Connectivity:](#)

[209M410-19A](#)