

4

3

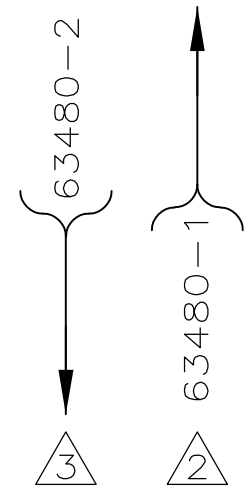
2

1

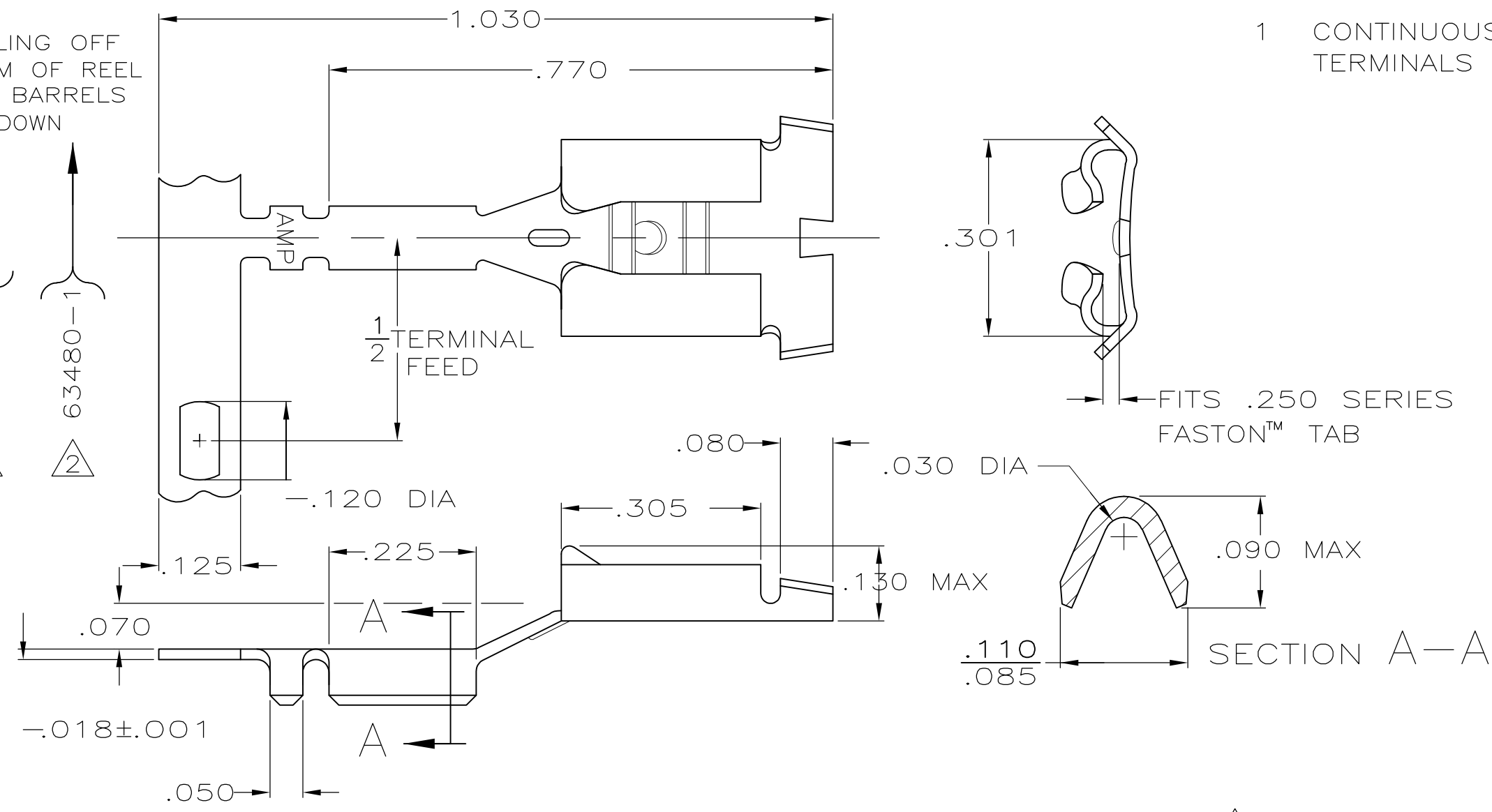
THIS DRAWING IS UNPUBLISHED. RELEASED FOR PUBLICATION  
 © COPYRIGHT - By - ALL RIGHTS RESERVED.

LOC	DIST	REVISIONS			
P	LTR	DESCRIPTION	DATE	DWN	APVD
AF	50	E	REVISE PER ECR-13-013738	28AUG14	GRZ JL

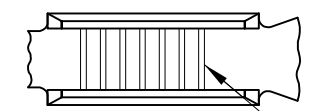
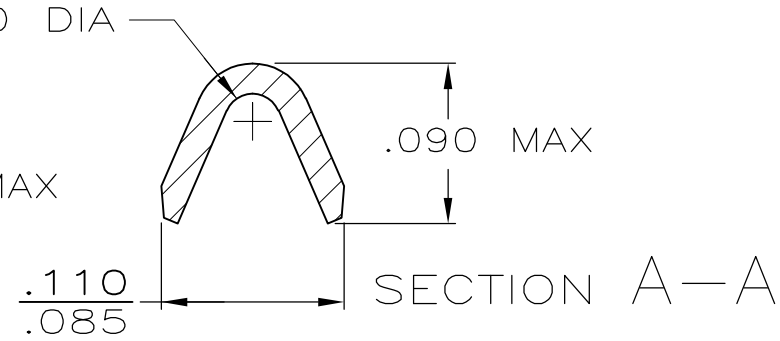
REELING OFF  
 BOTTOM OF REEL  
 WIRE BARRELS  
 DOWN



1 CONTINUOUS STRIP ON REELS WITH  
 TERMINALS LOCATED ON .620 CENTERS.



FITS .250 SERIES  
 FASTON™ TAB



7 SERRATIONS

3	.032	#27-#22 AWG	63480-2
2	MATING TAB THK ±.001	MAGNET WIRE RANGE	63480-1

THIS DRAWING IS A CONTROLLED DOCUMENT.		DWN - M.S. FEHER	11/24/87	<b>STE</b> TE Connectivity	
DIMENSIONS: INCHES		CHK - G YETTER	2/3/87		
TOLERANCES UNLESS OTHERWISE SPECIFIED:		APVD - D SCHEWNK	2/3/87	STATOR RECEPTACLE	
0 PLC ± -		PRODUCT SPEC C G ATHERTON	2/3/87	AMPLIVAR™	
1 PLC ± -		APPLICATION SPEC		SIZE	CAGE CODE
2 PLC ± -				A3	00779
3 PLC ± .010				DRAWING NO	C-63480
4 PLC ± -				RESTRICTED TO	-
ANGLES ± -		WEIGHT		SCALE	5:1
MATERIAL BRASS	FINISH PRE-TIN	CUSTOMER DRAWING		SHEET	1 OF 1
				REV	E

# Mouser Electronics

Authorized Distributor

Click to View Pricing, Inventory, Delivery & Lifecycle Information:

[TE Connectivity:](#)

[63480-2](#)