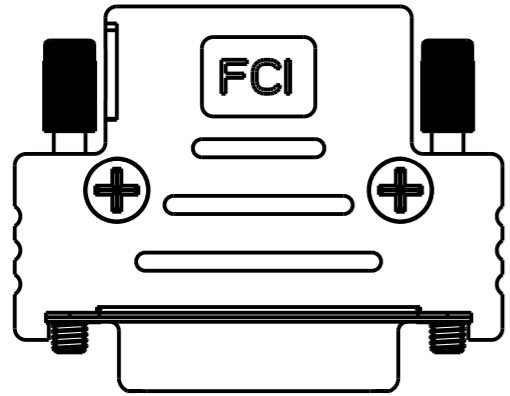
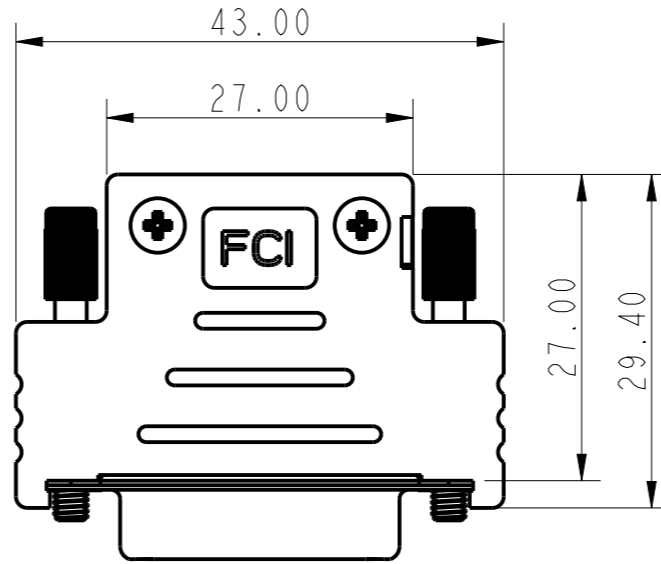
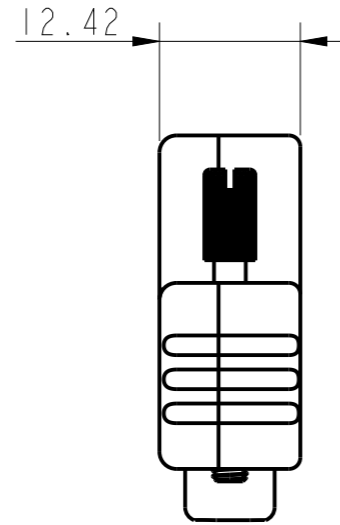
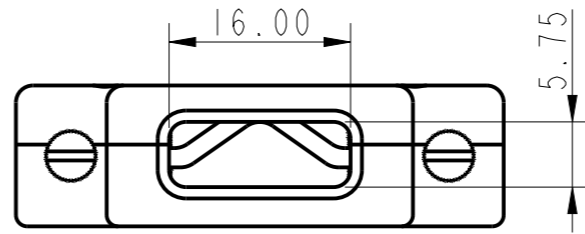


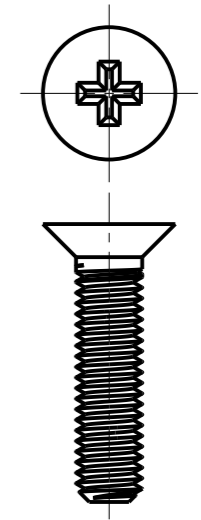
MATERIAL : Self Extinguishing UL94V0 THERMOPLASTICS
 COLOUR : BLACK
 TEMPERATURE RANGE : -55°C TO +105°C
 LOCKING SCREWS : 4-40 UNC THREAD
 ROHS COMPLIANT

PART NO : 10070163-01LF



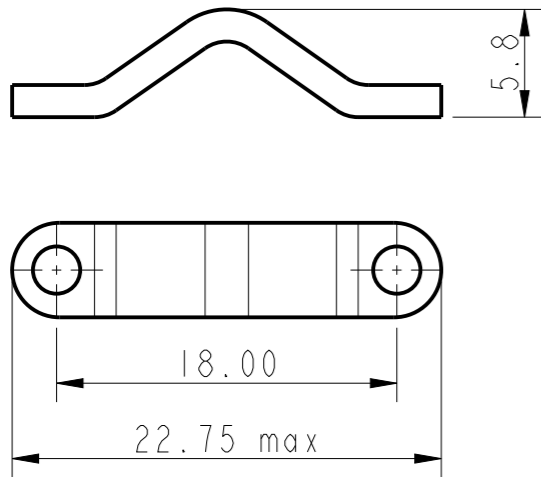
M2.5 -CLAMP SCREW FOR STRAIN RELIEF

MATERIAL: STEEL
 FINISH : Zn PASSIVATION



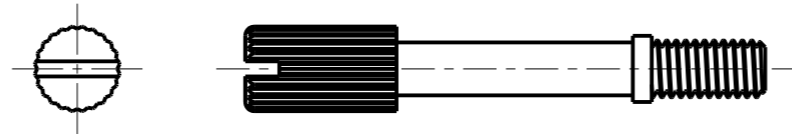
METAL CLAMP

MATERIAL : STEEL
 FINISH : Zn PASSIVATION



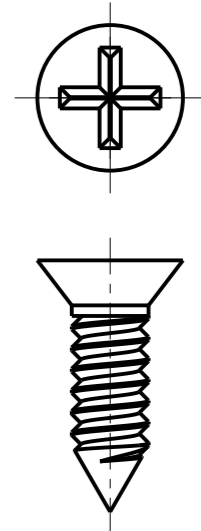
THUMB SCREW

MATERIAL : STEEL
 FINISH : NICKEL PLATING



M3-CLAMP SCREW

MATERIAL : STEEL
 FINISH : Zn PASSIVATION



Amphenol
FCi

© 2020 Amphenol Corporation

spec ref				dr	Gregar Mathew	2021/10/11	projection	mm	size	A3	scale	3:2
tolerance std	TOLERANCES UNLESS OTHERWISE SPECIFIED			eng	Gregar Mathew	2021/10/12		←→	ecn no	ELX-I-42540-1		
ISO 406 ISO 1101				chr	-	-			rel level	Released		
surface	linear	0.X	±0.3	appr	Kuriakose, San	2021/10/12	product family	-	dwg no	10070163		
ISO 1302	angular	0°	±1°				title	ST. HOOD & ACCESSORIES			rev	B
				amphenol-icc.com			cat. no.	-	Product - Customer Drw			sheet 1 of 1