

Series NDN Rail Mount Terminal Blocks

35mm DIN Rail Compatible

SPECIFICATIONS

High Density Design: Up to 48 circuits per foot

Clamping Collar: Secures wires

Large, Captive, Wire-Ready Screws: Speeds assembly

Snap-on Installation to DIN Rail: Fast, easy assembly

Fully Shielded Construction: 600V spacings

Unique One-Piece Construction: Increases reliability

Thermoplastic Moldings: Strong and impact resistant

Material: UL Recognized 94V2 thermoplastic

Collars: Heat treated stainless steel

Terminals: Tin plated copper alloy

Screws: Zinc plated steel

Agency Information: UL/CSA; CE Certified



NDNF1
Single pole
fuseholder accepts
13/32" x 1-1/2"
fuses

NDN1/NDN111
Heavy-duty
90 Amp block

NDN63
Accepts wires larger
than standard
control circuits

NDN3
Space saving
3-pole unit

NDNV4
High Density
48 circuits per foot

NDNA200
Universal aluminum
35mm DIN mounting rail

Series NDN Terminal Block Accessories

Inches (Millimeters)



NDNA
35mm DIN Rail
Aluminum
NDNA 100 1 meter
NDNA 200 2 meters



NDNAS
35mm DIN Rail
End Stop



NFTA
C-Rail
Aluminum
Lengths to 72"



NRA
C-Rail
Low Profile
No Flange
Aluminum
Lengths to 37-1/2"



SOA72
72" Long
Stand-Off Channel
For C-Rail



MASKING TAPE
See Series
Specifications



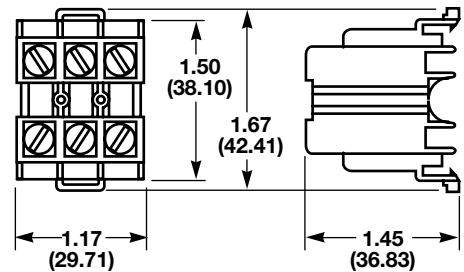
JUMPERS
See Series
Specifications

Rail Mount Terminal Blocks

NDN63

SPECIFICATIONS:

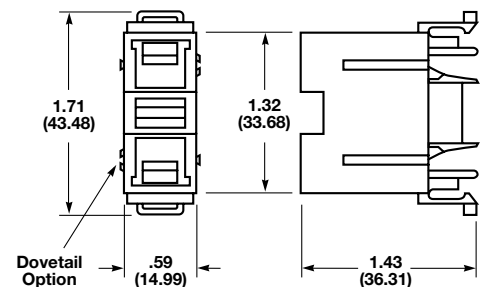
Rating: 65A, 600V; UL/CSA
Center Spacing: .375" (9.52 mm)
Number Of Poles: 3
Circuits Per Foot: 30
Circuit Jumper: JN3, 2 circuits
Wire Range: AWG #6-18 CU
Screw Size: #10-32
Mounting Options: 35mm DIN rail, C-rail
Marking Tape: MT12-1/2
Torque Rating: 35 in-lb
Operating Temperature: 105°C



NDN1

SPECIFICATIONS:

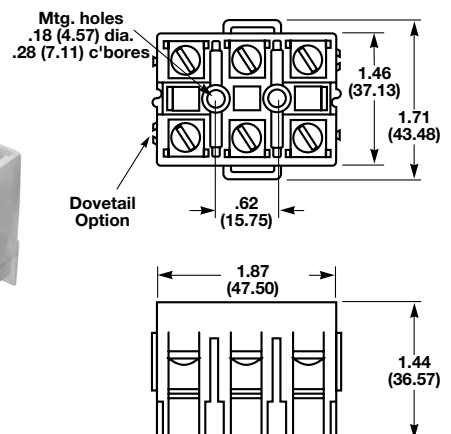
Rating: 90A, 600V
Center Spacing: .635" (16.13 mm)
Number Of Poles: 1
Circuits Per Foot: 18
Wire Range: AWG #2-18 CU
Screw Size: #1/4-28
Mounting Options: 35mm DIN rail, C-rail
 * Dove-tail option is available for mounting side-by-side.
 Order part no. NDN1-A
Marking Tape: MT12-1/2
Torque Rating: 32 in-lb
Operating Temperature: 105°C



NDN111

SPECIFICATIONS:

Rating: 90A, 600V; UL/CSA
Center Spacing: .635" (16.13 mm)
Number Of Poles: 3
Circuits Per Foot: 18
Circuit Jumper: JN1, 2 circuits
Wire Range: AWG #2-18 CU
Screw Size: #1/4-28
Mounting Options: 35mm DIN rail, C-rail, Base Mount
 * Dove-tail option is available for mounting side-by-side.
 Order part no. NDN111-A
Marking Tape: MT12-1/2
Torque Rating: 32 in-lb
Operating Temperature: 105°C

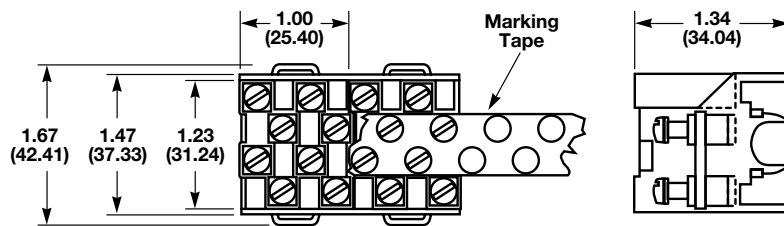


Rail Mount Terminal Blocks

NDNV4

SPECIFICATIONS:

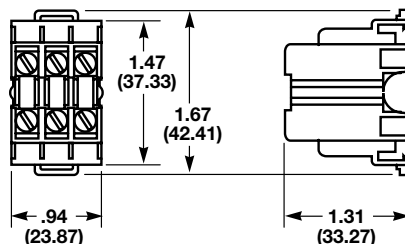
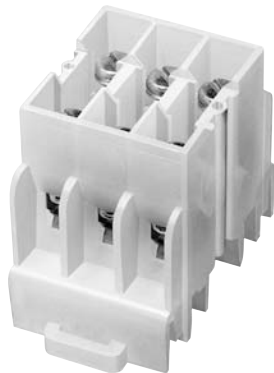
Rating: NDNV4 30A, 600V; UL/CSA
Center Spacing: .250" (6.35mm)
Number Of Poles: 4
Circuits Per Foot: 48
Circuit Jumper: JN4, 4 circuits
Wire Range: AWG #10-22 CU
Screw Size: #6-32
Mounting Options: 35mm DIN rail, C-rail
Marking Tape: MTC6
Torque Rating: 18 in-lb
Operating Temperature: 105°C



NDN3

SPECIFICATIONS:

Rating: 30A - field wiring; 40A - factory wiring
 600V; UL/CSA
Center Spacing: .300" (7.62 mm)
Number Of Poles: 3
Circuits Per Foot: 38
Circuit Jumper: JNDN3, 2 circuits
Wire Range: AWG #10-22 CU
Screw Size: #6-32
Mounting Options: 35mm DIN rail, C-rail
Marking Tape: MT12-1/2
Torque Rating: 18 in-lb
Operating Temperature: 105°C

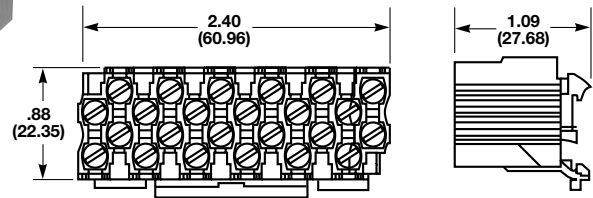


Rail Mount Terminal Blocks

N512

SPECIFICATIONS:

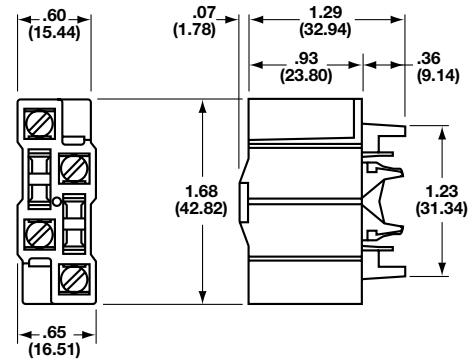
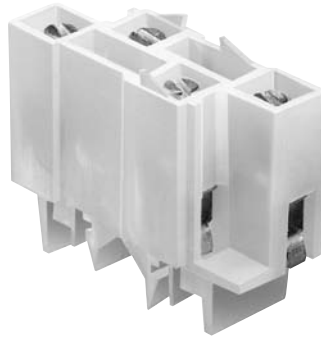
Rating: 5A, 600V; UL/CSA
 20A, 300V; UL/CSA
Center Spacing: .197" (5.00 mm)
Number Of Poles: 12
Circuits Per Foot: 60
Circuit Jumper: JN512, 12 circuits
Wire Range: AWG #12-22 CU
Screw Size: #4-48
Mounting Options: C-rail, 15mm DIN rail
Marking Tape: AT512
Torque Rating: 12 in-lb
Operating Temperature: 105°C



NFT2

SPECIFICATIONS:

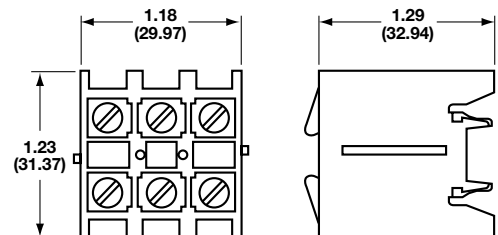
Rating: 40A, 600V; UL/CSA;
 55A Factory Wired
Center Spacing: .281" (7.13 mm)
Number Of Poles: 2
Circuits Per Foot: 38
Circuit Jumper: JN2, 2 circuits
Wire Range: AWG #8-22 CU
Screw Size: #8-32
Mounting Options: C-rail
Marking Tape: MT12-1/2
Torque Rating: 18 in-lb
Operating Temperature: 105°C



NFT3

SPECIFICATIONS:

Rating: 40A, 600V; UL/CSA
 55A Factory Wired
Center Spacing: .390" (9.91 mm)
Number Of Poles: 3
Circuits Per Foot: 28
Circuit Jumper: JN3, 2 circuits
Wire Range: AWG #8-22 CU
Screw Size: #8-32
Mounting Options: C-rail
Marking Tape: MT12-1/2
Torque Rating: 18 in-lb
Operating Temperature: 105°C

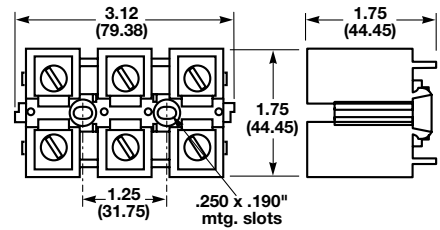


Rail & Base Mount Terminal Blocks

NC3

SPECIFICATIONS:

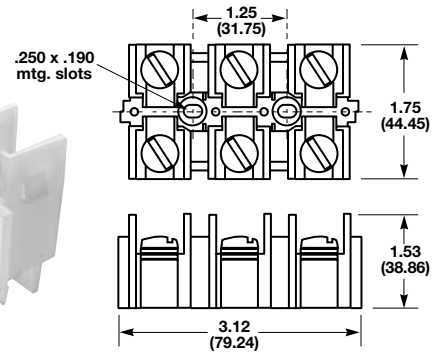
Rating: 175A, 600V; UL/CSA
Center Spacing: 1.06" (26.92 mm)
Number Of Poles: 3
Circuits Per Foot: 11
Wire Range: 2/0-#14 CU/AL
Screw Size: 5/16-24
Mounting Options: C-rail, Base Mount
Marking Tape: MT12-1/2
Torque Rating: 45 in-lb
Operating Temperature: 105°C



NSE3

SPECIFICATIONS:

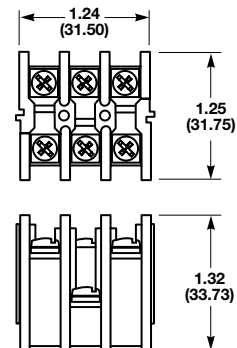
Rating: 115A, 600V; UL/CSA
Center Spacing: 1.06" (26.92 mm)
Number Of Poles: 3
Circuits Per Foot: 11
Circuit Jumper: JNSE3, 2 circuits
Wire Range: For use with wire crimped to ring terminal
Screw Size: #1/4-28
Mounting Options: C-rail, Base Mount
Marking Tape: MT12-1/2
Torque Rating: 32 in-lb
Operating Temperature: 105°C



NSS3

SPECIFICATIONS:

Rating: 30A, 600V; UL/CSA
Center Spacing: .385" (9.77 mm)
Number Of Poles: 3
Circuits Per Foot: 28
Circuit Jumper: JNSS3, 2 circuits
Wire Range: For use with wire crimped to ring terminal
Screw Size: #6-32
Mounting Options: C-rail
Marking Tape: MT12-1/2
Torque Rating: 12 in-lb
Operating Temperature: 105°C

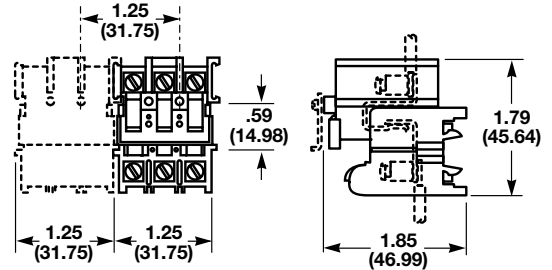


Depluggable Rail Mount Terminal Blocks

PLU3

SPECIFICATIONS:

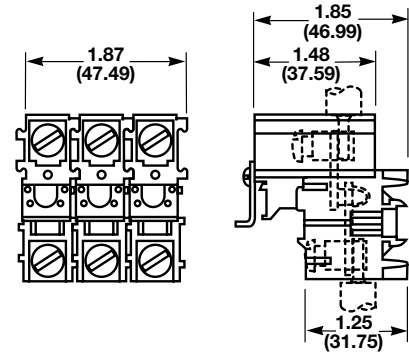
Rating: 40A, 600V; UL/CSA
Center Spacing: .390" (9.91 mm)
Number Of Poles: 3
Circuits Per Foot: 28
Circuit Jumper: JN3, 2 circuits
Wire Range: AWG #8-22 CU
Screw Size: #8-32
Mounting Options: C-rail, Stackable
Marking Tape: MT12-1/2
Torque Rating: 18 in-lb
Operating Temperature: 105°C



PLU1 Series

SPECIFICATIONS:

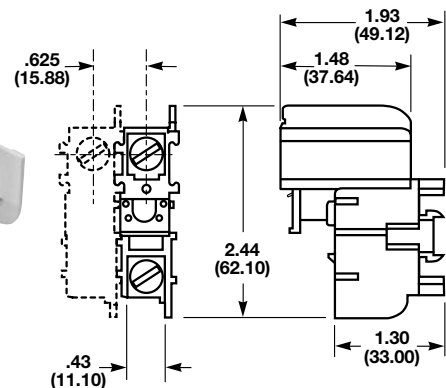
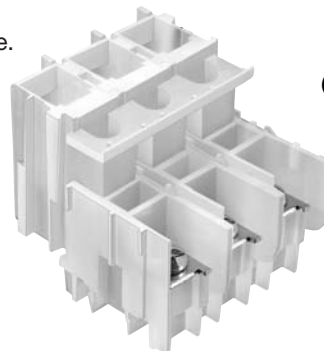
Rating: 70A, 600V; UL/CSA
Center Spacing: .625" (15.88 mm)
Number Of Poles: 1-3
 PLU1 (1 pole)
 PLU11 (2 pole)
 PLU111 (3 pole)
Circuits Per Foot: 19
Circuit Jumper: JN1, 2 circuits
Wire Range: AWG #4-18 CU
Screw Size: #1/4-28
Mounting Options: C-rail, Stackable
Marking Tape: MT12-1/2
Torque Rating: 32 in-lb
Operating Temperature: 105°C



PSU1 Series

SPECIFICATIONS:

Rating: 45A*, 600V; UL/CSA
 *45A rating achieved with ring terminal crimped to wire.
Center Spacing: .625" (15.88 mm)
Number Of Poles: 1-3
 PSU1 (1 pole)
 PSU11 (2 pole)
 PSU111 (3 pole)
Circuits Per Foot: 19
Wire Range: For use with crimp on connectors only.
Screw Size: #10-32
Mounting Options: C-rail, Stackable
Marking Tape: MT12-1/2
Torque Rating: 24 in-lb
Operating Temperature: 105°C



Mouser Electronics

Authorized Distributor

Click to View Pricing, Inventory, Delivery & Lifecycle Information:

Eaton:

[NDNF1-BK](#) [PLU111-WH](#) [NC3-BK](#) [NDNF1-WH](#) [NDN111-BK](#) [NDNV4-WH](#) [PLU3-WH](#) [NFT3-WH](#) [NDN111-WH](#)
[PLU1-WH](#) [NC3-WH](#) [NDN3-YE](#) [NDNV4-YE](#) [NDN63-YE](#) [NFTA36](#) [NDN1-WH](#) [NFTA72](#) [NDN63-WH](#) [NFT2-WH](#)
[NDNA200](#) [NDN3-WH](#) [N512-BK](#) [PLU11-WH](#)