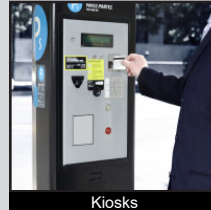
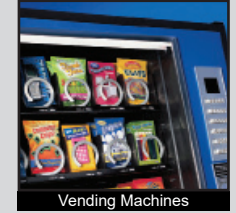
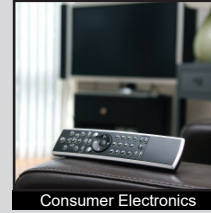


ULP SERIES PUSHBUTTON SWITCH

ANTI-VANDAL SWITCHES
DETECTOR SWITCHES
DIP SWITCHES
KEYLOCK SWITCHES
NAVIGATION SWITCHES
PUSHBUTTON SWITCHES
ROCKER SWITCHES
ROTARY SWITCHES
SLIDE SWITCHES
SNAP ACTION SWITCHES
TACTILE SWITCHES
TOGGLE SWITCHES
CAP OPTIONS



APPLICATIONS / MARKETS



RoHS

SPECIFICATIONS

Electrical Rating: Silver: .5A @ 25VDC
Gold: 0.1A Max @ 28VDC
Electrical Life: 200,000 Cycles
Contact Resistance: Silver: 50mΩ Max. initial
Gold: 100mΩ Max. initial
Insulation Resistance: 100 MΩ Min. @ 500VDC
Dielectric Strength: 1,000VAC
Operating/Storage Temperature: -40°C to 85°C
Travel: 2.20mm
Contact Arrangement: SPDT, DPDT
Actuation Force: SPDT: 200gf; DPDT: 300 gf
Panel Thickness: 0.75-3.0mm (panel mount version only)

FEATURES & BENEFITS

- Single pole or double pole functions
- Multiple color options including RGB color
- Multiple cap color and style options
- PC pin or solder lug termination
- Latching or momentary options
- Gold or silver contact material

PART NUMBER CONFIGURATOR

Series	Circuit Options	Mechanical Configuration Options	Termination Options	Contact Material Options	Cap Style Options	Cap Color Options	LED #1 Options	LED #2 Options
ULP	12- SPDT 22 - DPDT	EE - Latching OA - Momentary	P1 - PC Pins M1- Solder Lug	Q - Silver R - Gold	SS - Square Sculptured SF - Square Flat RF - Rectangular Flat PM - Panel Mount LS - Large Sculptured	CL1 - Clear Lens / White Diffuser OP1 - Black Opaque	NIL - No LED BLU - Blue GRN - Green RED - Red YEL - Yellow RGB - Red-Blue-Green	NIL - No LED BLU - Blue GRN - Green RED - Red YEL - Yellow

NOTES:
1) M1 Termination is only available with Panel Mount Cap Style
2) P1 Termination is not available with Panel Mount cap Style
3) OP1 Cap Color (black opaque) is not available with LEDs
4) When ordering RGB LED option, no designation is required for LED#2

Specifications subject to change without notice



E-SWITCH®

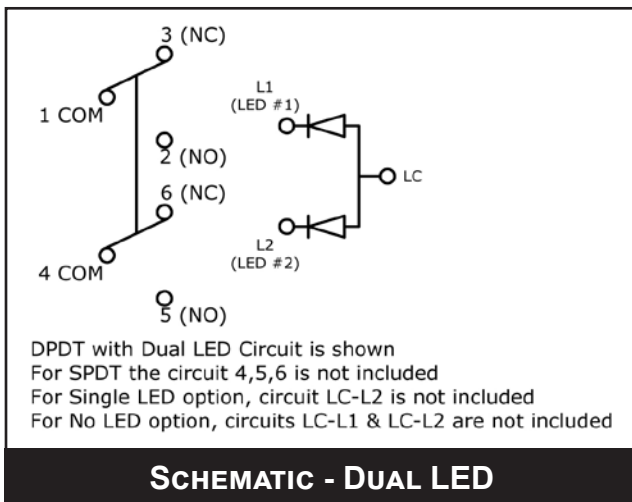
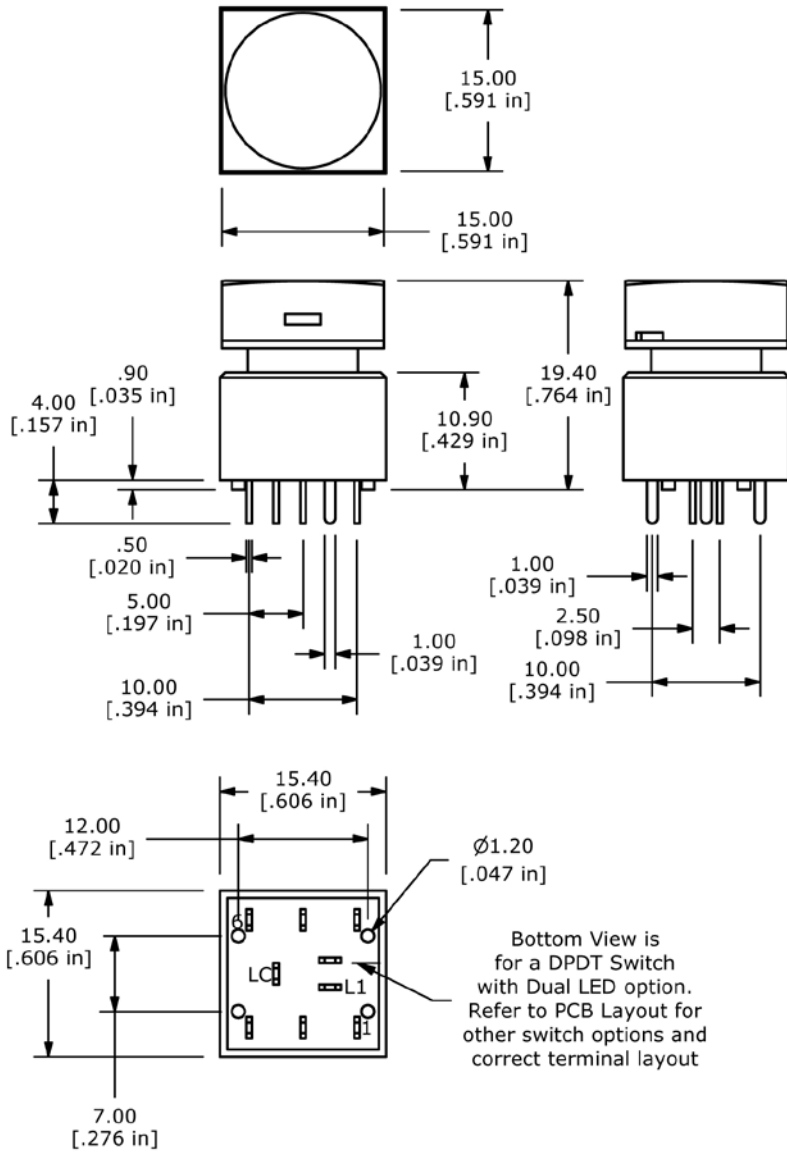
www.e-switch.com

800.867.2717

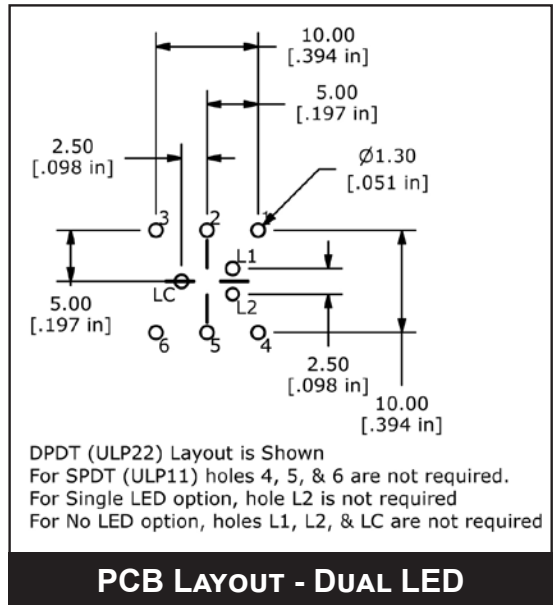
2

ULP SERIES PUSHBUTTON SWITCH

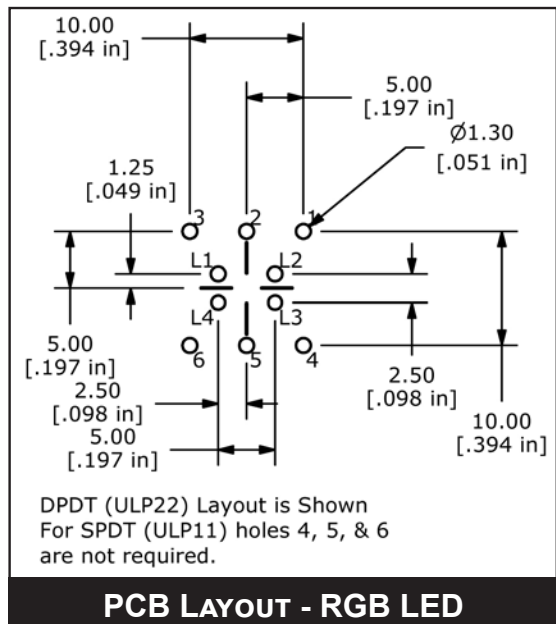
ACTUATOR OPTIONS - SQUARE SCULPTURED



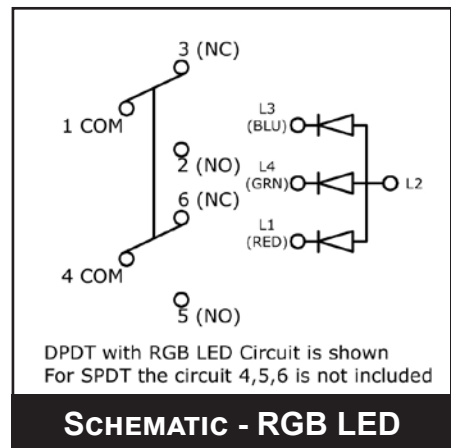
SCHEMATIC - DUAL LED



PCB LAYOUT - DUAL LED



PCB LAYOUT - RGB LED



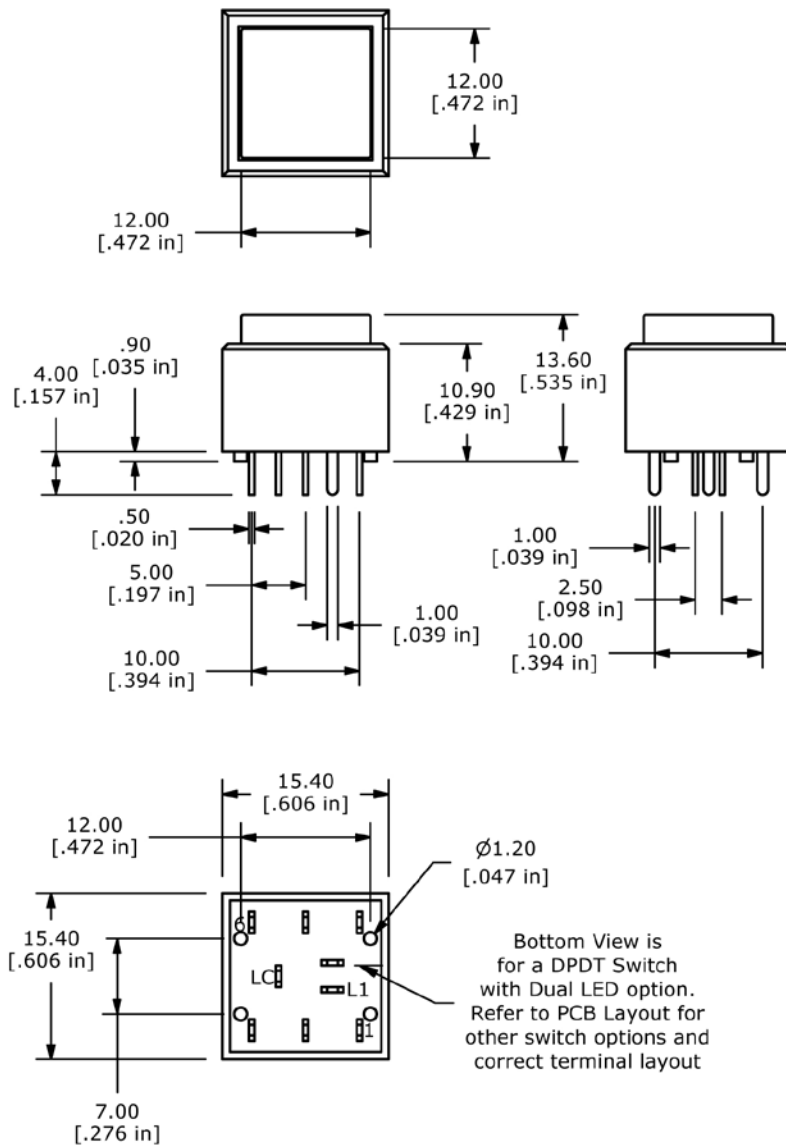
SCHEMATIC - RGB LED



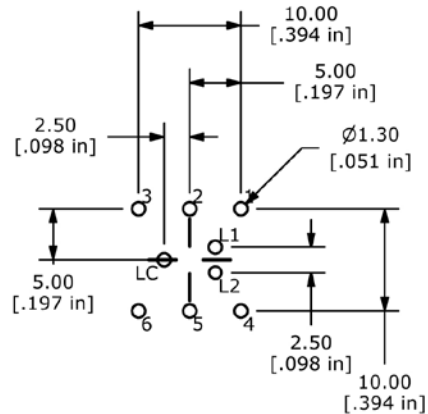
ANTI-VANDAL SWITCHES
DETECTOR SWITCHES
DIP SWITCHES
KEYLOCK SWITCHES
NAVIGATION SWITCHES
PUSHBUTTON SWITCHES
ROCKER SWITCHES
ROTARY SWITCHES
SLIDE SWITCHES
SNAP ACTION SWITCHES
TACTILE SWITCHES
TOGGLE SWITCHES
CAP OPTIONS

ULP SERIES PUSHBUTTON SWITCH

ACTUATOR OPTIONS - SQUARE FLAT

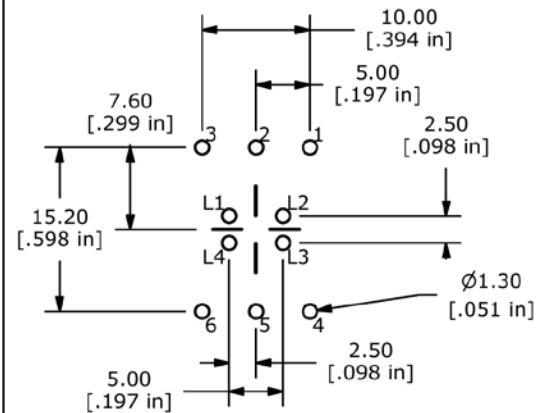


Bottom View is for a DPDT Switch with Dual LED option. Refer to PCB Layout for other switch options and correct terminal layout



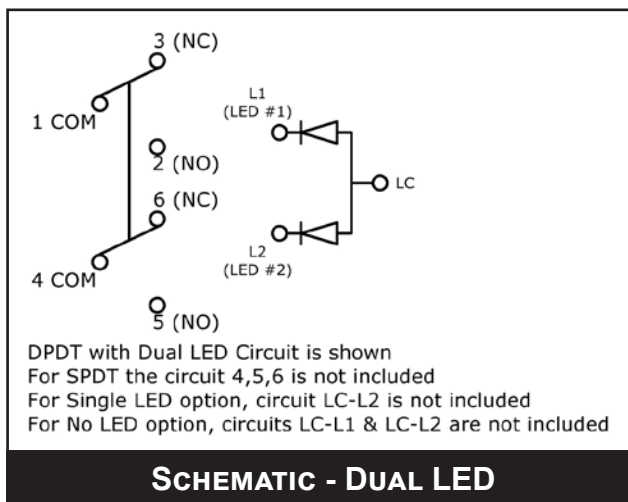
DPDT (ULP22) Layout is Shown
For SPDT (ULP11) holes 4, 5, & 6 are not required.
For Single LED option, hole L2 is not required
For No LED option, holes L1, L2, & LC are not required

PCB LAYOUT - DUAL LED

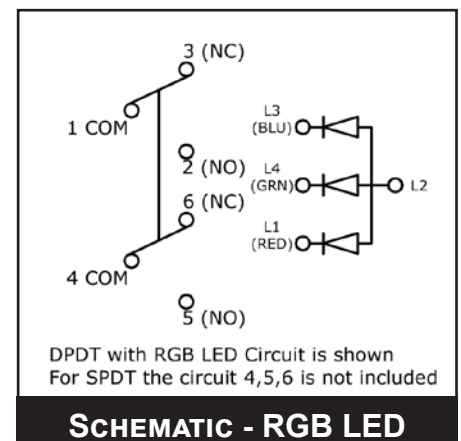


DPDT (ULP22) Layout is Shown
For SPDT (ULP11) holes 4, 5, & 6 are not required.

PCB LAYOUT - RGB LED



SCHEMATIC - DUAL LED

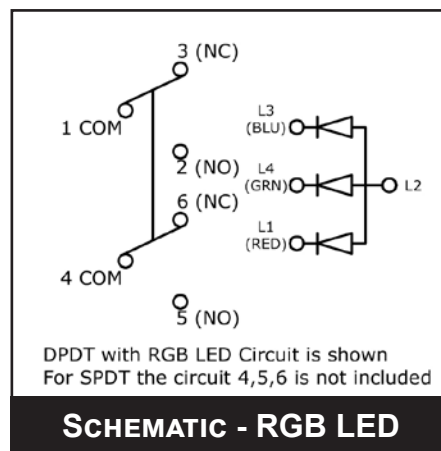
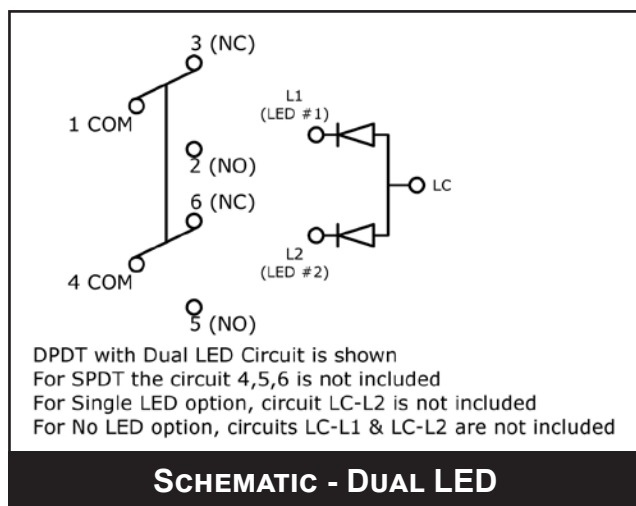
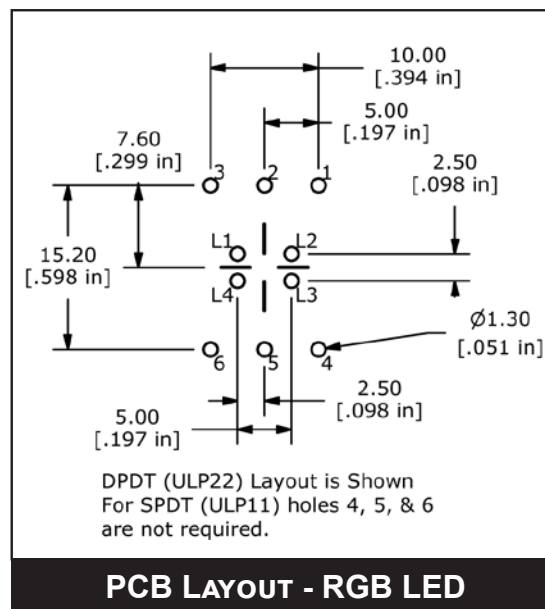
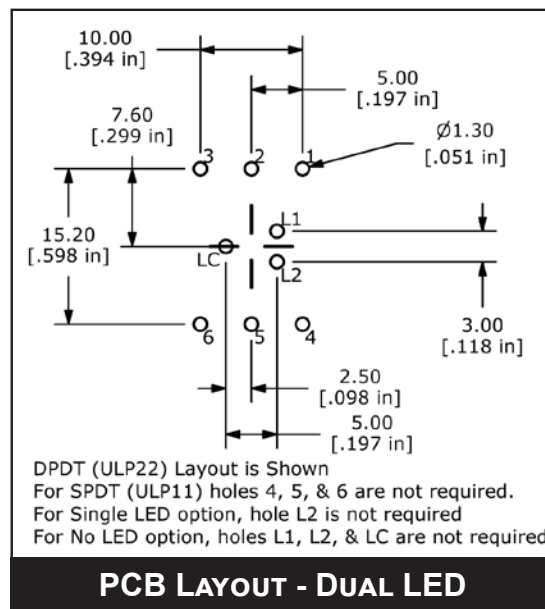
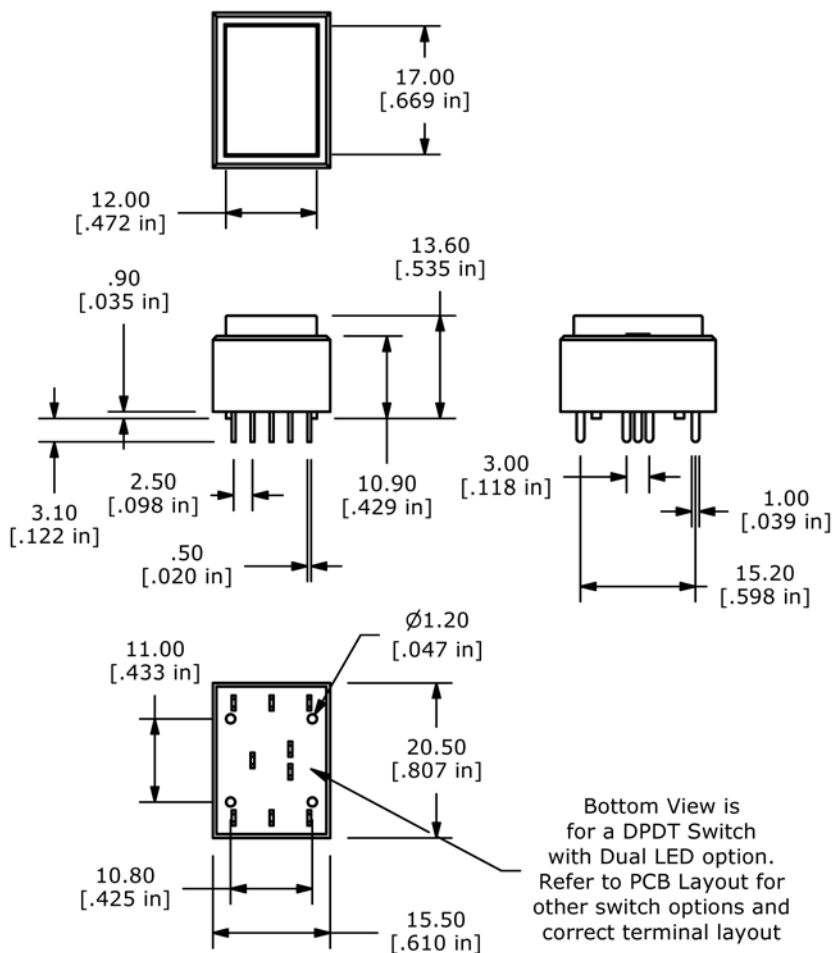


SCHEMATIC - RGB LED



ULP SERIES PUSHBUTTON SWITCH

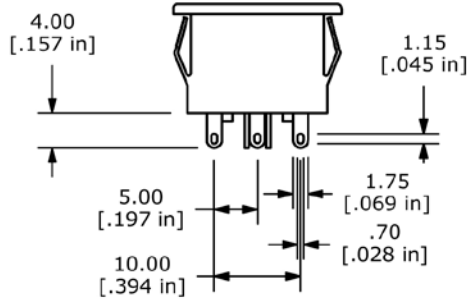
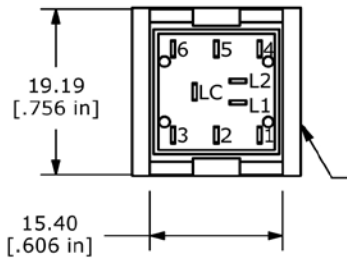
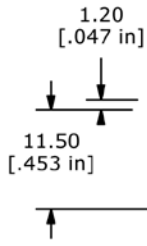
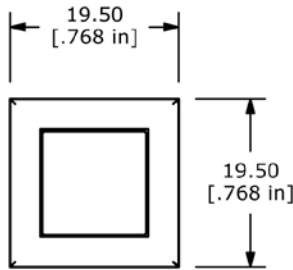
ACTUATOR OPTIONS - RECTANGULAR FLAT



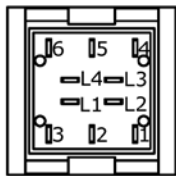
ANTI-VANDAL SWITCHES
DETECTOR SWITCHES
DIP SWITCHES
KEYLOCK SWITCHES
NAVIGATION SWITCHES
PUSHBUTTON SWITCHES
ROCKER SWITCHES
ROTARY SWITCHES
SLIDE SWITCHES
SNAP ACTION SWITCHES
TACTILE SWITCHES
TOGGLE SWITCHES
CAP OPTIONS

ULP SERIES PUSHBUTTON SWITCH

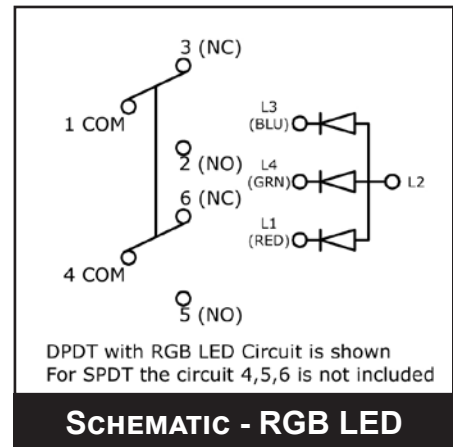
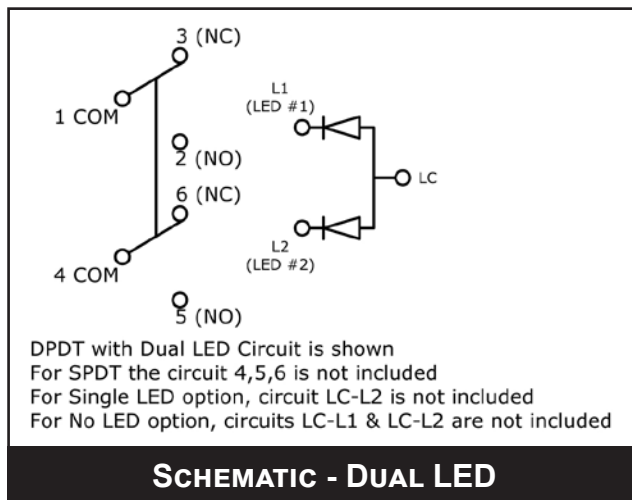
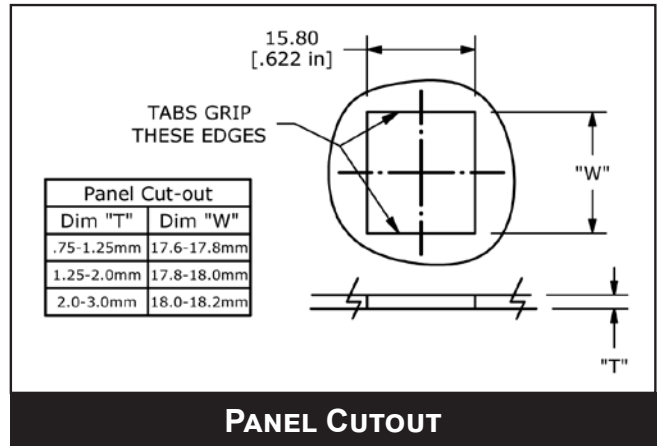
ACTUATOR OPTIONS - PANEL MOUNT



Bottom View of a DPDT Switch with Dual LED option. Refer to Schematic for one LED, zero LED, and SPST options and correct terminal layout.

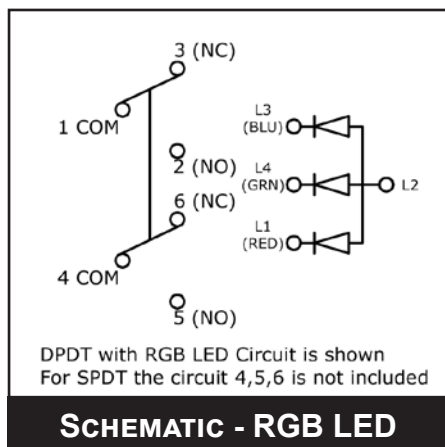
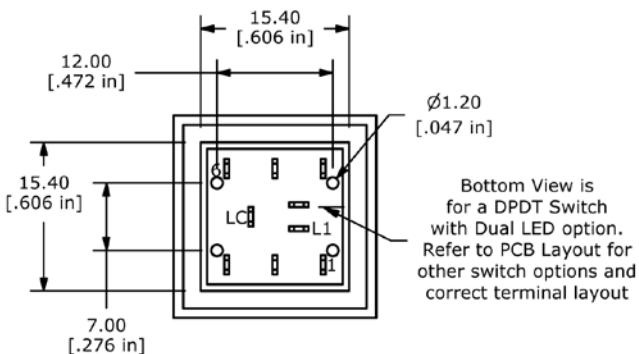
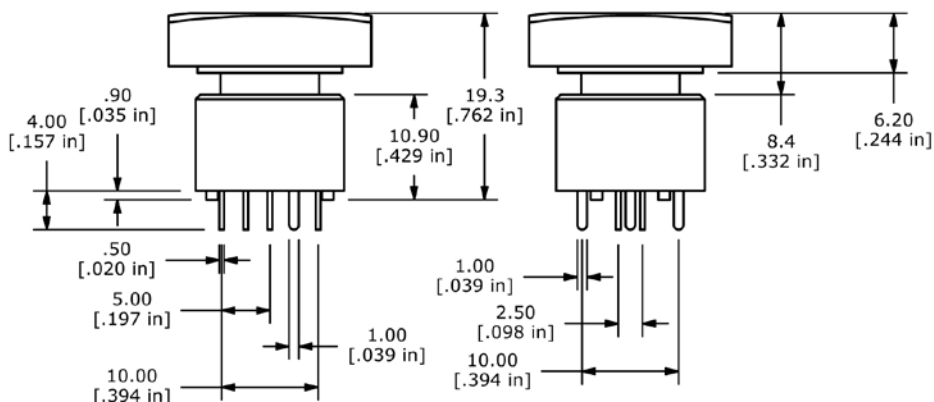
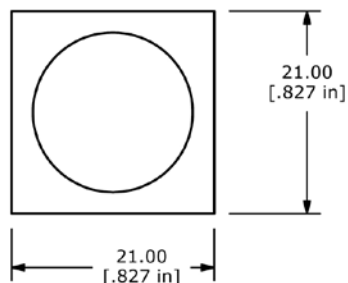


Bottom View of a DPDT Switch with RGB LED option. Refer to Schematic for SPST option and correct terminal layout.

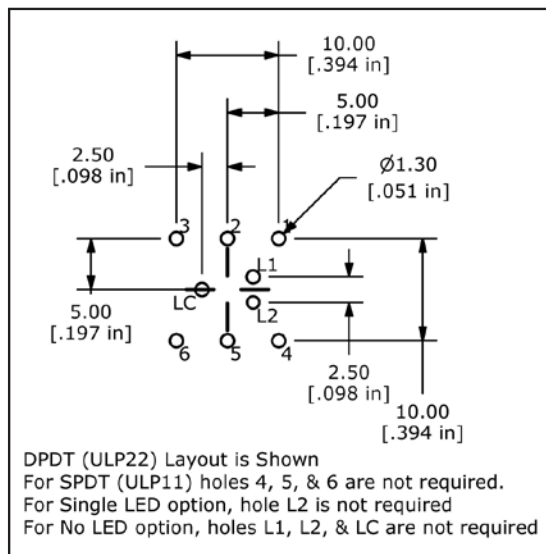


ULP SERIES PUSHBUTTON SWITCH

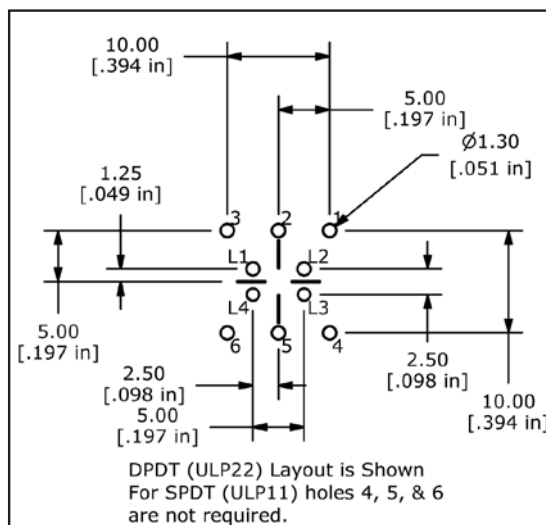
ACTUATOR OPTIONS - LARGE SCULPTURED



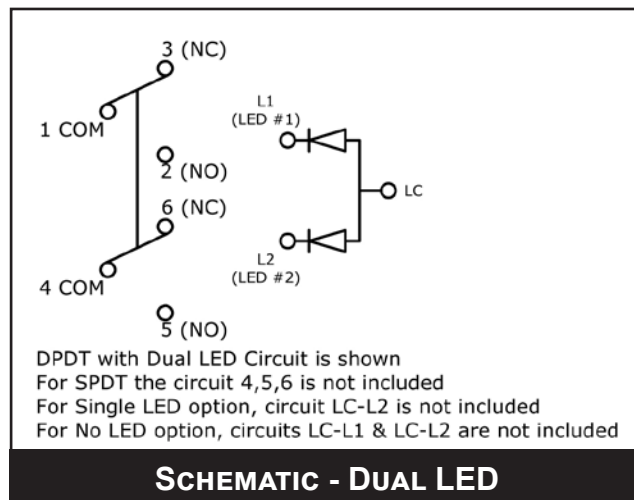
SCHEMATIC - RGB LED



PCB LAYOUT - DUAL LED



PCB LAYOUT - RGB LED



SCHEMATIC - DUAL LED



ANTI-VANDAL SWITCHES
DETECTOR SWITCHES
DIP SWITCHES
KEYLOCK SWITCHES
NAVIGATION SWITCHES
PUSHBUTTON SWITCHES
ROCKER SWITCHES
ROTARY SWITCHES
SLIDE SWITCHES
SNAP ACTION SWITCHES
TACTILE SWITCHES
TOGGLE SWITCHES
CAP OPTIONS

Mouser Electronics

Authorized Distributor

Click to View Pricing, Inventory, Delivery & Lifecycle Information:

E-Switch:

[ULP12OAP1RSS1RGB](#) [ULP12OAP1RRFCL1BLUBLU](#) [ULP12OAP1RSSCL1GRNNIL](#) [ULP12OAP1RSSCL1REDNIL](#)
[ULP22EEM1RPMCL1REDGRN](#) [ULP22OAM1QPMCL1BLURED](#) [ULP22OAM1RPMCL1REDBLU](#)
[ULP12EEP1QSSCL1REDGRN](#) [ULP12EEP1QSSCL1REDNIL](#) [ULP12EEP1RSSCL1BLUGRN](#)
[ULP12OAP1QRFCL1REDGRN](#) [ULP12OAP1QSFCL1BLUBLU](#) [ULP12OAP1QSFCL1REDGRN](#)
[ULP12OAP1QSSCL1GRNNIL](#) [ULP12OAP1QSSCL1REDNIL](#) [ULP12OAP1RRFCL1NILNIL](#)
[ULP12OAP1RSSCL1BLUNIL](#) [ULP12OAP1RSSCL1BLURED](#) [ULP12OAP1RSSCL1REDGRN](#)
[ULP22EEP1QSSCL1GRNRED](#) [ULP22EEP1QSSCL1REDNIL](#) [ULP22EEP1RSSCL1GRNNIL](#)
[ULP22EEP1RSSCL1GRNRED](#) [ULP22OAP1QRFCL1REDGRN](#) [ULP22OAP1QSFCL1REDGRN](#)
[ULP22OAP1QSSCL1GRNRED](#) [ULP22OAP1RSSCL1GRNRED](#) [ULP12OAP1RSSCL1RGB](#)
[ULP12OAM1RPMCL1REDGRN](#) [ULP12OAM1RPMCL1YELBLU](#) [ULP22EEM1QPMCL1BLURED](#)
[ULP12OAM1QPMCL1REDGRN](#) [ULP12EEP1QSSCL1GRNNIL](#) [ULP12EEP1QSFCL1YELRED](#)
[ULP22OAP1QSSCL1YELYEL](#) [ULP12OAP1QSSCL1YELNIL](#) [ULP12OAM1QPMCL1REDYEL](#)
[ULP12OAP1RSSCL1YELNIL](#) [ULP12OAM1QPMCL1GRNNIL](#) [ULP12OAP1QSFCL1BLUNIL](#)
[ULP22EEP1RSSCL1WHTRED](#) [ULP12OAP1RSFCL1RGB](#)