

Accessories to TA45



Approvals and Compliances

Description

- Covers for IP 54 or IP 65
- Locking device
- Flat gaskets
- Raised collar

Weblinks


[pdf datasheet](#), [html-datasheet](#), [General Product Information](#), [Distributor-Stock-Check](#), [Detailed request for product](#), [Product News](#)

Approvals and Compliances

Detailed information on product approvals, code requirements, usage instructions and detailed test conditions can be looked up in [Details about Approvals](#)

Application standards

Application standards where the product can be used

Organization	Design	Standard	Description
	Designed for applications acc.	IEC/UL 60950	IEC 60950-1 includes the basic requirements for the safety of information technology equipment.

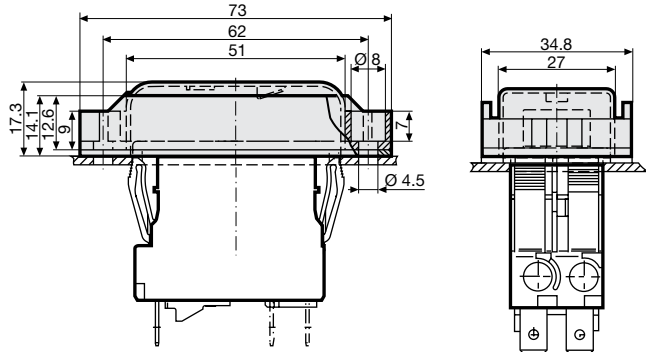
Compliances

The product complies with following Guide Lines

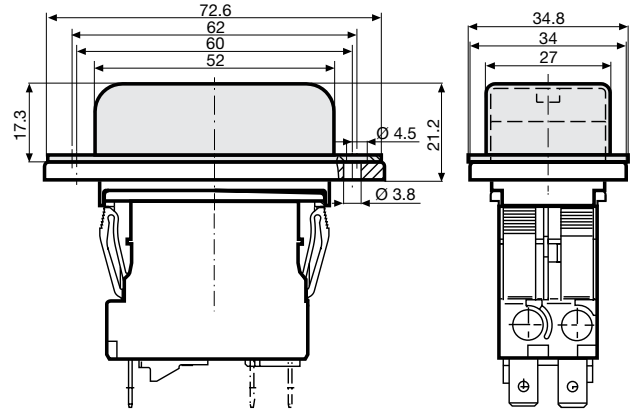
Identification	Details	Initiator	Description
	REACH	SCHURTER AG	On 1 June 2007, Regulation (EC) No 1907/2006 on the Registration, Evaluation, Authorization and Restriction of Chemicals 1 (abbreviated as "REACH") entered into force.

Dimension [mm]

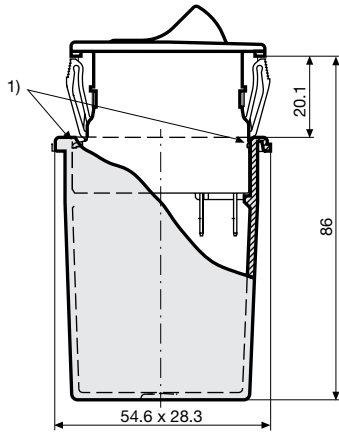
AZZ04



AZZ05

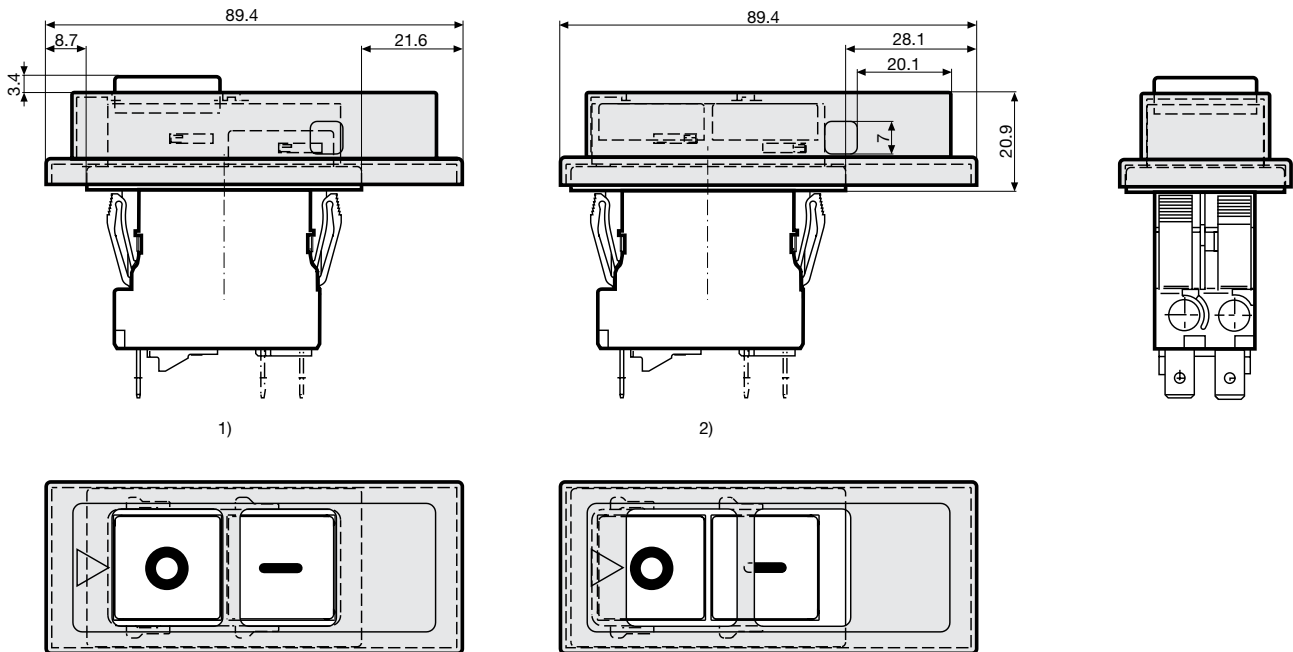


AZZ51



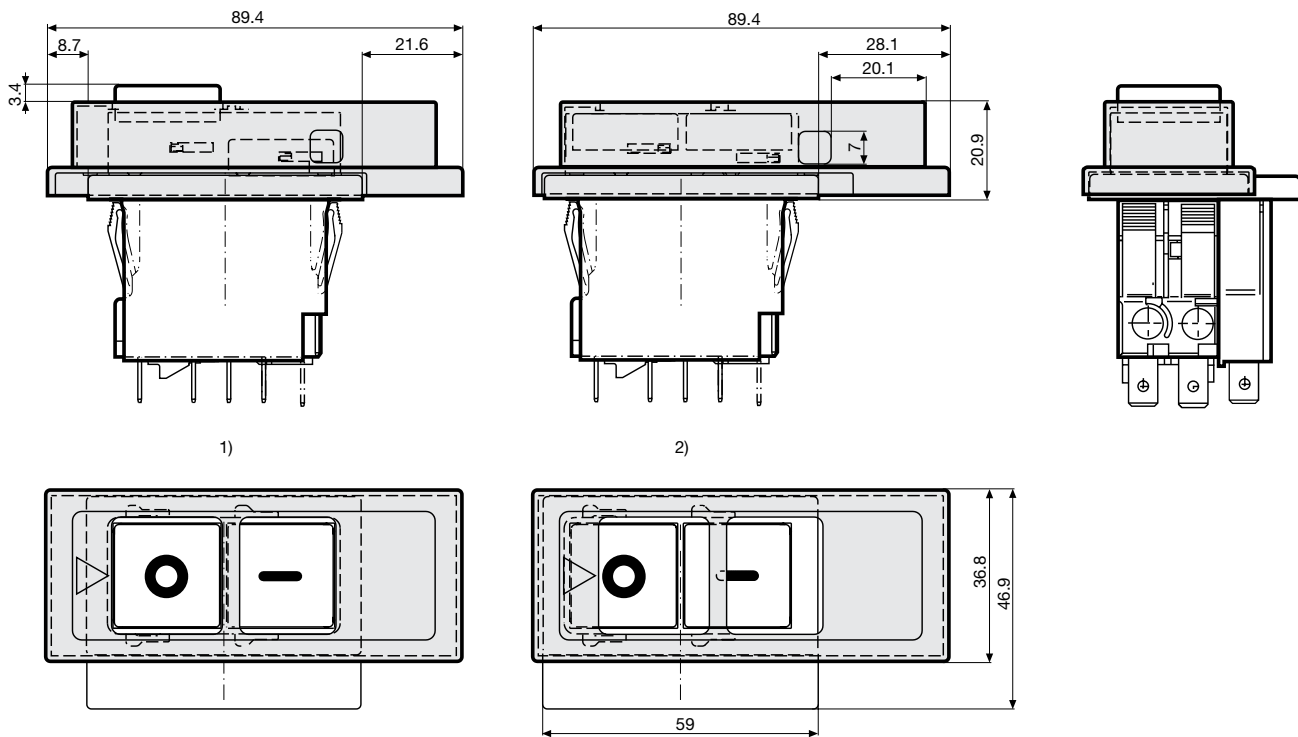
Snap-on fastener

AZZ71 / AZZ72



- 1) CBE switchable
- 2) CBE not switchable

AZZ81 / AZZ82



- 1) CBE switchable
- 2) CBE not switchable

All Variants

Suitable for	Type	Description	Poles	Degree of Protection	Mounting	Order Number
TA45-2P, TA45-3P, TA45-2PU, TA45-3PU, TA45-2PA, TA45-3PA, TA45-2PAU, TA45-3PAU	CBE TA45-AZZ63	Flat gasket for screw-on type	2 or 3 pole	IP 54	-	4430.0439
TA45-2P, TA45-2PU	CBE TA45-AZZ61	Flat gasket	2-pole	IP 54	Snap-in version	4430.0499
TA45-3P, TA45-3PU, TA45-2PA, TA45-3PA, TA45-2PAU, TA45-3PAU	CBE TA45-AZZ62	Flat gasket	2 or 3 pole	IP 54	Snap-in version	4430.0502
TA45-2P, TA45-2R, TA45-2PU, TA45-2RU	CBE TA45-AZZ51	Rear cover	2-pole	IP 40	Snap-in or flange mounted	4430.0519
TA45-2R, TA45-2RU, TA45-2RA, TA45-2RAU	CBE TA45-AZZ31	Flat gasket	2-pole	IP 54	-	4430.0685
TA45-2R, TA45-2RU, TA45-2RA, TA45-2RAU	CBE TA45-AZZ04	Screw-on collar with cover, 2 pole	2-pole	IP 65	-	4430.0695
TA45-2P, TA45-3P, TA45-2PU, TA45-3PU, TA45-2PA, TA45-3PA, TA45-2PAU, TA45-3PAU	CBE TA45-AZZ05	Screw-on cover	2 or 3 pole	IP 65	Flange type	4430.0835
TA45-2P, TA45-2PU	CBE TA45-AZZ71	Locking device black, safety-lock type	2-pole	-	Snap-in version	4430.1625
TA45-2P, TA45-2PU	CBE TA45-AZZ72	Locking device yellow, safety-lock type	2-pole	-	Snap-in version	4430.2074
TA45-3P, TA45-3PU, TA45-2PA, TA45-3PA, TA45-2PAU, TA45-3PAU	CBE TA45-AZZ82	Locking device yellow, safety-lock type	2 or 3 pole	-	Snap-in version	4430.2075
TA45-3R, TA45-3RU, TA45-3RA, TA45-3RAU	CBE TA45-AZZ21	Screw-on collar with cover, black	3-pole	-	-	4430.3371
TA45-3R, TA45-3RU, TA45-3RA, TA45-3RAU	CBE TA45-AZZ26	Screw-on collar with cover, yellow	3-pole	-	-	4430.3372
TA45-3P, TA45-3PU, TA45-2PA, TA45-3PA, TA45-2PAU, TA45-3PAU	CBE TA45-AZZ81	Locking device black, safety-lock type	2 or 3 pole	-	Snap-in version	4430.3534

 Most Popular.

Availability for all products can be searched real-time: <https://www.schurter.com/en/Stock-Check/Stock-Check-SCHURTER>

Packaging Unit 1 Pcs

Mouser Electronics

Authorized Distributor

Click to View Pricing, Inventory, Delivery & Lifecycle Information:

Schurter:

[4430.0439](#) [4430.0499](#) [4430.0519](#) [4430.0685](#) [4430.0695](#) [4430.0835](#) [4430.1625](#)