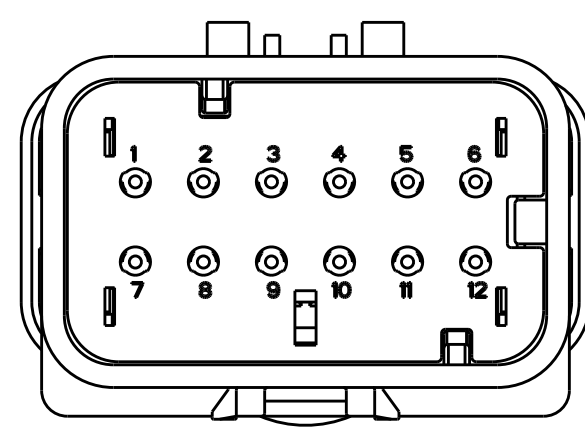
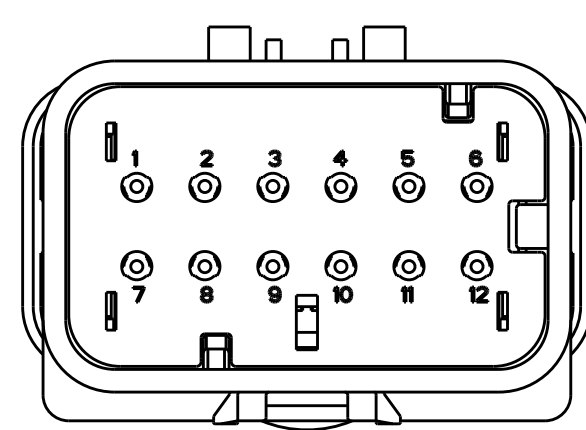


THIS DRAWING IS UNPUBLISHED
 RELEASED FOR PUBLICATION
 COPYRIGHT 20 BY - ALL RIGHTS RESERVED.

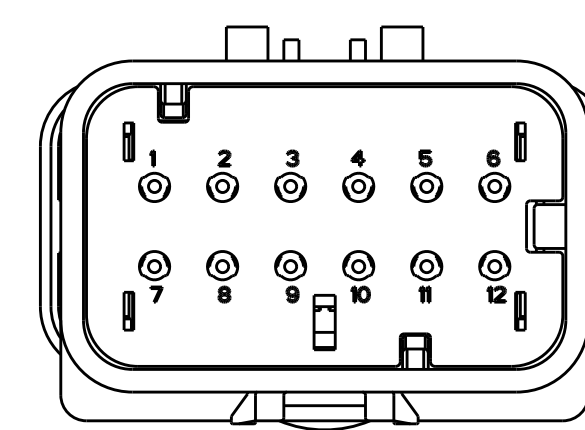
REVISIONS					
P	LTR	DESCRIPTION	DATE	DWN	APVD
B3		REVISED PER ECO-11-005030	11MAR2011	RK	HMR
C		REVISED PER ECO-13-019231	09DEC2013	DR	RB



776539-2
SCALE 2:1

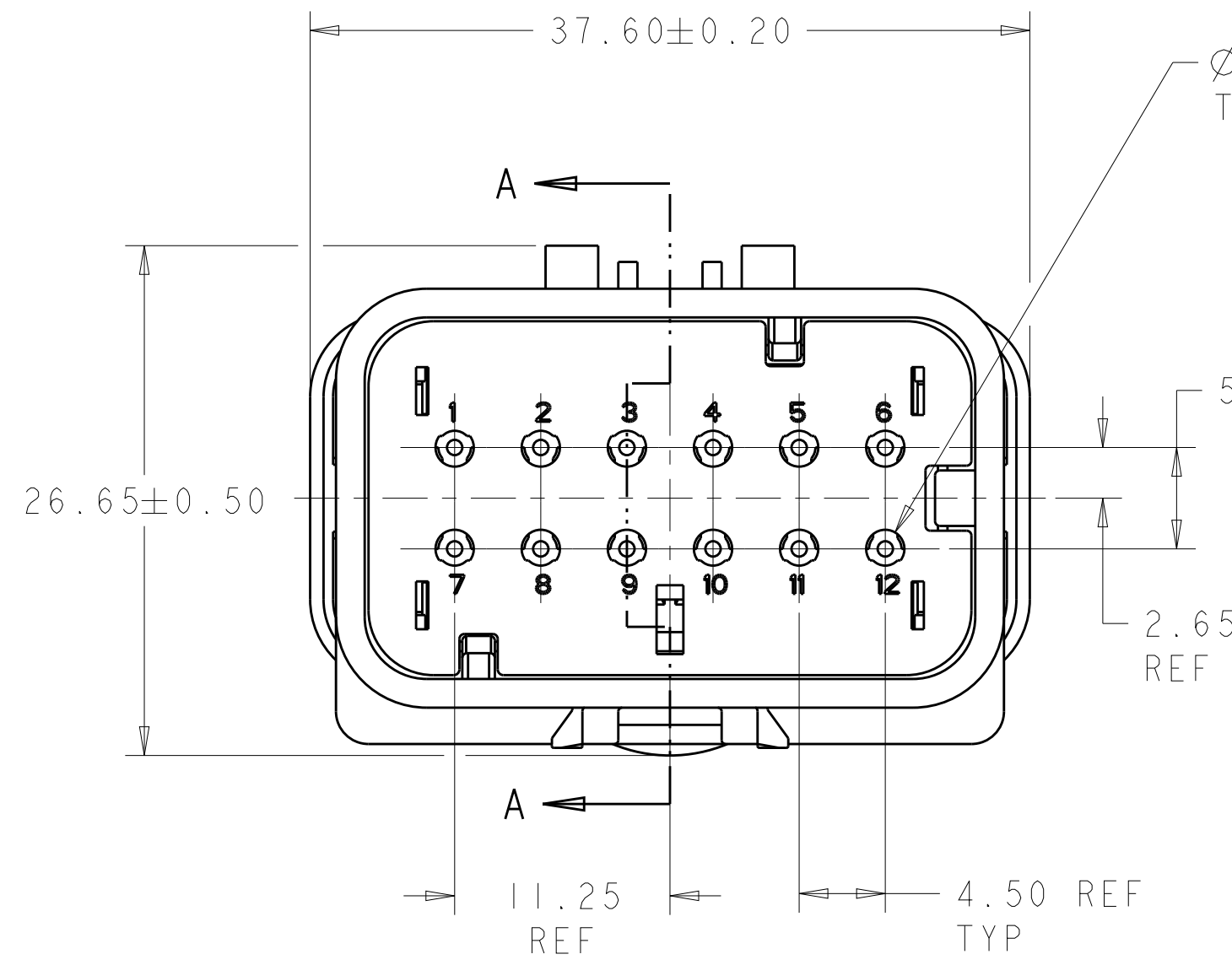


776539-3
SCALE 2:1

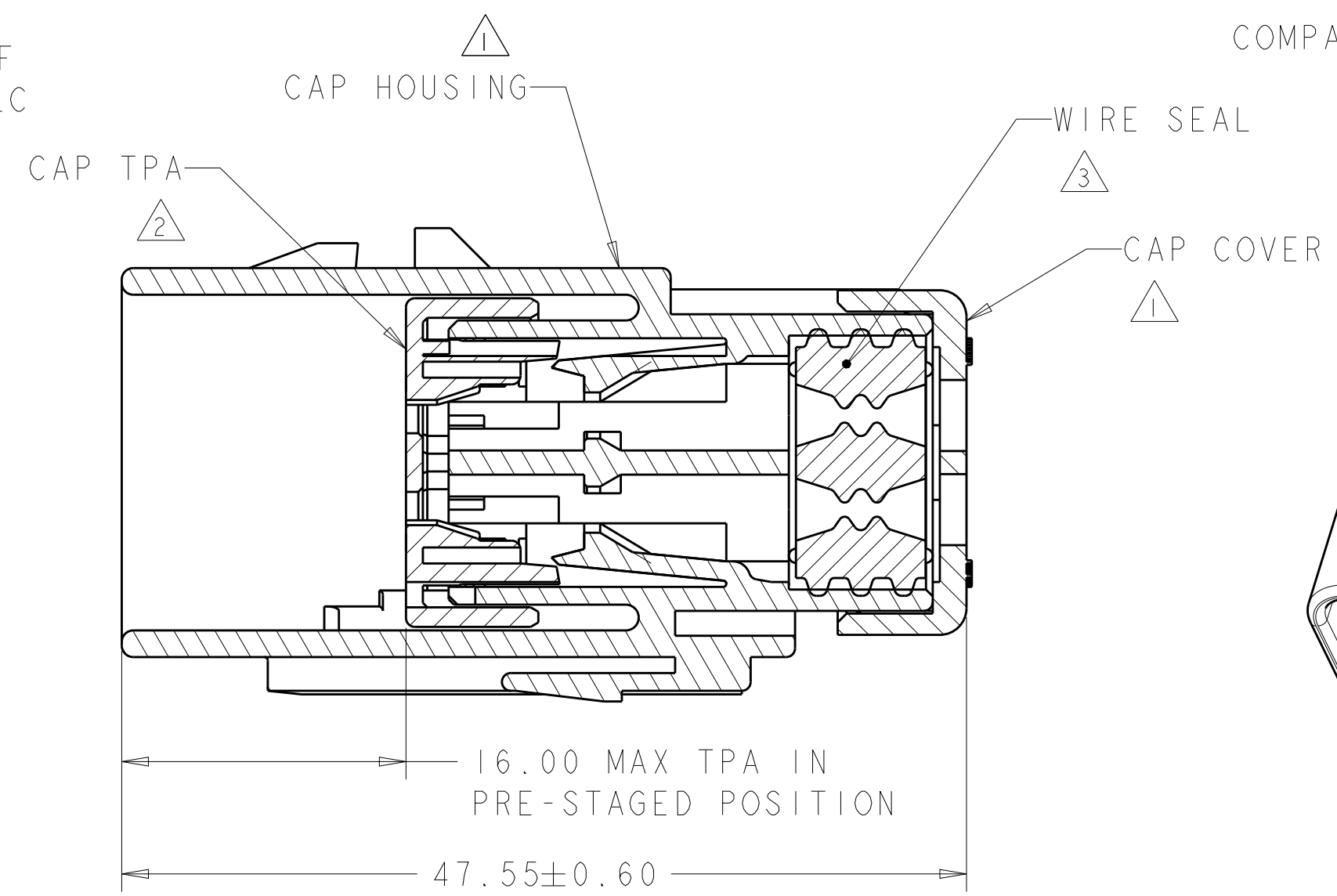


776539-4
SCALE 2:1

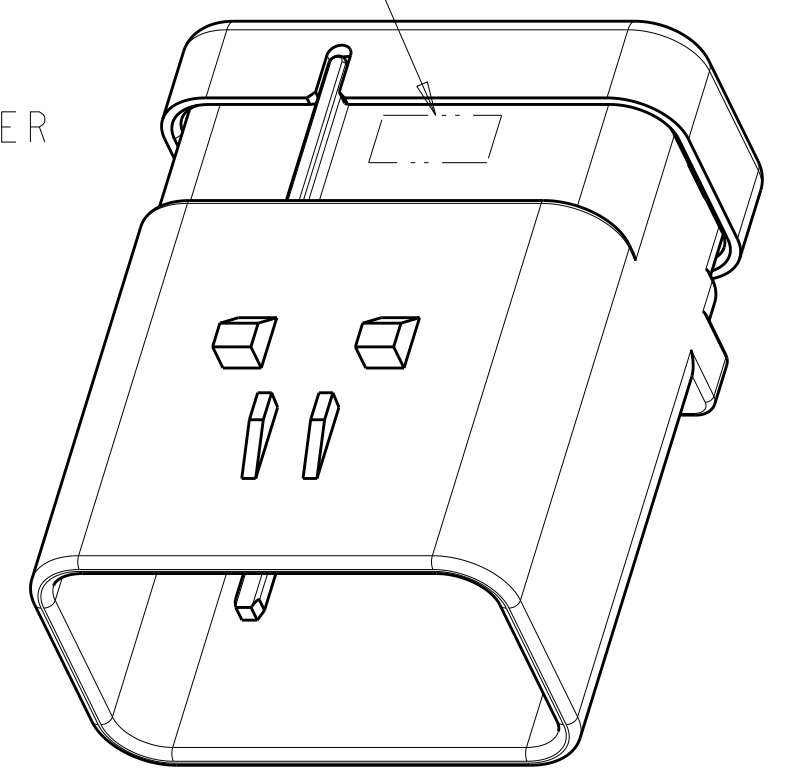
- 1 MATERIAL: 15% GLASS FILLED THERMOPLASTIC
COLOR: BLACK
 - 2 MATERIAL: 15% GLASS FILLED THERMOPLASTIC
COLOR: (SEE TABLE)
 - 3 MATERIAL: SILICONE
COLOR: RUST
4. RECOMMENDED WIRE DIAMETER RANGE IS 1.30 TO 2.54mm



776539-1 SHOWN



SECTION A-A



SCALE 2:1

GREEN	776539-4
YELLOW	776539-3
GRAY	776539-2
RED	776539-1
TPA COLOR	PART NUMBER

THIS DRAWING IS A CONTROLLED DOCUMENT.		DWN W. HOELSCHER 04SEP2003	TE Connectivity	
DIMENSIONS: mm		CHK J. PATTERSON 04SEP2003		
TOLERANCES UNLESS OTHERWISE SPECIFIED:		APVD D. KLEIN 04SEP2003	NAME CAP ASSEMBLY, 12 POSITION, 2 ROW, AMPSEAL 16 CONNECTOR REDUCED DIA WIRE SEAL	
0 PLC	±	PRODUCT SPEC	SIZE	CAGE CODE
1 PLC	±	108-2184	A200779	C-776539
2 PLC	±	APPLICATION SPEC	SCALE	SHEET
3 PLC	±	114-13065	2:1	OF
4 PLC	±	WEIGHT	Customer Drawing	REV
ANGLES	±	22.5		C
FINISH	-			

Mouser Electronics

Authorized Distributor

Click to View Pricing, Inventory, Delivery & Lifecycle Information:

[TE Connectivity:](#)

[776539-4](#)