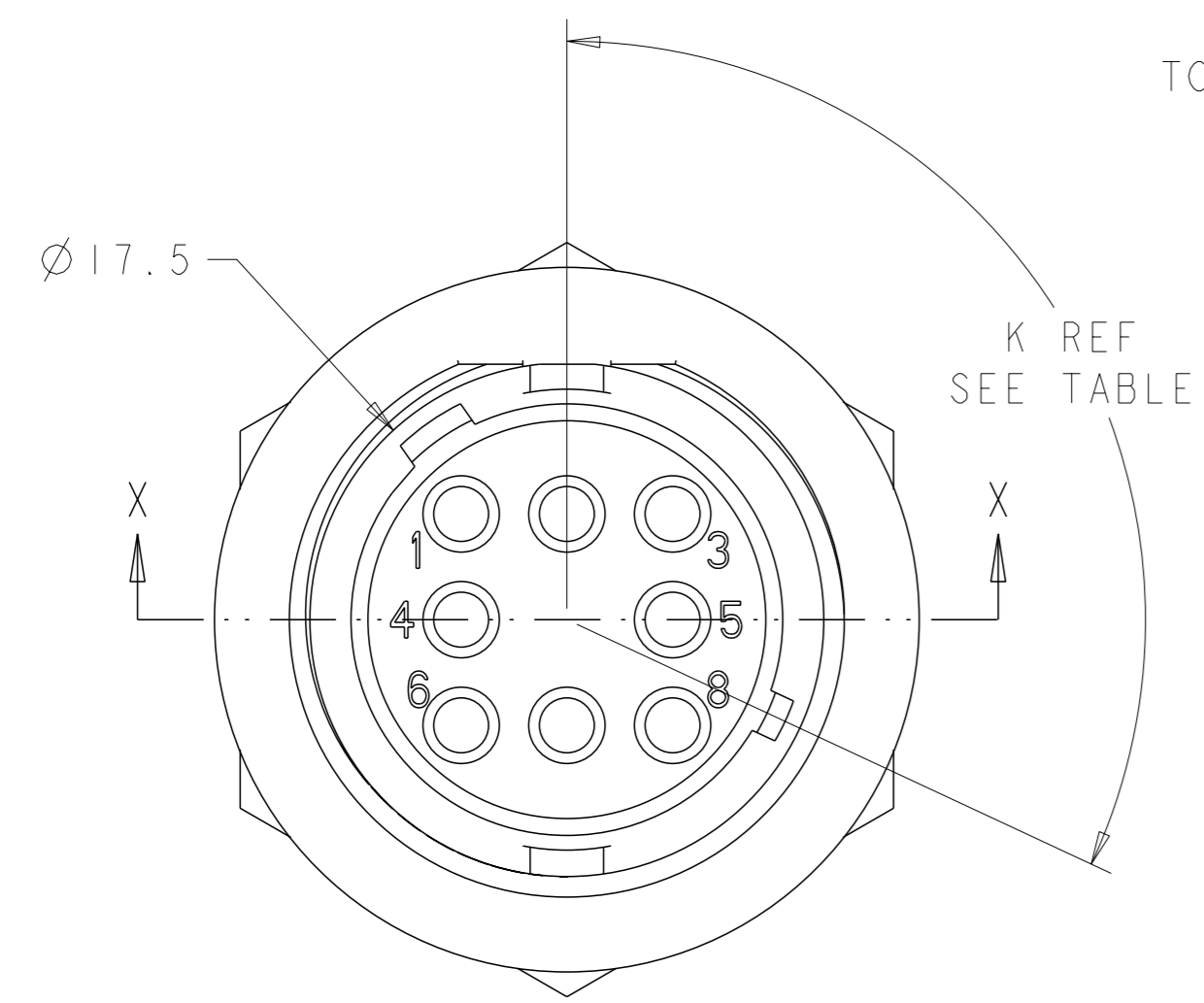
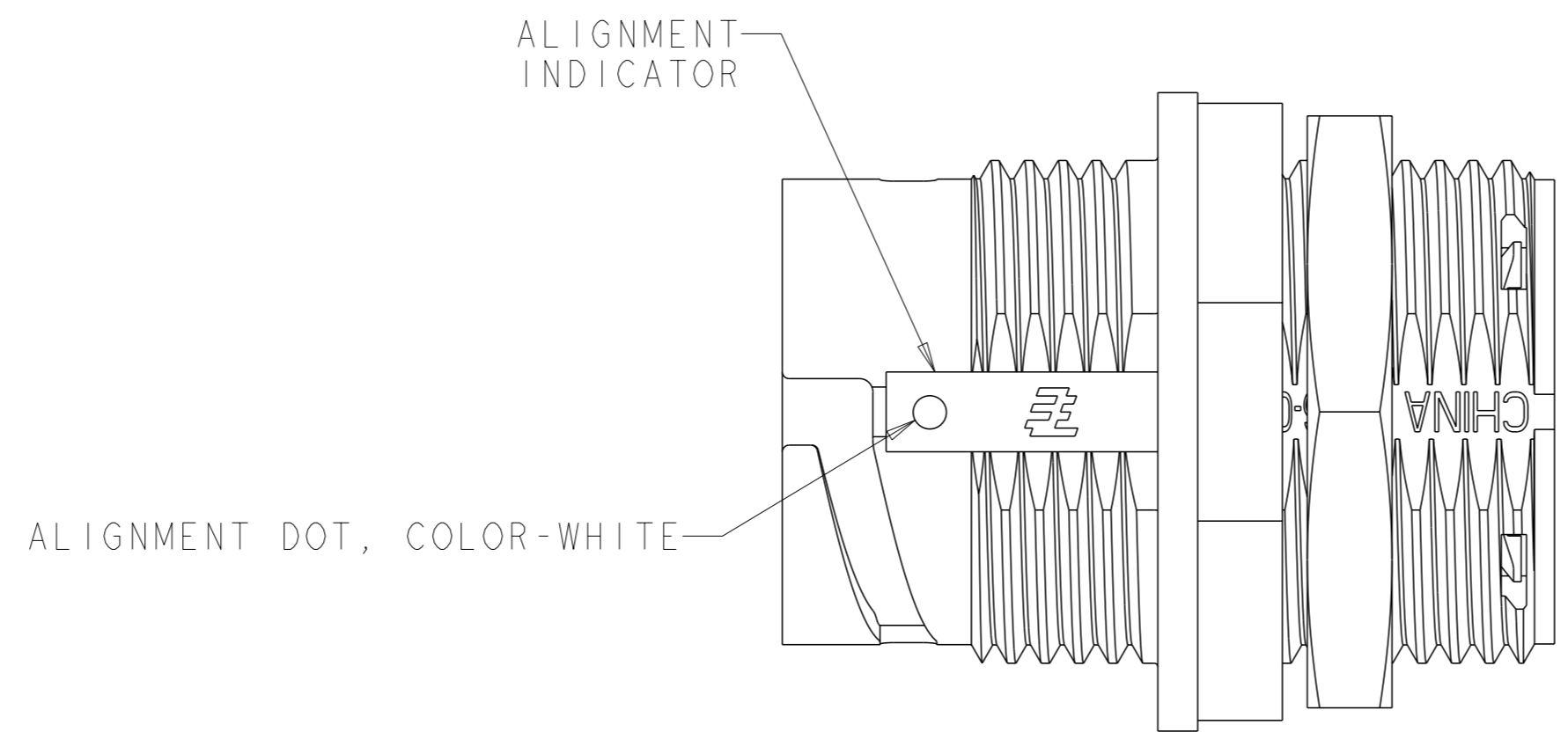
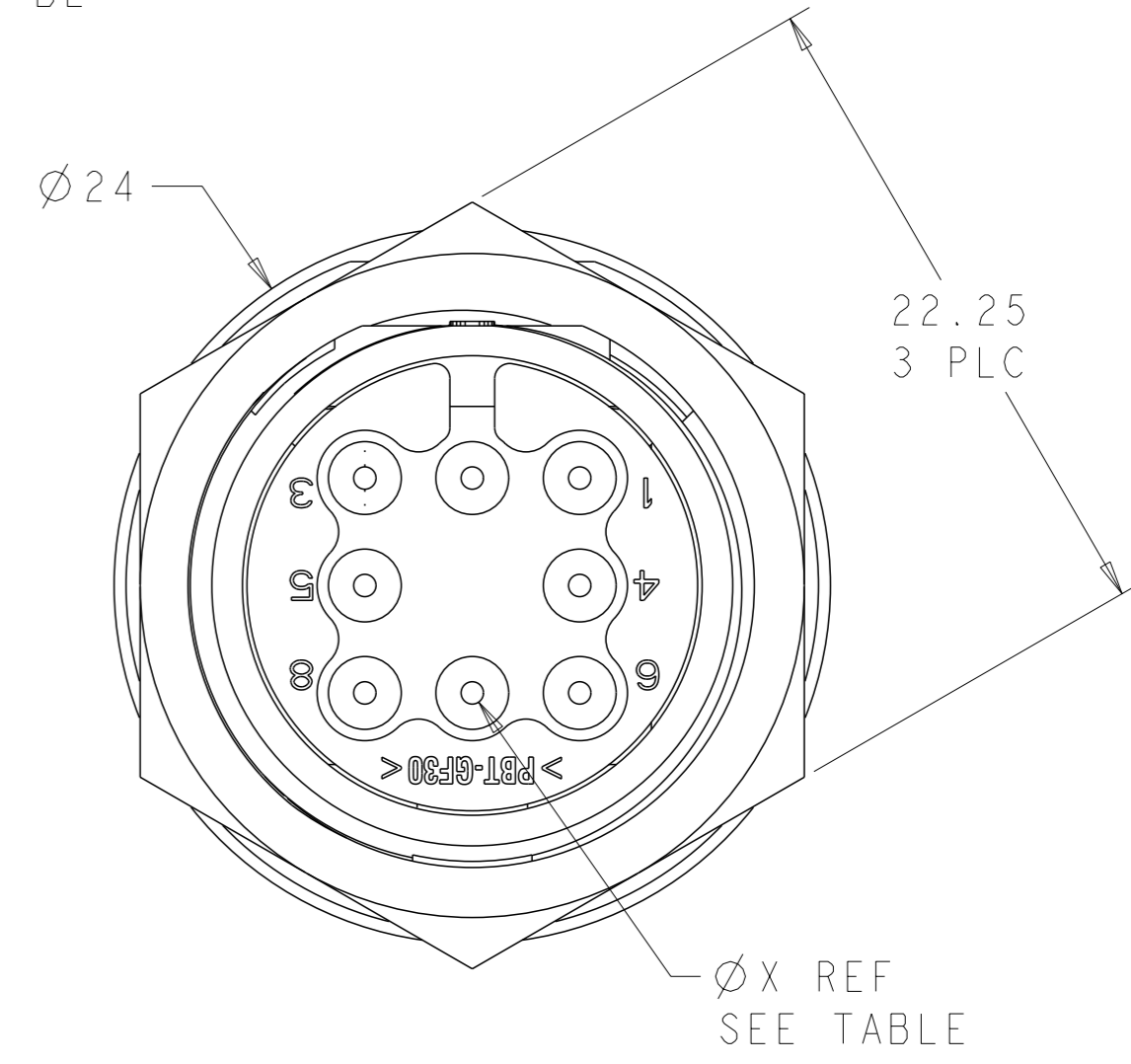
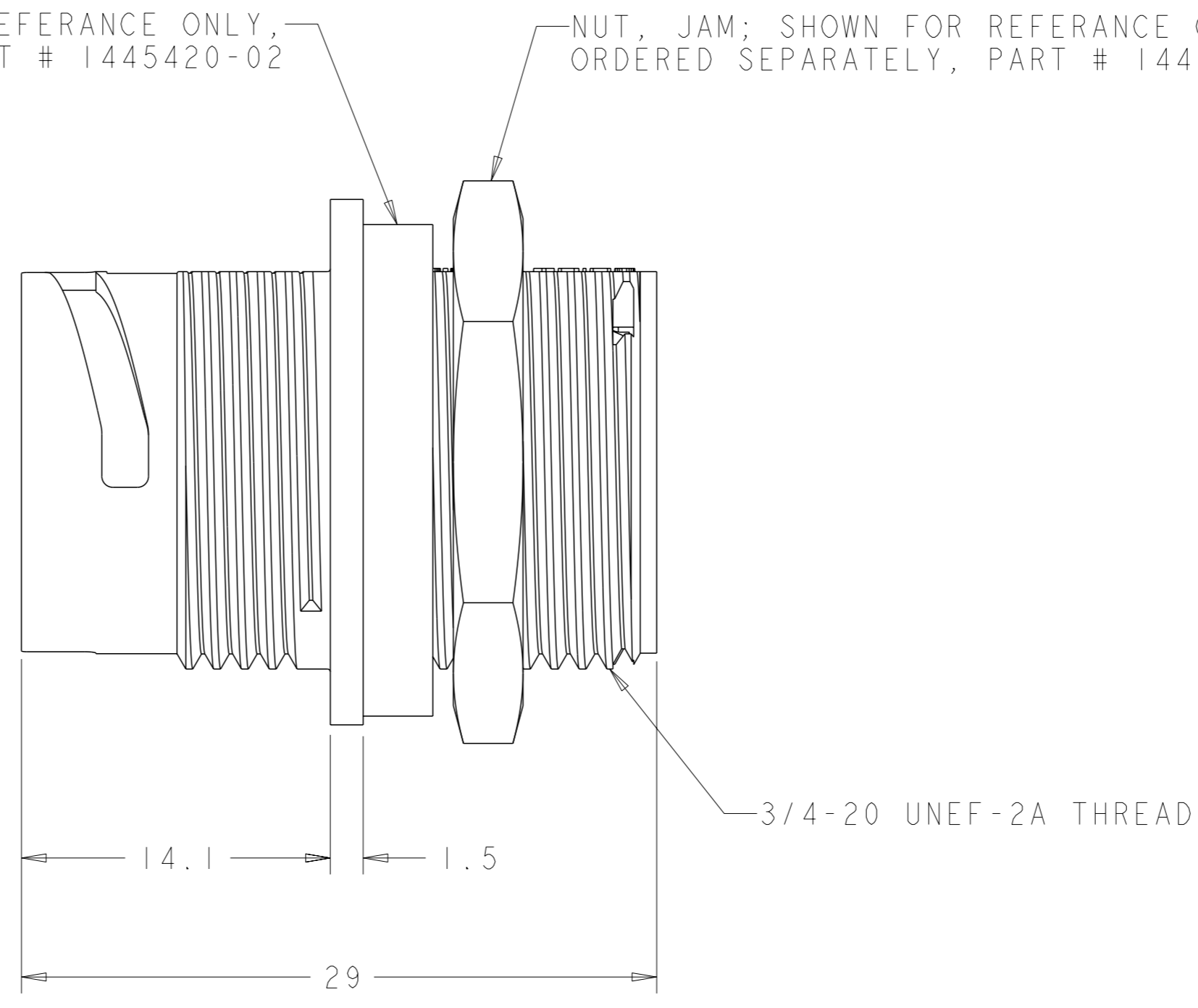


| REVISIONS | | | | |
|-----------|-----|---------------------------|-----------|----------|
| # | LY# | DESCRIPTION | DATE | OWN APVD |
| B2 | | REVISED PER ECO-15-010004 | 13JUL2015 | NK MZ |
| C | | REVISED PER ECO-17-004650 | 06APR2017 | BDA MZ |

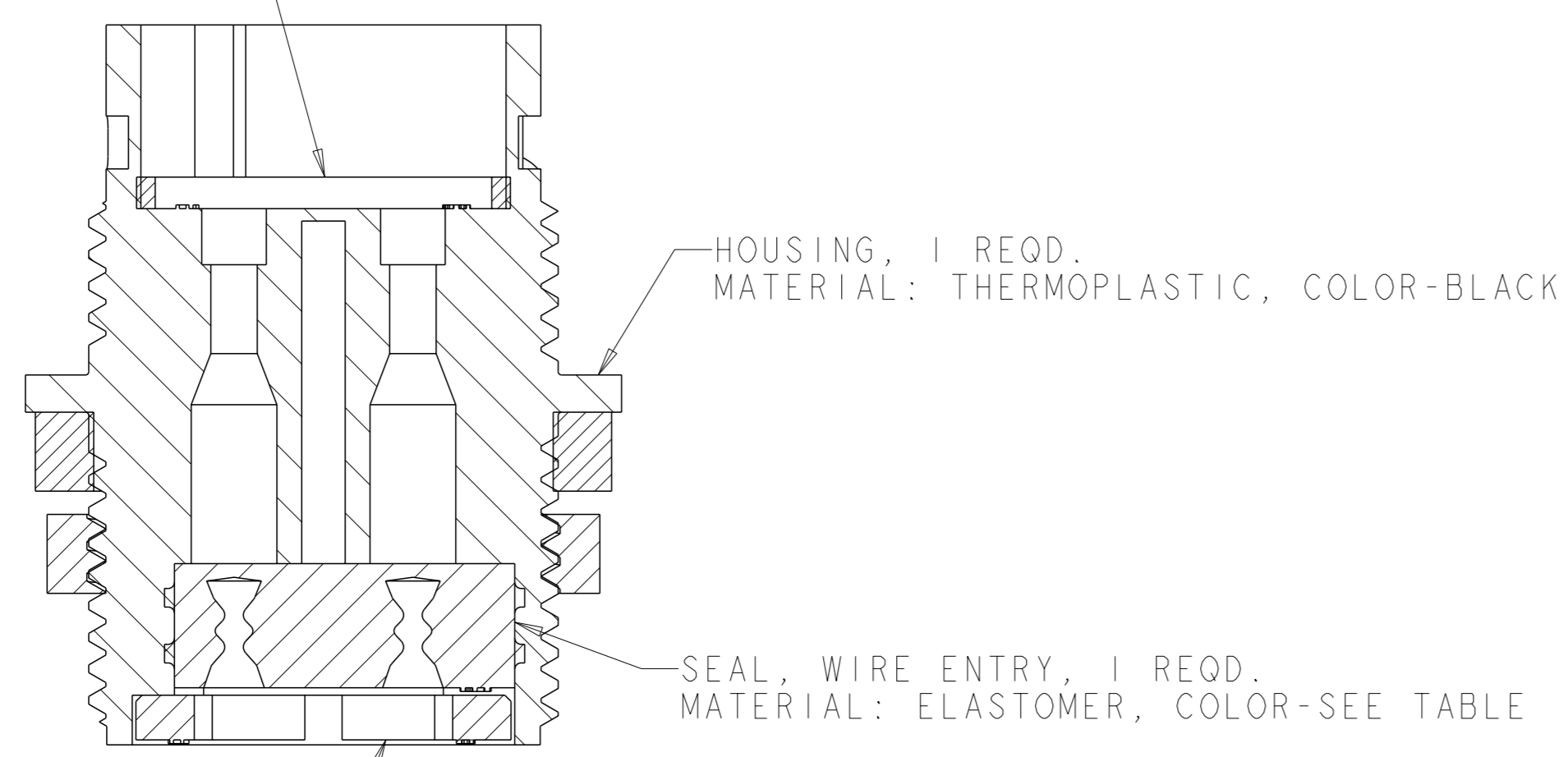


SEAL, PANEL, SHOWN FOR REFERENCE ONLY, TO BE ORDERED SEPARATELY, PART # 1445420-02

NUT, JAM; SHOWN FOR REFERENCE ONLY, TO BE ORDERED SEPARATELY, PART # 1445904-1

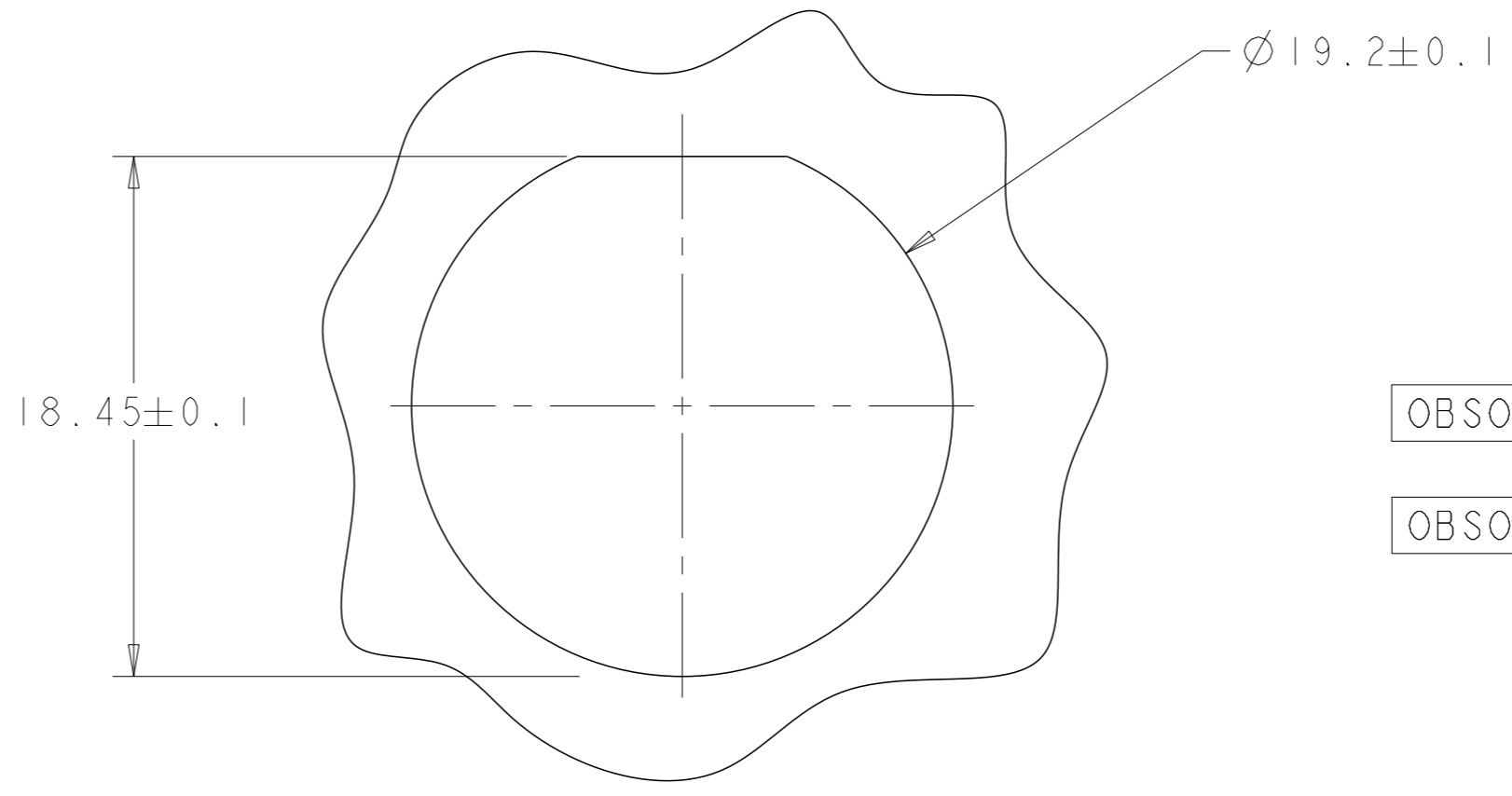


SEAL, PERIPHERAL, 1 REQD.
 MATERIAL: ELASTOMER, COLOR-GRAY



RETAINER, SEAL, 1 REQD.
 MATERIAL: THERMOPLASTIC, COLOR-BLACK

SECTION X-X



SUGGESTED PANEL CUTOUT

1. CONNECTOR CAN BE FRONT OR REAR PANEL MOUNTED.
 △ MAX PANEL THICKNESS - 3.18

| | | | | |
|----------|------------------------|--------|-------|-------------|
| OBSOLETE | YELLOW | Ø0.75 | 135° | 1445821-04 |
| | NATURAL | Ø1.5 | 115° | 1445821-03 |
| OBSOLETE | NATURAL | Ø1.5 | 135° | 1445821-02 |
| | YELLOW | Ø0.75 | 115° | 1445821-01 |
| | SEAL, WIRE ENTRY COLOR | ØX REF | K REF | PART NUMBER |

| | | | |
|--|--|---------------------------|---|
| THIS DRAWING IS A CONTROLLED DOCUMENT. | | OWN SHANE WIESE 12OCT2001 | TE Connectivity |
| DIMENSIONS: mm | | CHK G DOUTY 12OCT2001 | |
| TOLERANCES UNLESS OTHERWISE SPECIFIED: | | APVD H WAKEEM 13JUN2003 | NAME ASSEMBLY, RECEPTACLE, SIZE 11, 8 POSITION, PANEL MOUNT, SEALED, MINI CPC |
| 0 PLC ± 1 PLC ±0.13 2 PLC ± 3 PLC ± 4 PLC ± ANGLES FINISH ± | | PRODUCT SPEC | SIZE CAGE CODE DRAWING NO. RESTRICTED TO |
| MATERIAL SEE CALLOUT | | APPLICATION SPEC | A100779C=1445821 |
| WEIGHT | | CUSTOMER DRAWING | SCALE 4:1 SHEET 1 OF 1 REV C |

Mouser Electronics

Authorized Distributor

Click to View Pricing, Inventory, Delivery & Lifecycle Information:

[TE Connectivity:](#)

[1445821-3](#)