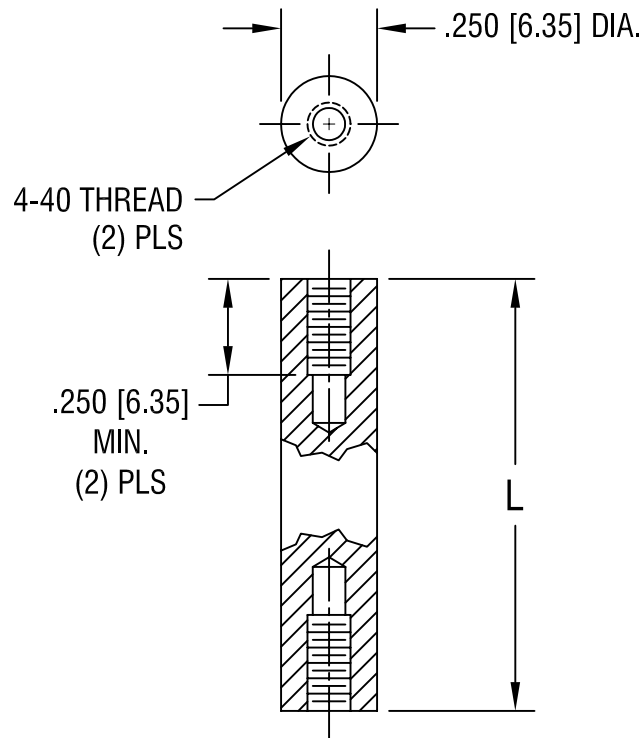


THIS DOCUMENT IS THE PROPERTY OF
KEYSTONE ELECTRONICS CORP. AND
SHALL NOT BE REPRODUCED, DISTRIBUTED
OR USED AS A BASIS FOR MANUFACTURE
WITHOUT PRIOR WRITTEN PERMISSION
FROM KEYSTONE ELECTRONICS CORP.



PART NO.	'L' DIM.
1877	1.500 [38.10]
1878	2.000 [50.80]

KEYSTONE ELECTRONICS CORP.			
ASTORIA, N.Y. 11105-2017			
PART NAME THREADED ROUND STANDOFF			
MATERIAL BRASS			
FINISH ZINC PLATE		DRN BY BOONE	DATE 3.13.98
		APP'D LN	SCALE 2X
DATE 7.29.05	DESCRIPTION CHANGE AS PER ECN 05-053	REV. A	TOLERANCES INCH [MM] DECIMAL ± .005 [± 0.15] ANGULAR ± 1° UNLESS OTHERWISE SPECIFIED
		CODE C/M	DWG NO. 1877-1878

DATE	DESCRIPTION	REV.
7.29.05	CHANGE AS PER ECN 05-053	A

Mouser Electronics

Authorized Distributor

Click to View Pricing, Inventory, Delivery & Lifecycle Information:

[Keystone Electronics:](#)

[1878](#)