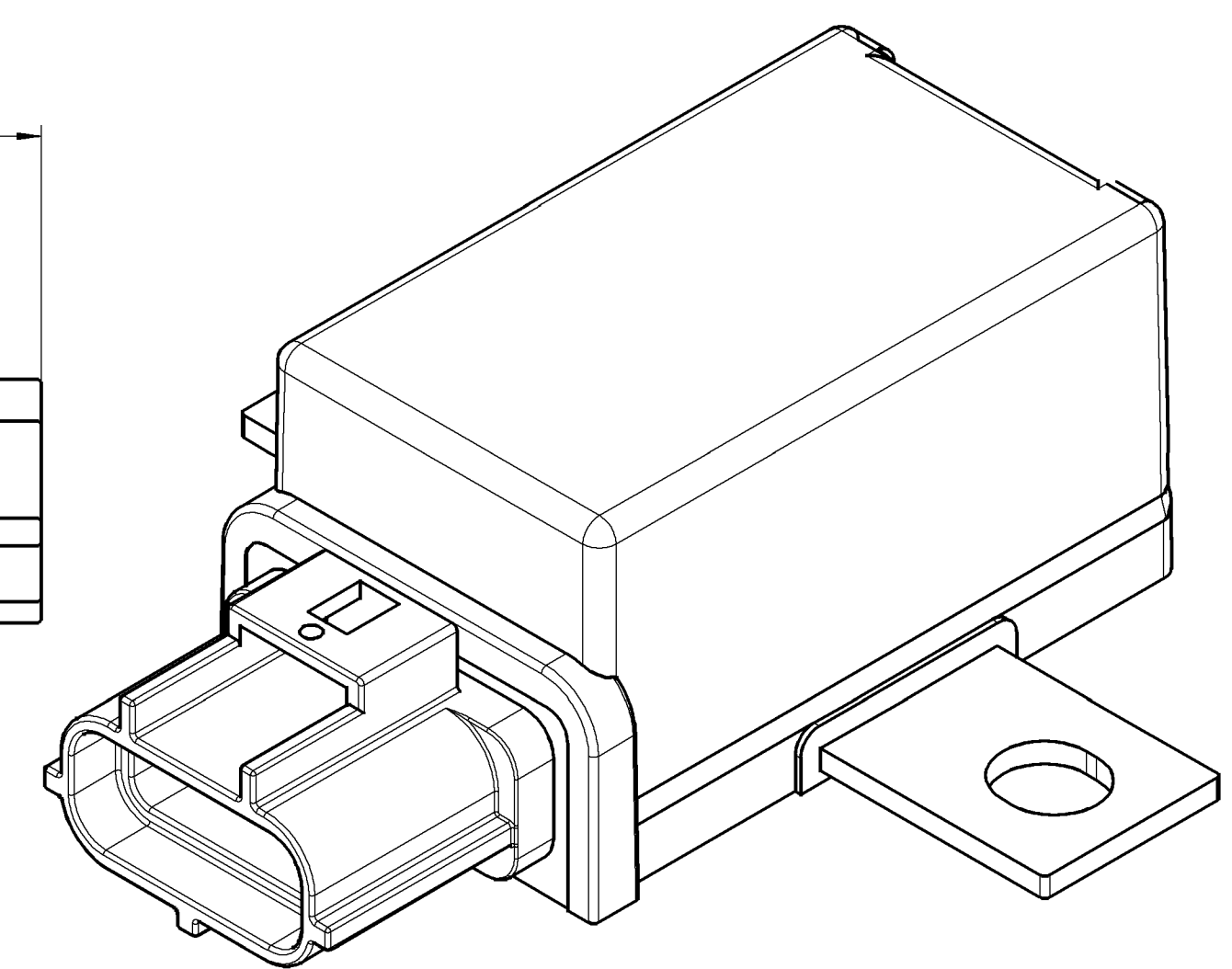
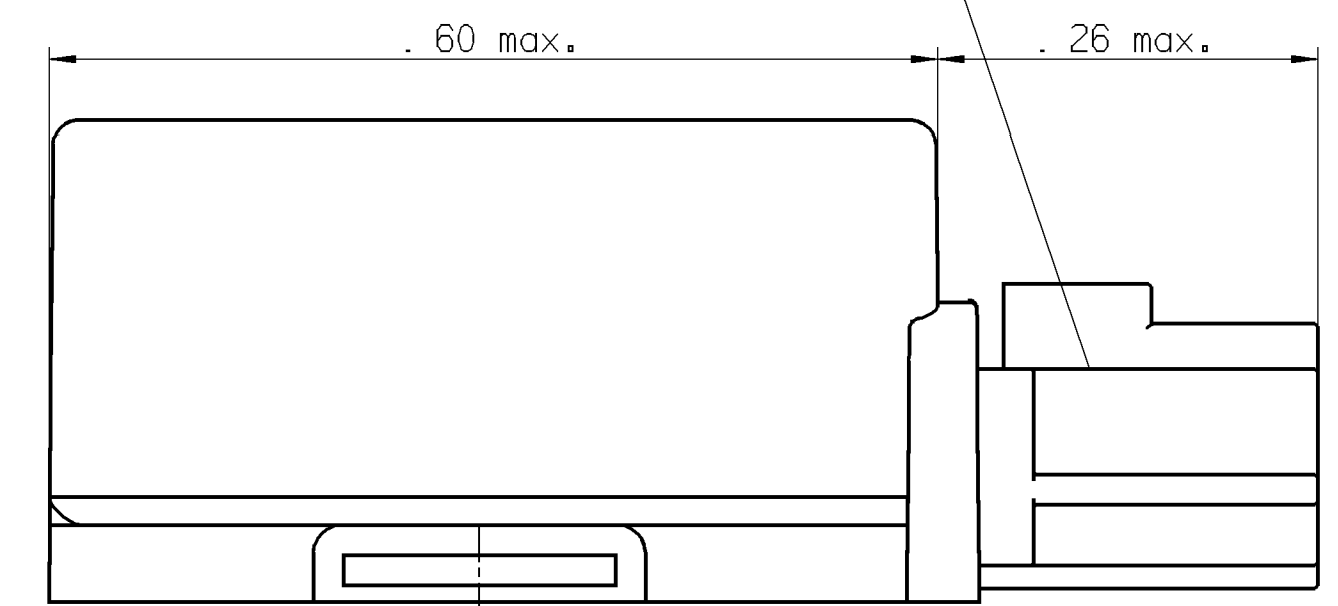
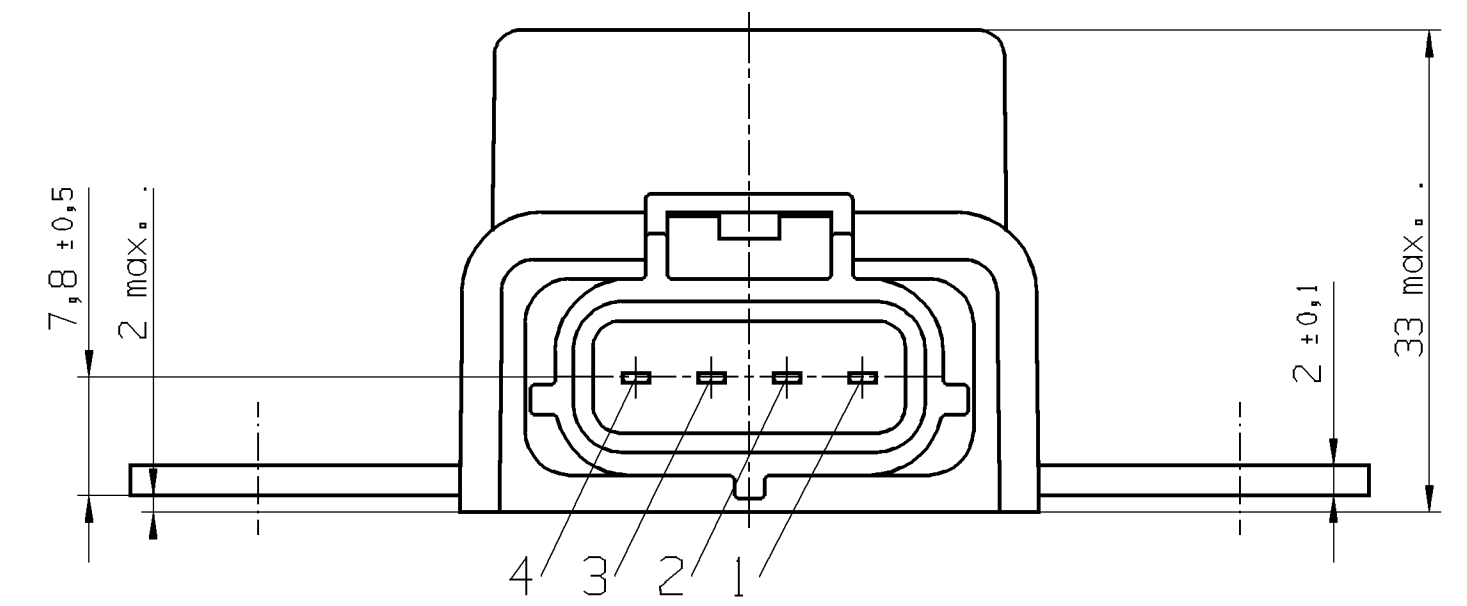
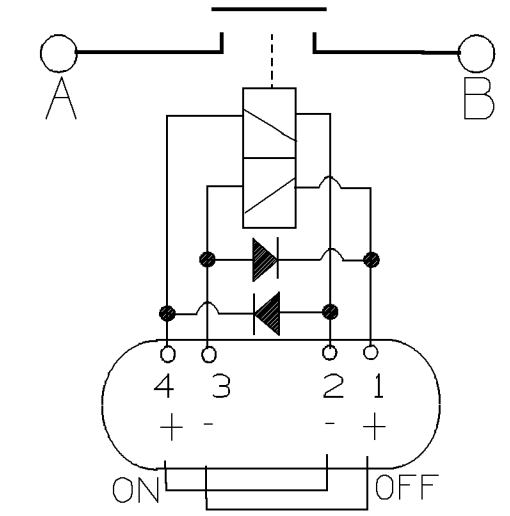


AMP Sensor Connector 4-Position 0.070 Series, appropriate for AMP part no. 184046-1



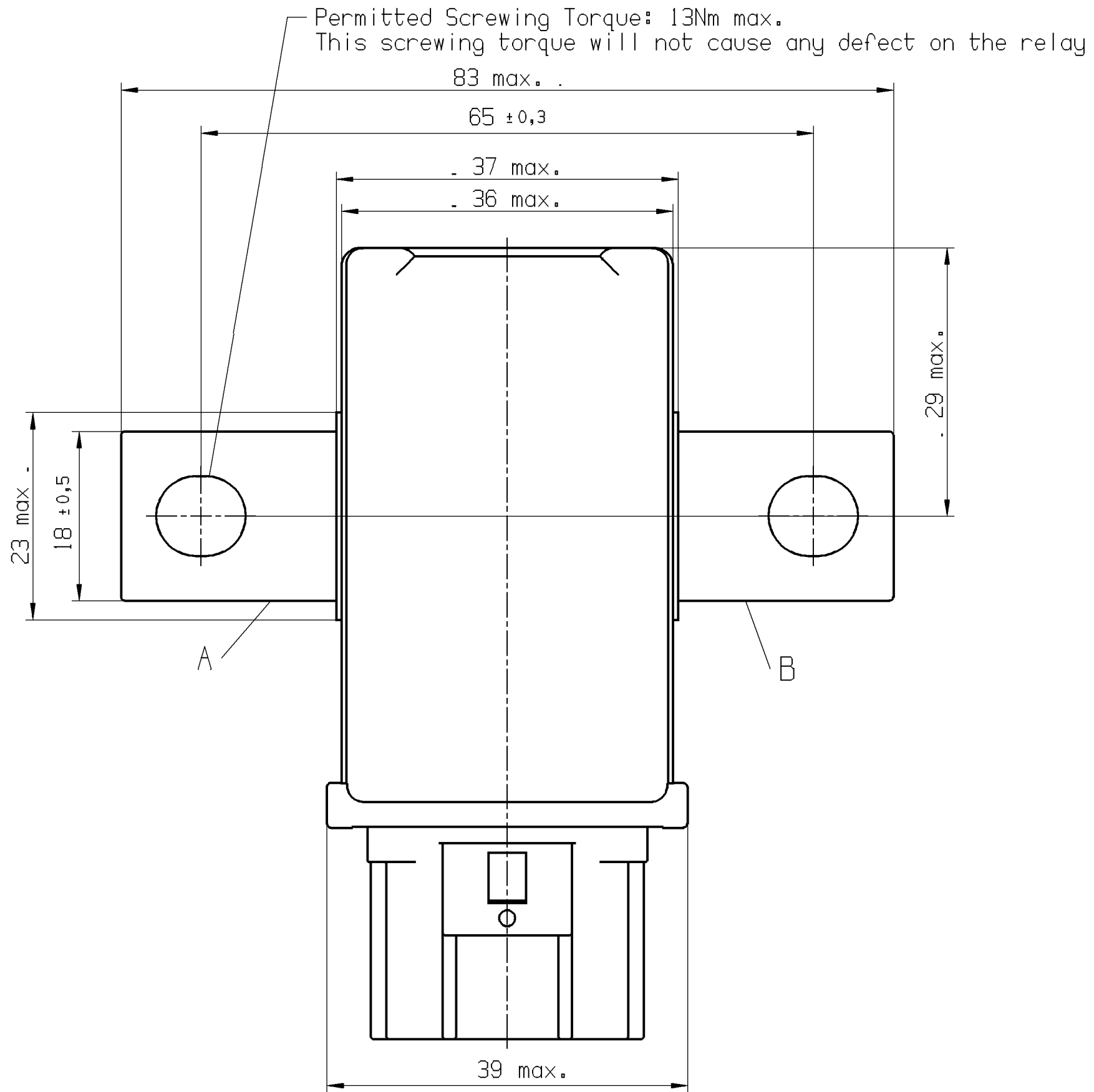
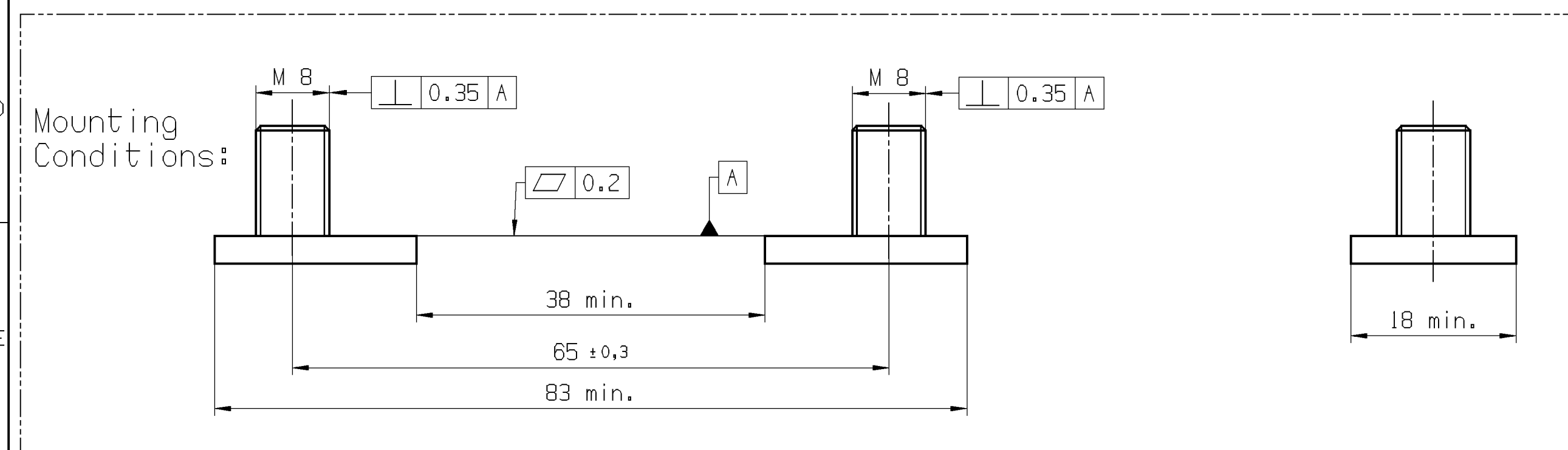
3D-VIEW

Pin Assignment



Terminal	Function
4	Set Coil (+)
3	Reset Coil (-)
2	Set Coil (-)
1	Reset Coil (+)
A	Load Terminal
B	Load Terminal

Set = A and B get connected



Tyco Electronics Part Number 1-1414939-4

<small>PROPRIETARY</small> THE REPRODUCTION, TRANSMISSION OR USE OF THIS DOCUMENT OR IT'S CONTENTS IS NOT PERMITTED WITHOUT EXPRESSED WRITTEN AUTHORITY. OFFENDERS WILL BE LIABLE FOR ALL DAMAGES. ALL RIGHTS, INCLUDING RIGHTS CREATED BY REGISTERED PATENTS ARE GRANTED FOR A UTILITY MODEL OR DESIGN, ARE RESERVED.		CHANGES TO THIS DRAWING MUST BE DONE ONLY IN CAD	<small>PAPER SIZE</small> A1
<small>APPLICABLE SPEC.</small>		<small>FINISH</small>	
<small>TOLERANCE UNLESS SPECIFIED OTHERWISE</small> ISO 2768-cL		<small>SCALE</small> 2:1	<small>PLATING</small> WEIGHT
<small>DIMENSIONS IN MM</small> DATE: 28.02.2002 NAME: Th. Hasmeier		<small>MATERIAL</small>	
<small>APP.</small>		<small>PART NAME</small> BDS-A 14V Latching	
<small>REV.</small>		<small>PART NO.</small> V23130-C2021-A412-CD	
<small>LOCATION</small> Bin P		<small>Tyco Electronics</small>	
<small>REV.</small> Initial	<small>DATE</small> 2007-09-18	<small>APP.</small> Thash	<small>SHT.</small> 1 <small>OF 1</small>

Mouser Electronics

Authorized Distributor

Click to View Pricing, Inventory, Delivery & Lifecycle Information:

[TE Connectivity:](#)

[V23130C2021A412-EV-CBOX](#)