

THIS DRAWING IS UNPUBLISHED.

RELEASED FOR PUBLICATION SEPT , 2006.

© COPYRIGHT 2006 By -

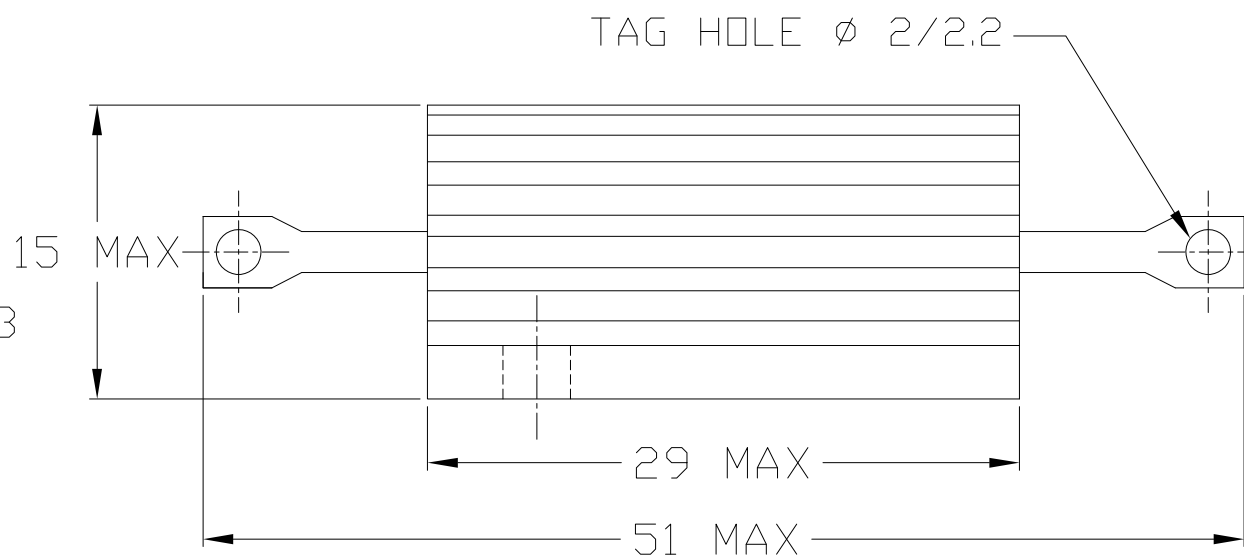
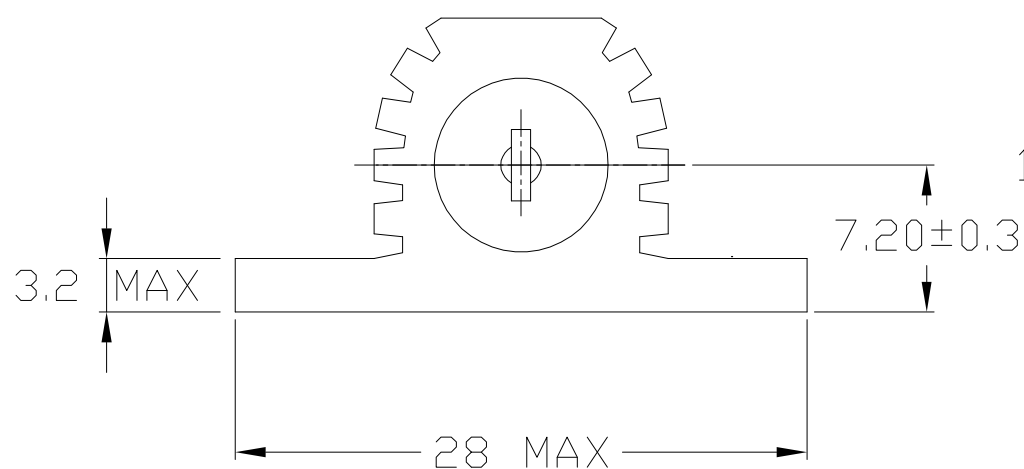
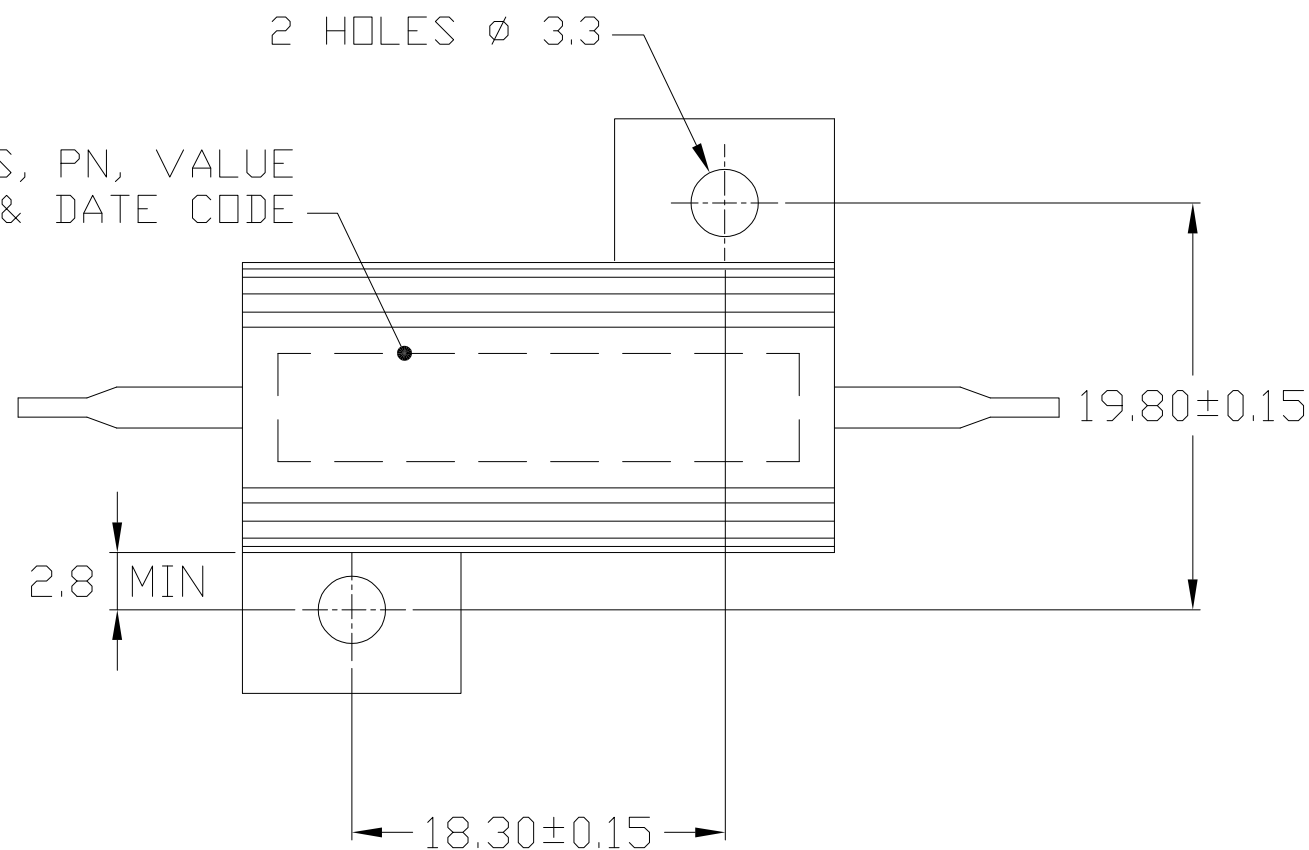
ALL RIGHTS RESERVED.

LOC	DIST	REVISIONS			
P	LTR	DESCRIPTION	DATE	DWN	APVD
E	B	A1	REVISED PER ECO-11-005150	21MAR11	RK HMR

TECHNICAL SPECIFICATION


DISSIPATION AT 25° C 25 WATTS MOUNTED ON STD HEATSINK
 BS OHMIC RANGE R01 TO 20K
 STABILITY $\Delta R \leq 1\%$ per 1000hrs
 ISOLATION VOLTAGE 2500V DC/AC pk
 MAX WORKING VOLTAGE 550V DC/AC rms
 TEMP COEFFICIENT <100R $\pm 50\text{ppm}/^\circ\text{C}$
 >100R $\pm 30\text{ppm}/^\circ\text{C}$
 CLIMATIC CATAGORY 55/200/56

TYCO, CGS, PN, VALUE
 TOLERANCE & DATE CODE



FOR A SPECIFIC PN FOR A RESISTANCE VALUE AND TOLERANCE, PLEASE REFER TO DMF.

RoHS Compliant

THIS DRAWING IS A CONTROLLED DOCUMENT.		DWN R BLANCH 19SEPT06	 TE Connectivity			
DIMENSIONS: mm		CHK J CATCHPOLE 19SEPT06				
TOLERANCES UNLESS OTHERWISE SPECIFIED:		APVD J CATCHPOLE 19SEPT06	NAME THS25 METAL CLAD RESISTOR			
0 PLC ± 0.5 1 PLC ± 0.2 2 PLC ± 0.1 3 PLC $\pm -$ 4 PLC $\pm -$ ANGLES $\pm 5^\circ$		PRODUCT SPEC	-			
MATERIAL		APPLICATION SPEC	-			
FINISH		WEIGHT	SIZE A3	CAGE CODE 00779	DRAWING NO C-1879075	RESTRICTED TO
		CUSTOMER DRAWING	SCALE NTS	SHEET 1 OF 1	REV A1	

Mouser Electronics

Authorized Distributor

Click to View Pricing, Inventory, Delivery & Lifecycle Information:

[TE Connectivity:](#)

[THS254R7J](#)