

4

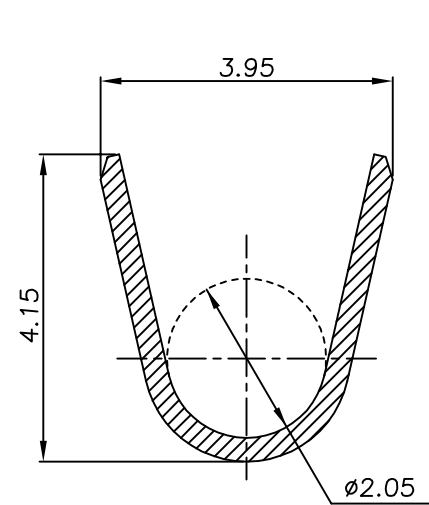
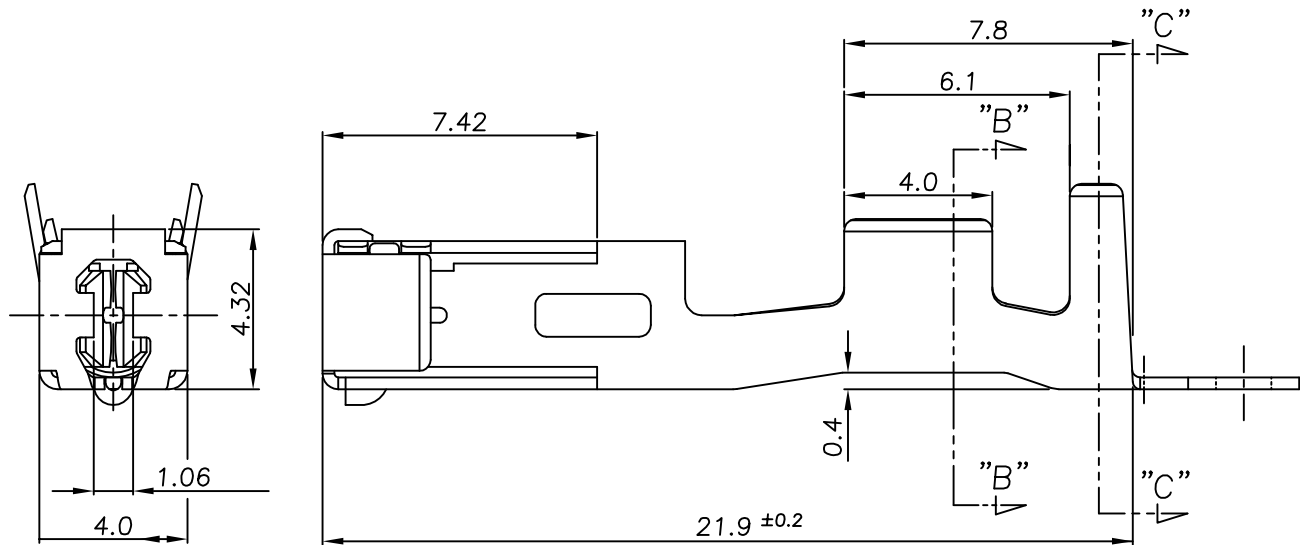
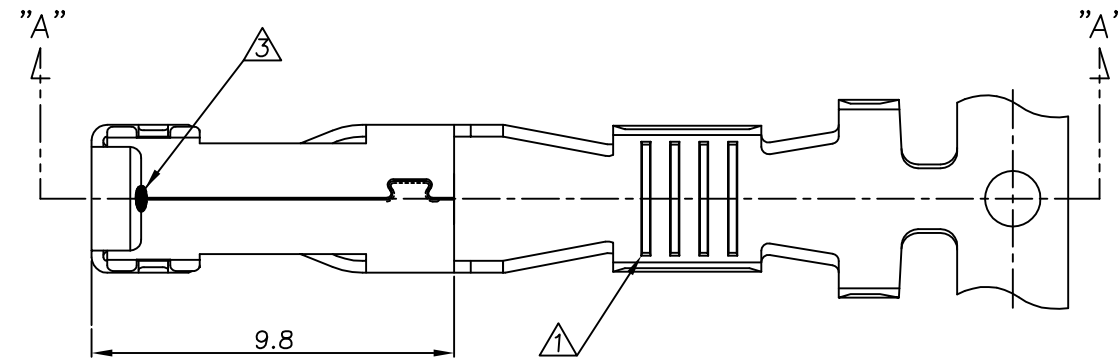
3

2

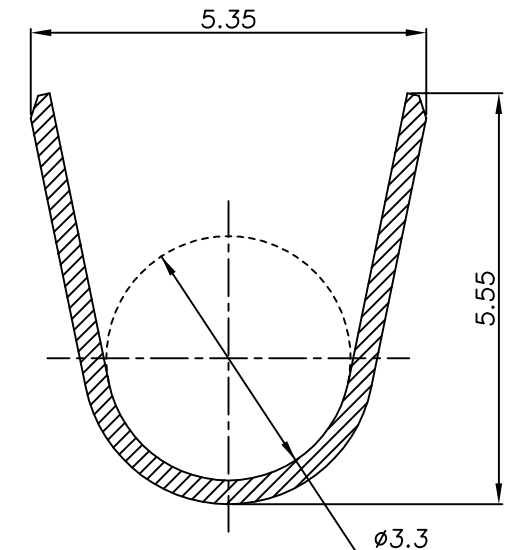
1

THIS DRAWING IS UNPUBLISHED. RELEASED FOR PUBLICATION
COPYRIGHT BY TYCO ELECTRONICS CORPORATION. ALL RIGHTS RESERVED.

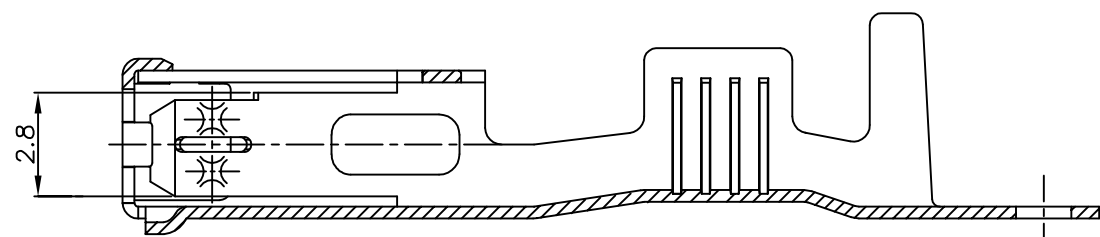
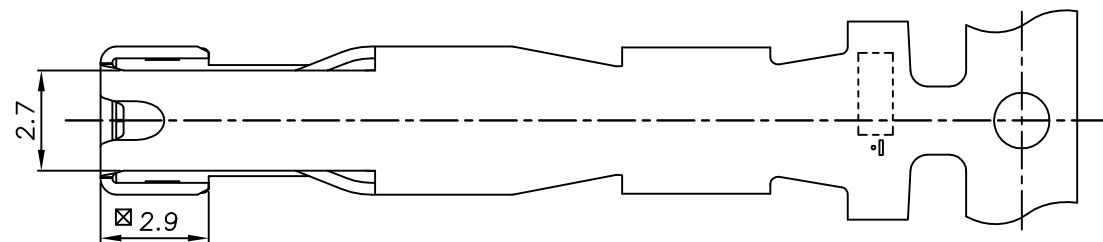
LOC	DIST	REVISIONS					
		P	LTR	DESCRIPTION	DATE	DWN	APVD
DS	-		C	REVISED (ECR-17-005900)	26.APR.'17	KT, J	KT, L



SECTION "B-B"
Scale 10/1



SECTION "C-C"
Scale 10/1




SECTION "A-A"

NOTE;

- ▲ THREE SERRATIONS CENTERED IN WIRE BARREL.
- 2 WIRE SIZE EQUIV 3.0SQ/12AWG
APPLICATION SPEC: 114-61033
- △ WELDING POINT

THIS DRAWING IS A CONTROLLED DOCUMENT FOR TYCO ELECTRONICS CORPORATION
IT IS SUBJECT TO CHANGE AND THE CONTROLLING ENGINEERING ORGANIZATION
SHOULD BE CONTACTED FOR THE LATEST REVISION.

DIMENSIONS: MM	TOLERANCES UNLESS OTHERWISE SPECIFIED: 0 <XX<10 ± 0.25 10<XX<30 ± 0.3 ANGLES ± 3°
MATERIAL SEE TABLE	FINISH SEE TABLE

PRE-TINNED	CuNiSi Alloy 0.32THK.	1743465-1
FINISH	MATERIAL	PART NO
DWN YH CHOUNG CHK YM CHOI	02NOV2005	 TE Connectivity
APVD JK SONG	NAME	
PRODUCT SPEC	2.8mm MCP-E NON SEALED RECEPT CONTACT (LL)	
APPLICATION SPEC	114-61033	RESTRICTED TO
WEIGHT	-	-
CUSTOMER DRAWING		SCALE 5/1 SHEET 1 OF 1 REV C

Mouser Electronics

Authorized Distributor

Click to View Pricing, Inventory, Delivery & Lifecycle Information:

[TE Connectivity:](#)

[1743465-1](#)