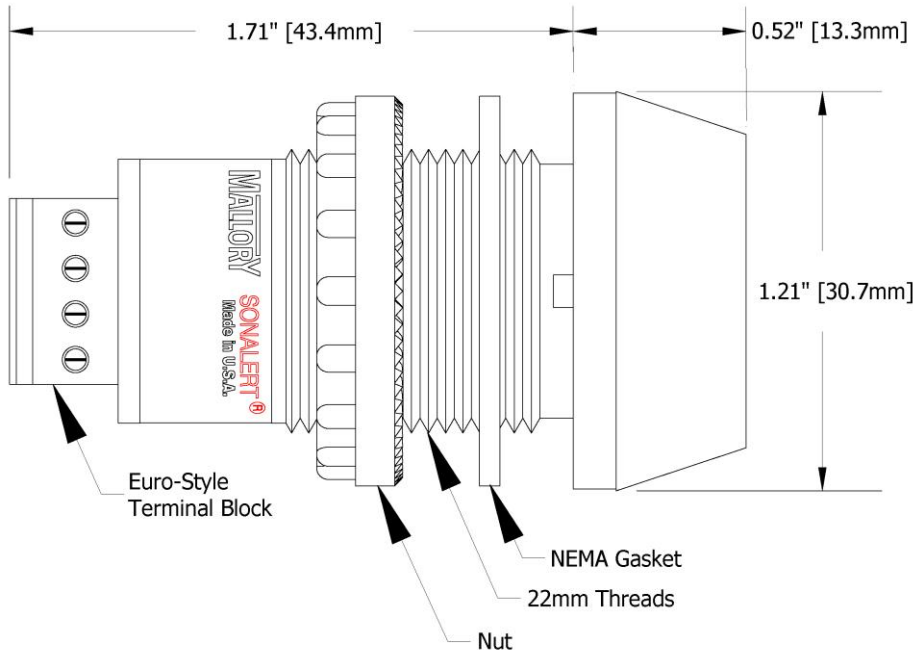


MALLORY

MALLORY SONALERT PRODUCTS, INC.

Product APPLICATION Guide

22mm Panel Alarms with Terminal Block Continuous & Pulsing Tones



KEY FEATURES:

- Fits Standard 22mm Panel Hole
- Continuous & Pulsing Tones
- Voltages from 6 Vdc to 120 Vac
- Sound Levels up to 95 dB @ 2 ft.
- cUL Approved; RoHS Compliant
- NEMA 3R/4X/12; IP-66
- CSA C22.2 No. 94
- Terminal Block Termination:
 - Finger Proof Safe Handling
 - Prevents Shock & Shorting
 - Saves Assembly Time & Labor

Continued →

Part Number Structure

ZA 016 L D CT

Series: **ZA** = 22mm

Maximum Voltage:

016 = 6 - 16; **028** = 16 - 28; **048** = 28 - 48; **120** = 48 - 120

Sound Level:

L = Loud (85 - 95 dB @ 2 ft); **M** = Medium (75 - 85 dB @ 2 ft)

S = Soft (65 - 75 dB @ 2 ft)

Voltage Type: **D** = DC Only; **A** = AC or DC

Function:

CT = Continuous Tone; **FP1** = Fast Pulse; **MP1** = Medium Pulse

SP1 = Slow Pulse; **DP2** = Fast Double Pulse; **DP3** = Slow Double Pulse

Selection Guide

		SOUND LEVEL (dB @ 2 feet)			Tone Type	
		Soft 65 to 75 dB	Medium 75 to 85 dB	Loud 85 to 95 dB		
VOLTAGE RANGE	DC Only	6 to 16 Vdc	Coming Soon	Coming Soon	ZA016LDCT	Continuous
			ZA016SDFP1	ZA016MDFP1	ZA016LDFP1	Fast Pulse
			ZA016SDMP1	ZA016MDMP1	ZA016LDMP1	Medium Pulse
			ZA016SDSP1	ZA016MDSP1	ZA016LDSP1	Slow Pulse
			ZA016SDDP2	ZA016MDDP2	ZA016LDDP2	Fast Double Pulse
			ZA016SDDP3	ZA016MDDP3	ZA016LDDP3	Slow Double Pulse
	16 to 28 Vdc	Coming Soon	Coming Soon	ZA028LDCT	Continuous	
		ZA028SDFP1	ZA028MDFP1	ZA028LDFP1	Fast Pulse	
		ZA028SDMP1	ZA028MDMP1	ZA028LDMP1	Medium Pulse	
		ZA028SDSP1	ZA028MDSP1	ZA028LDSP1	Slow Pulse	
		ZA028SDDP2	ZA028MDDP2	ZA028LDDP2	Fast Double Pulse	
		ZA028SDDP3	ZA028MDDP3	ZA028LDDP3	Slow Double Pulse	
AC OR DC	16 to 28 Vac/dc	Coming Soon	Coming Soon	ZA028LACT	Continuous	
		ZA028SAFP1	ZA028MAFP1	ZA028LAFP1	Fast Pulse	
		ZA028SAMP1	ZA028MAMP1	ZA028LAMP1	Medium Pulse	
		ZA028SASP1	ZA028MASP1	ZA028LASP1	Slow Pulse	
		ZA028SADP2	ZA028MADP2	ZA028LADP2	Fast Double Pulse	
		ZA028SADP3	ZA028MADP3	ZA028LADP3	Slow Double Pulse	
	28 to 48 Vac/dc	Coming Soon	Coming Soon	ZA048LACT	Continuous	
		ZA048SAFP1	ZA048MAFP1	ZA048LAFP1	Fast Pulse	
		ZA048SAMP1	ZA048MAMP1	ZA048LAMP1	Medium Pulse	
		ZA048SASP1	ZA048MASP1	ZA048LASP1	Slow Pulse	
		ZA048SADP2	ZA048MADP2	ZA048LADP2	Fast Double Pulse	
		ZA048SADP3	ZA048MADP3	ZA048LADP3	Slow Double Pulse	
48 to 120 Vac/dc	Coming Soon	Coming Soon	ZA120LACT	Continuous		
	ZA120SAFP1	ZA120MAFP1	ZA120LAFP1	Fast Pulse		
	ZA120SAMP1	ZA120MAMP1	ZA120LAMP1	Medium Pulse		
	ZA120SASP1	ZA120MASP1	ZA120LASP1	Slow Pulse		
	ZA120SADP2	ZA120MADP2	ZA120LADP2	Fast Double Pulse		
	ZA120SADP3	ZA120MADP3	ZA120LADP3	Slow Double Pulse		

Call 317-612-1000 or Visit www.mallory-sonalert.com for More Details

Mouser Electronics

Authorized Distributor

Click to View Pricing, Inventory, Delivery & Lifecycle Information:

Mallory Sonalert:

[ZA016LDDP2](#) [ZA016LDDP3](#) [ZA016LDFP1](#) [ZA016LDSP1](#) [ZA016MDDP2](#) [ZA016MDDP3](#) [ZA016MDFP1](#)
[ZA016MDMP1](#) [ZA016MDSP1](#) [ZA016SDDP2](#) [ZA016SDDP3](#) [ZA016SDFP1](#) [ZA016SDMP1](#) [ZA016SDSP1](#)
[ZA028LADP2](#) [ZA028LADP3](#) [ZA028LAFP1](#) [ZA028LASP1](#) [ZA028LDDP2](#) [ZA028LDDP3](#) [ZA028LDFP1](#) [ZA028LDSP1](#)
[ZA028MADP2](#) [ZA028MADP3](#) [ZA028MAFP1](#) [ZA028MAMP1](#) [ZA028MASP1](#) [ZA028MDDP2](#) [ZA028MDDP3](#)
[ZA028MDFP1](#) [ZA028MDMP1](#) [ZA028MDSP1](#) [ZA028SADP2](#) [ZA028SADP3](#) [ZA028SAFP1](#) [ZA028SAMP1](#)
[ZA028SASP1](#) [ZA028SDDP2](#) [ZA028SDDP3](#) [ZA028SDFP1](#) [ZA028SDMP1](#) [ZA028SDSP1](#) [ZA048LADP2](#)
[ZA048LADP3](#) [ZA048LAFP1](#) [ZA048LAMP1](#) [ZA048LASP1](#) [ZA048MADP2](#) [ZA048MADP3](#) [ZA048MAFP1](#)
[ZA048MAMP1](#) [ZA048MASP1](#) [ZA048SADP2](#) [ZA048SADP3](#) [ZA048SAFP1](#) [ZA048SAMP1](#) [ZA048SASP1](#)
[ZA120LADP2](#) [ZA120LADP3](#) [ZA120LAFP1](#) [ZA120MADP2](#) [ZA120MADP3](#) [ZA120MAFP1](#) [ZA120MAMP1](#)
[ZA120MASP1](#) [ZA120SADP2](#) [ZA120SADP3](#) [ZA120SAFP1](#) [ZA120SAMP1](#) [ZA120SASP1](#)