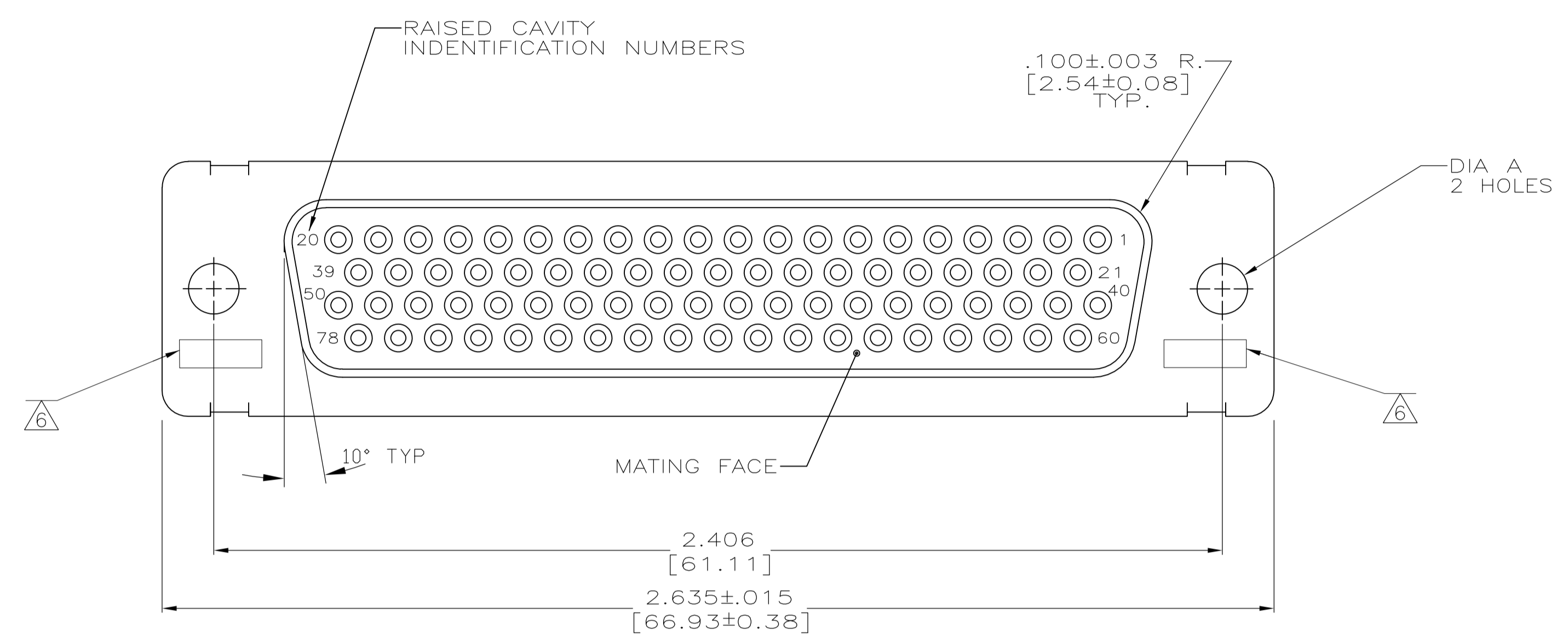
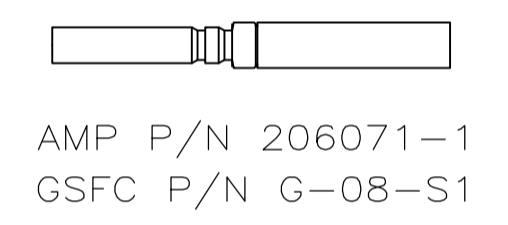
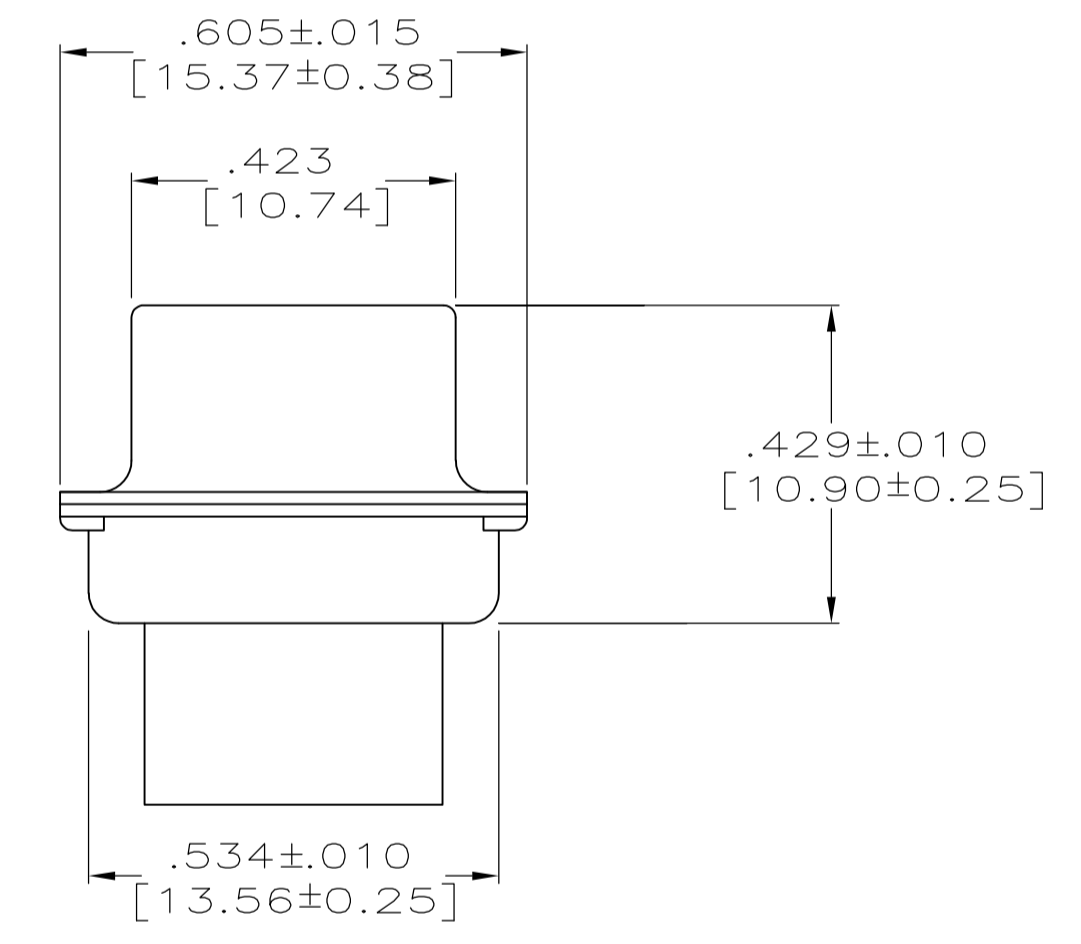
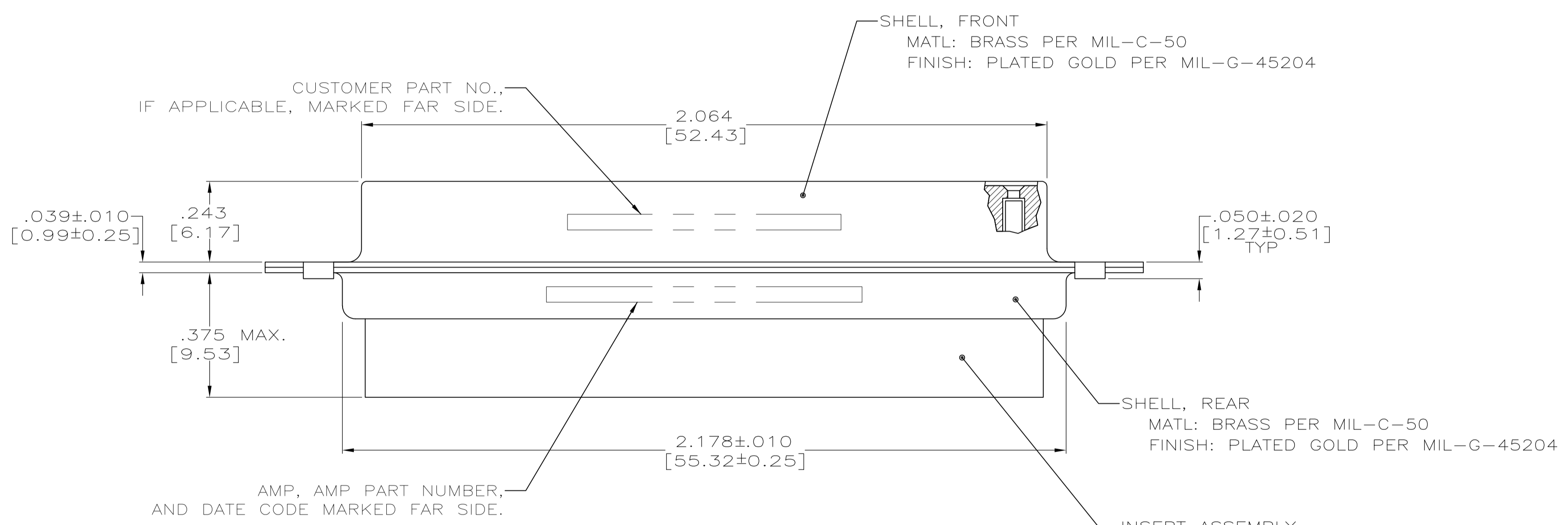


REVISONS		DATE	DWN	APVD
LOC	DIST	DESCRIPTION		
Y		REV PER ECO 15-016064	11-9-15	CT CD



- THIS RECEPTACLE WILL MATE WITH ANY PLUG CONNECTOR WITH THE SAME INSERT ARRANGEMENT AS DEFINED BY MS18277-2.
  - MAXIMUM WIRE INSULATION USED WITH THIS RCPT. IS .054 [1.37] DIA.
  - Be-Cu RETENTION CLIPS ARE INCLUDED IN INSERTS.
- △4 INSPECTION REQUIREMENTS PER R4383.
- △5 CONNECTOR SUPPLIED WITH 86 CONTACTS, AMP PART NUMBER 206071-1. INSPECTION REQUIREMENTS PER R4383 WITHOUT TESTS FOR HIGH ALTITUDE DIELECTRIC WITHSTANDING VOLTAGE AS CALLED FOR IN TABLE II SCREENING AND TESTING.
- △6 UL/CSA DESIGNATION STAMPED IN THIS AREA, OPTIONAL
- △7 SPECIAL TESTING PER GE DOCUMENT 20025720. CONNECTOR SUPPLIED WITH 88 CONTACTS, AMP P/N 206071-1.
- △8 RESTRICTED TO CAE ELECTRONICS ONLY.
- △9 THESE CONNECTORS ARE QUALIFIED TO GODDARD SPACE FLIGHT CENTER SPECIFICATION S-311-P-4.
- △10 CONNECTOR SUPPLIED WITH 78 CONTACTS, AMP PART NUMBER 206071-1; (NOT INSTALLED).
- △11 SINGLE LOT DATE CODE AND 100% GROUP "A" ACCEPTANCE TESTING PER CI-2A-019.



△11	.120 [3.05]	CI-2A-019-004V-001	1-206505-4	1-206505-4
△10	.120 [3.05]	570566-5	1-206505-3	1-206505-3
△9	.120 [3.05]	LMSC 1621480-006	1-206505-2	1-206505-2
△8	.120 [3.05]	LMSC 1621480-006	1-206505-1	1-206505-1
△7	.120 [3.05]	311P407-5S-B-12	206505-4	1-206505-0
△6	.120 [3.05]	20025720P1078S	206505-9	206505-9
△5	.120 [3.05]	R4383P78S	206505-8	206505-8
△4	.154 [3.91]		206505-7	206505-7
△3	.120 [3.05]	R4383P78S-2	206505-6	206505-6
△2	.120 [3.05]	SC81D139-045	206505-5	206505-5
△1	.120 [3.05]	311P407-5S-B-12	206505-4	206505-4
	.154 [3.91]		206505-3	206505-3
	.120 [3.05]	R9259P78S	206505-2	206505-2
	.154 [3.91]	311P407-5S-B-15	206505-1	206505-1
REMARKS	DIA A	CUSTOMER P/N ON CONNECTOR	AMP P/N ON CONNECTOR	AMP P/N

THIS DRAWING IS A CONTROLLED DOCUMENT.

APPROVED: M. CLOUSER 12-16-88  
CHK: T. CANTLIN 1-24-89  
F. KINSEY 1-25-89

NAME: AMPLIMITE NONMAGNETIC RECEPTACLE ASSEMBLY, SERIES 90, SHELL SIZE 5, 78 POSITION

SIZE: A1 00779 C=206505

SCALE: 4:1 SHEET: 1 OF 1 REV: Y

RESTRICTED TO: CUSTOMER DRAWING

# Mouser Electronics

Authorized Distributor

Click to View Pricing, Inventory, Delivery & Lifecycle Information:

[TE Connectivity:](#)

[206505-4](#)