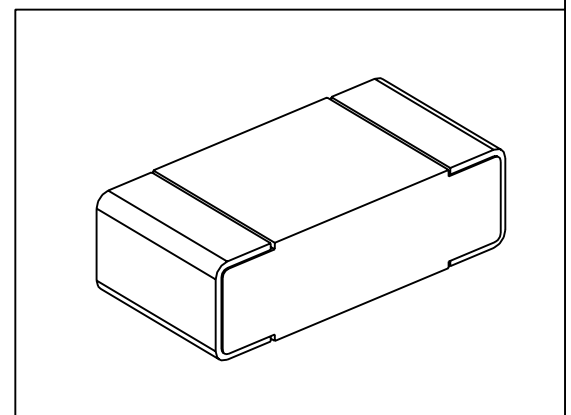
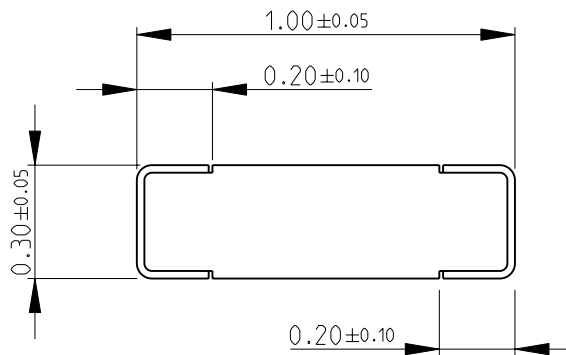
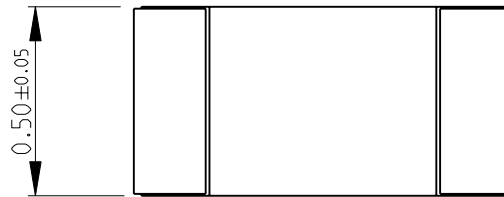


| LOC | DIST | REVISIONS | | | |
|-----|------|-------------|-------------|-----------|---------|
| P | LTR | DESCRIPTION | DATE | DWN | APVD |
| E | B | BA | NEW RELEASE | 27-Sep-08 | SM St.P |

FOR FURTHER INFORMATION SEE DATA SHEET FOR
CPF SERIES-THIN FILM PRECISION CHIP RESISTORS



RoHS Compliant

2008

RELEASED FOR PUBLICATION

THIS DRAWING IS UNPUBLISHED.

BY TYCO ELECTRONICS CORPORATION. ALL RIGHTS RESERVED.



| | | | | | | |
|--|-------------------|-----------|--|-----------|------------|---------------|
| DIMENSIONS: mm | DWN SUBHASH.M | 27-Sep-08 | MATERIAL | - | FINISH | - |
| | CHK PRAKASH.S | 27-Sep-08 | Tyco Electronics Corporation Dorcan, Swindon, SN3 5HH | | | |
| TOLERANCES UNLESS OTHERWISE SPECIFIED: | APVD STEPHEN.P | 27-Sep-08 | | | | |
| 0 PLC ±0.2 | PRODUCT SPEC | - | NAME THIN FILM PRECISION CHIP RESISTORS | | | |
| 1 PLC ±0.1 | APPLICATION SPEC | - | SERIES CPF 0402 | | | |
| 2 PLC ±- | WEIGHT | - | SIZE | CAGE CODE | DRAWING NO | RESTRICTED TO |
| 3 PLC ±- | | | A 4 | 00779 | ©- 1879213 | - |
| 4 PLC ±- | | | CUSTOMER DRAWING | | | SCALE 50:1 |
| ANGLES ±5° | | | SHEET 1 OF 1 | | | REV BA |

Mouser Electronics

Authorized Distributor

Click to View Pricing, Inventory, Delivery & Lifecycle Information:

[TE Connectivity:](#)

[1879213-1](#)