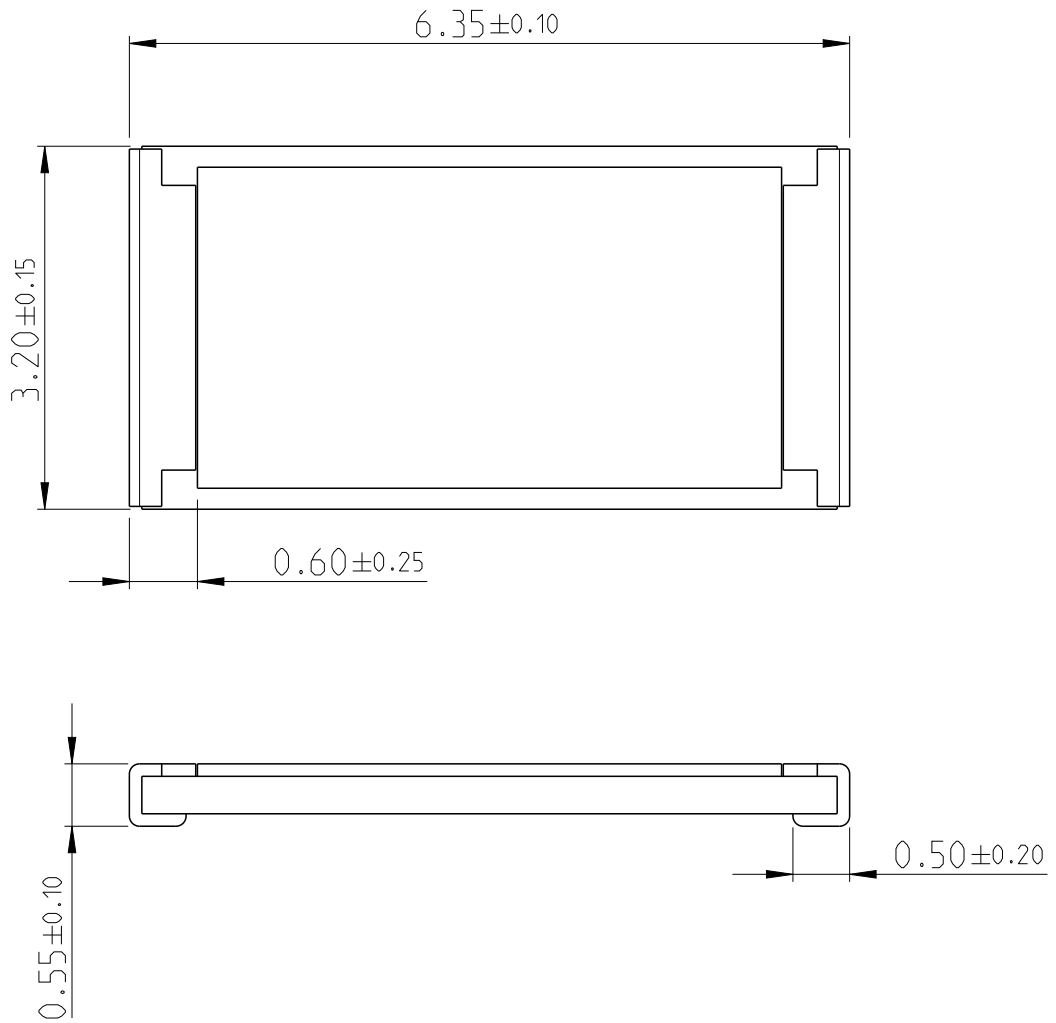
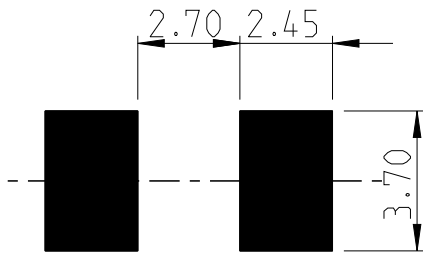


LOC	DIST	REVISIONS					
-	-	P	LTR	DESCRIPTION	DATE	DWN	APVD
		BC	ECR-16-000748		18JAN2016	KR	TN

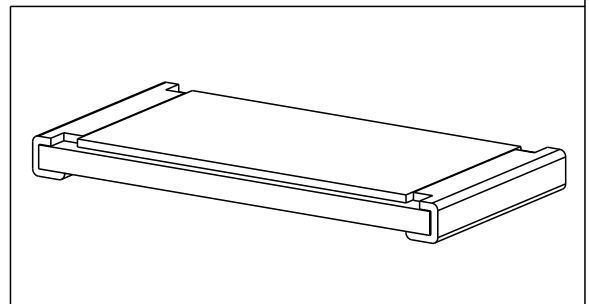


FOR FURTHER INFORMATION SEE DATA SHEET FOR 3521 SERIES

RoHS Compliant



PDB LAYOUT PLAN




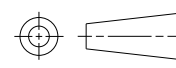
RELEASED FOR PUBLICATION

THIS DRAWING IS UNPUBLISHED.

ALL RIGHTS RESERVED.

BY -

© COPYRIGHT 20

DIMENSIONS:	DWN	15MAR2012	MATERIAL	FINISH				
mm	DARSHAN MS		-	-				
TOLERANCES UNLESS OTHERWISE SPECIFIED:	CHK	15MAR2012	 TE Connectivity					
0 PLC ±	ALLAN P							
1 PLC ±0.5	APVD	15MAR2012						
2 PLC ±0.13	STEPHEN.P		NAME					
3 PLC ±0.013	PRODUCT SPEC		SMD POWER					
4 PLC ±0.0001	APPLICATION SPEC		RESISTORS - TYPE 3521 SERIES					
ANGLES ±	WEIGHT	0.03806 Gram	SIZE	CAGE CODE	DRAWING NO	RESTRICTED TO		
			A 4	00779	C-2176070	-		
Customer Drawing			SCALE	40:1	SHEET	1 OF 1	REV	BC

Mouser Electronics

Authorized Distributor

Click to View Pricing, Inventory, Delivery & Lifecycle Information:

[TE Connectivity:](#)

[352127RFT](#)