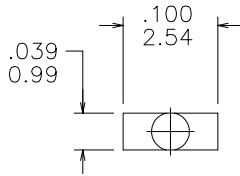


PRODUCT NO.

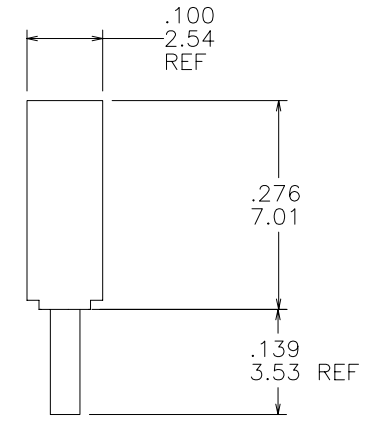
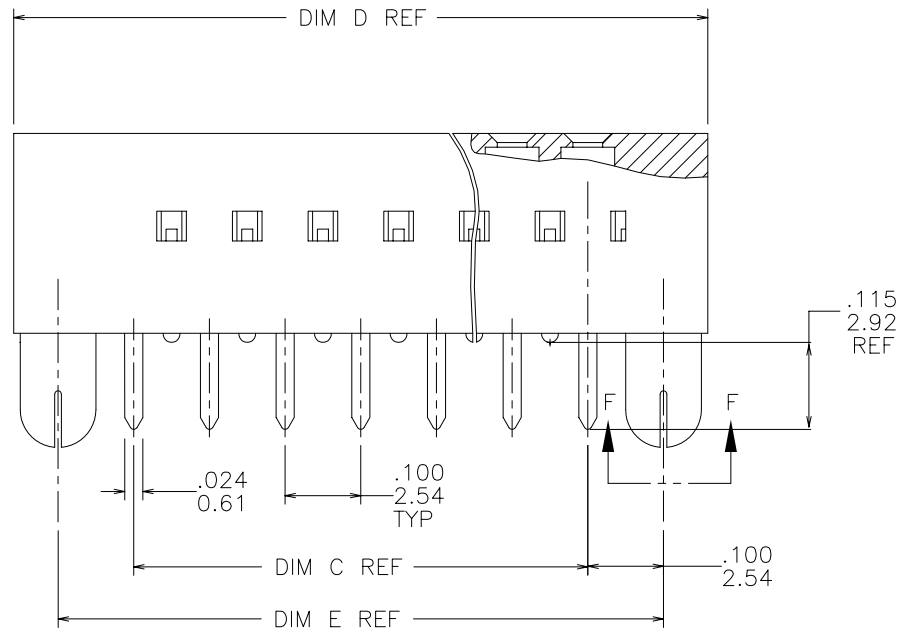
SEE TABLE

90099 - XXX LF

LEAD FREE OPTION  
 PACKAGING OPTIONS OMIT IF NOT REQUIRED.  
 NO. OF POSITIONS PER ROW  
 PLATING CODE  
 BASE PART NUMBER



VIEW F-F  
SCALE 10/1



FCIconnect.com

Copyright FCI

mat'l. code		surface		tolerance		projection		product family	
-		ISO 1302 ✓		ISO 406 ISO 1101		INCH/MM		DUBOX	
ltr		ecn no dr		date		tolerances unless otherwise specified		title	
F	V41021	MRC	8/2/94			.xx ±.01/.3		DUBOX LATCHED THRU MOUNT	
G	V50511	MRC	6/29/95	angles	linear	.xxx ±.005/.13		S/R VERTICAL CARD CONN. ASS'Y	
H	V03-0311	HTB	5/23/03	0'±2'		.xxxx ±.0020/.051		scale 8:1	
J	V05-0463	DPU	06/29/05	dr	J.SHREINER	12/3/90		dwg no	
K	M06-0237	AEA	06/23/06	enr	M. HAHN	12/3/90		sheet 1 of 5 size	
L	M06-0433	AGS	10/31/06	chr	M. HAHN	12/3/90		90099 A3	
M	M07-0203	MHT	5/01/007	appd	M. HAHN	12/3/90		type Product Customer Drawing	
sheet	revision	M	M	M	M	M	M		
index	sheet	1	2	3	4	5			

form: A3

1

2 3

4

5

6

NOTES.

- 1. HOUSING MATERIAL; P.P.S. FILLED  
COLOR.BLACK  
FLAME RETARDENT PER UL-94-V0.  
PART WILL WITHSTAND EXPOSURES TO 260°C  
PEAK TEMPERATURE FOR 20 SECONDS IN WAVE SOLDER,  
INFRA-RED OR VAPOR PHASE SOLDER PROCESS.
- 2. TERMINAL MATERIAL.  
PHOSPHOR BRONZE. EXTRA HARD.
- 3. RECOMMENDED APPLICATION DATA.
  - A. RECOMMENDED HOLE PATTERN IS SHOWN IN FIGURE A.
  - B. ALL MATING PINS TO BE .025/.64 SQUARE ON TRUE CENTER OF GIVEN SPACINGS WITHIN .015/.38 DIAMETER.
  - C. SUGGESTED MATING PIN LENGTH .210 ±.020 / .33 ±.51.
  - D. TERMINAL CAN ONLY BE USED FOR PC BOARD WITH NON-PLATED THROUGH HOLES.
  - E. RECOMMENDED PC BOARD THICKNESS, .062/1.58.
- 4. PREPLATED POST STAMPED TERMINALS.
- 5. "FCI", FCI FINAL PART NUMBER AND DATE CODE TO BE MARKED ON TUBE LABEL.
- ⑥ ADD LF SUFFIX AT THE END OF PART NUMBER FOR LEAD FREE OPTION.
- 7. THESE PRODUCTS MEETS EUROPEAN UNION DIRECTIVES AND OTHER COUNTRY REGULATION AS DESCRIBED IN GS-22-008.
- ⑧ "THIS PRODUCT HAS 100% TIN PLATING IN THE INTERFACE AND HAS NOT BEEN TESTED FOR WHISKER GROWTH IN ALL INTERCONNECT ENVIRONMENT".
- ⑨ PLATING OPTIONS:  
MAY BE EITHER GOLD OR GXT PLATED AT MANUFACTURER'S OPTION.

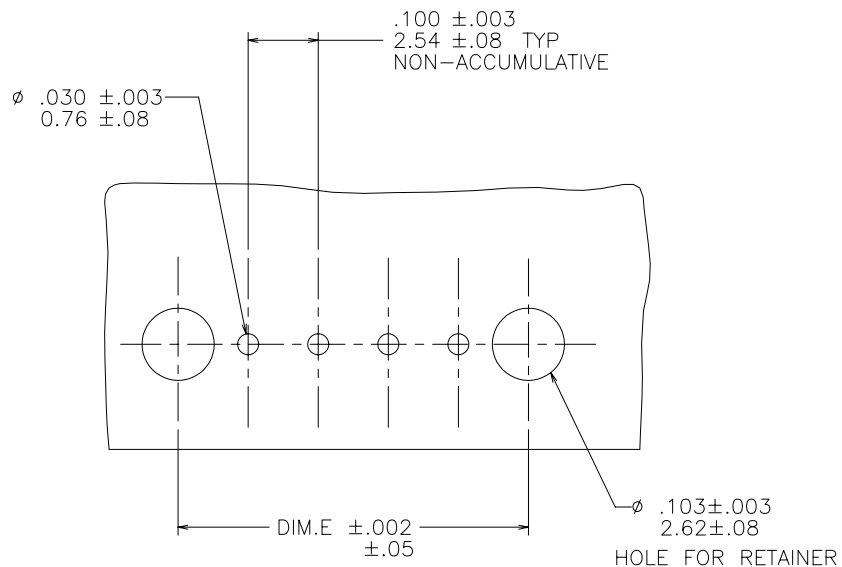


FIGURE A



FCIconnect.com

Copyright FCI

mat'l. code		surface		tolerance		projection		product family	
-		ISO 1302 ✓		ISO 406 ISO 1101		⊕		DUBOX	
ltr		ecn no dr		date		tolerances unless otherwise specified		title	
M						.xx ±.01/.3 .xxx ±.005/.13 .xxxx ±.0020/.051		DUBOX LATCHED THRU MOUNT S/R VERTICAL CARD CONN. ASS'Y	
						INCH/MM		dwg no	
						scale 8:1		sheet 2 of 5 size	
				dr J.SHREINER 12/3/90				90099 A3	
				enr M. HAHN 12/3/90				type Product Customer Drawing	
				chr M. HAHN 12/3/90					
				appd M. HAHN 12/3/90					
sheet index		revision sheet							

1

2

3

4

5

6

PRODUCT NO NOTE 6	PLATING CONTACT AREA	PLATING SOLDER TAIL	
90099-3XX	30u"/.76u Au MIN OVER 50u"/1.27u Ni MIN	100u"/160u" 2.54u/4.06u SN	SEE NOTE 9
90099-4XX	100u"/160u" 2.54u/4.06u SN	100u"/160u" 2.54u/4.06u SN	
90099-6XX	30u"/.76u Au MIN OVER 50u"/1.27u Ni MIN	100u"/160u" 2.54u/4.06u SN	SEE NOTE 9



FCIconnect.com

Copyright FCI

mat'l. code		surface		tolerance		projection		product family	
-		ISO 1302 <input checked="" type="checkbox"/>		ISO 406 ISO 1101				DUBOX	
ltr	ecn	no	dr	date	tolerances unless otherwise specified		title		
M					angles	linear	INCH/MM		
					0°±2'	.xx ±.01/3 .xxx ±.005/.13 .xxx ±.0020/.051	scale 8:1		
					dr	J.SHREINER	12/3/90		
					enr	M. HAHN	12/3/90		
					chr	M. HAHN	12/3/90		
					appd	M. HAHN	12/3/90		
sheet		revision							
index		sheet							



form: A3

PRODUCT NO.	NO. OF POS.	DIM C	DIM D	DIM E	LF OPTIONS
90099-Y02	1 X 2	.100/2.54	.417/10.59	.300/7.62	
-Y03	1 X 3	.200/5.08	.517/13.13	.400/10.16	
-Y04	1 X 4	.300/7.62	.617/15.67	.500/12.70	
-Y05	1 X 5	.400/10.16	.717/18.21	.600/15.24	
-Y06	1 X 6	.500/12.70	.817/20.75	.700/17.78	
-Y07	1 X 7	.600/15.24	.917/23.29	.800/20.32	
-Y08	1 X 8	.700/17.78	1.017/25.83	.900/22.86	
-Y09	1 X 9	.800/20.32	1.117/28.37	1.000/25.40	
-Y10	1 X 10	.900/22.86	1.217/30.91	1.100/27.94	
-Y11	1 X 11	1.000/25.40	1.317/33.45	1.200/30.48	
-Y12	1 X 12	1.100/27.94	1.417/35.99	1.300/33.02	
-Y13	1 X 13	1.200/30.48	1.517/38.53	1.400/35.56	
-Y14	1 X 14	1.300/33.02	1.617/41.07	1.500/38.10	
-Y15	1 X 15	1.400/35.56	1.717/43.61	1.600/40.64	
-Y16	1 X 16	1.500/38.10	1.817/46.15	1.700/43.18	
-Y17	1 X 17	1.600/40.64	1.917/48.69	1.800/45.72	
-Y18	1 X 18	1.700/43.18	2.017/51.23	1.900/48.26	
-Y19	1 X 19	1.800/45.72	2.117/53.77	2.000/50.80	
-Y20	1 X 20	1.900/48.26	2.217/56.31	2.100/53.34	
-Y21	1 X 21	2.000/50.80	2.317/58.85	2.200/55.08	
-Y22	1 X 22	2.100/53.34	2.417/61.39	2.300/58.42	
-Y23	1 X 23	2.200/55.88	2.517/63.93	2.400/60.96	
-Y24	1 X 24	2.300/58.42	2.617/66.47	2.500/63.50	
90099-Y25	1 X 25	2.400/60.96	2.717/69.01	2.600/66.04	

NOTE 6



FCIconnect.com

Copyright FCI

mat'l. code		surface		tolerance		projection		product family	
-		ISO 1302		ISO 406				DUBOX	
				ISO 1101				title	
ltr		ecn no/dr		date		tolerances unless otherwise specified			
M						.xx ±.01/.3 .xxx ±.005/.13 .xxxx ±.0020/.051		DUBOX LATCHED THRU MOUNT S/R VERTICAL CARD CONN. ASS'Y	
						scale 8:1		dwg no sheet 4 of 5 size	
								90099 A3	
								type Product Customer Drawing	
sheet index		revision sheet							

form: A3

PRODUCT NO.	NO. OF POS.	DIM C	DIM D	DIM E	LF OPTIONS
90099-Y26	1 X 26	2.500/63.50	2.817/71.55	2.700/68.58	
-Y27	1 X 27	2.600/66.04	2.917/74.09	2.800/71.12	
-Y28	1 X 28	2.700/68.58	3.017/76.63	2.900/73.66	
-Y29	1 X 29	2.800/71.12	3.117/79.17	3.000/76.20	
-Y30	1 X 30	2.900/73.66	3.217/81.71	3.100/78.74	
-Y31	1 X 31	3.000/76.20	3.317/84.25	3.200/81.28	
-Y32	1 X 32	3.100/78.74	3.417/86.79	3.300/83.82	
-Y33	1 X 33	3.200/81.28	3.517/89.33	3.400/86.36	
-Y34	1 X 34	3.300/83.82	3.617/91.87	3.500/88.90	
-Y35	1 X 35	3.400/86.36	3.717/94.41	3.600/91.44	
-Y36	1 X 36	3.500/88.90	3.817/96.95	3.700/93.98	
-Y37	1 X 37	3.600/91.44	3.917/99.49	3.800/96.52	
-Y38	1 X 38	3.700/93.98	4.017/102.03	3.900/99.06	
-Y39	1 X 39	3.800/96.52	4.117/104.57	4.000/101.60	
-Y40	1 X 40	3.900/99.06	4.217/107.11	4.100/104.14	
-Y41	1 X 41	4.000/101.60	4.317/109.65	4.200/106.68	
-Y42	1 X 42	4.100/104.14	4.417/112.19	4.300/109.22	
-Y43	1 X 43	4.200/106.68	4.517/114.73	4.400/111.76	
-Y44	1 X 44	4.300/109.22	4.617/117.27	4.500/114.30	
-Y45	1 X 45	4.400/111.76	4.717/119.81	4.600/116.84	
-Y46	1 X 46	4.500/114.30	4.817/122.35	4.700/119.38	
-Y47	1 X 47	4.600/116.84	4.917/124.89	4.800/121.92	
90099-Y48	1 X 48	4.700/119.38	5.017/127.43	4.900/124.46	
90099-Y49	1 X 49	4.800/121.92	5.117/129.97	5.000/127.00	---
90099-Y50	1 X 50	4.900/124.46	5.217/132.51	5.100/129.54	---

NOTE 6

mat'l. code		surface		tolerance		projection		product family	
-		ISO 1302		ISO 406				DUBOX	
				ISO 1101					
ltr		ecn no		date		tolerances unless otherwise specified		title	
M						.xx ±.01/3 .xxx ±.005/.13 .xxx ±.0020/.051		DUBOX LATCHED THRU MOUNT S/R VERTICAL CARD CONN. ASS'Y	
						linear 0'±2'		INCH/MM scale 8:1	
						dr J.SHREINER 12/3/90 engr M. HAHN 12/3/90 chr M. HAHN 12/3/90 appd M. HAHN 12/3/90		dwg no 90099 sheet 5 of 5 size A3	
								type Product Customer Drawing	
sheet index		revision sheet							



Copyright FCI

# Mouser Electronics

Authorized Distributor

Click to View Pricing, Inventory, Delivery & Lifecycle Information:

[FCI / Amphenol:](#)

[90099-318LF](#) [90099-320LF](#) [90099-608LF](#) [90099-612LF](#) [90099-620LF](#) [90099-307LF](#)