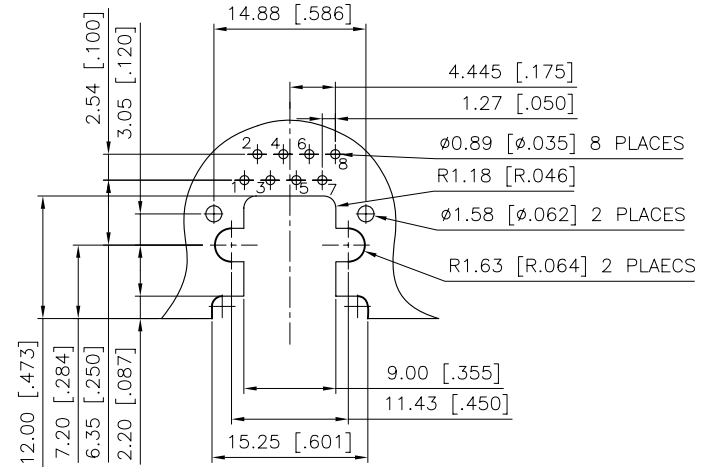
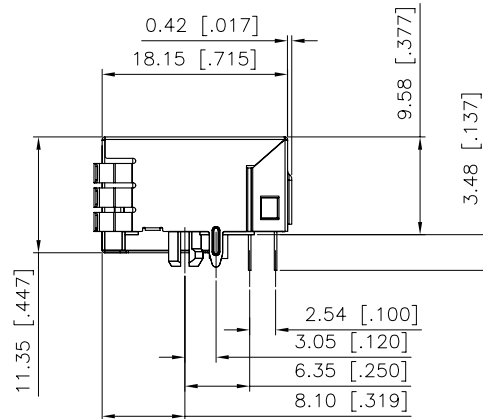
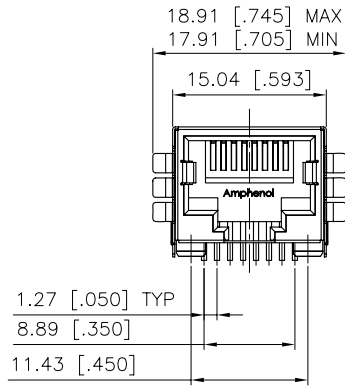
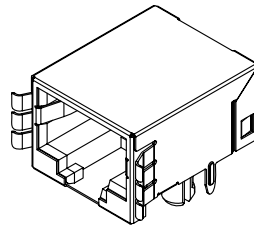
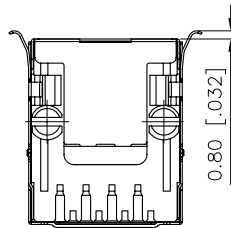


A B C D E F

REVISIONS				
REV	ECN, ERN NO.	DATE	REV.BY	APPRD.
A	PROPOSAL PER ECN E07035	FEB 27/07		L.Chan
G	ISSUE DRAWING PER ECN E07290	JUN 09.07		L.Chan
H	PROPOSAL PER ECN E07390	Nov 6.07		L.Chan
J	PROPOSAL	Jan 30.08		L.Chan



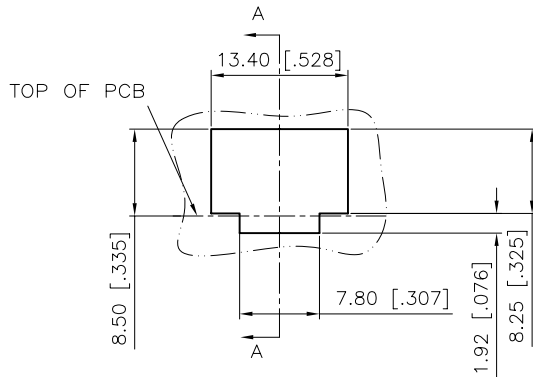
RECCMMENDED P.C.B. LAYOUT



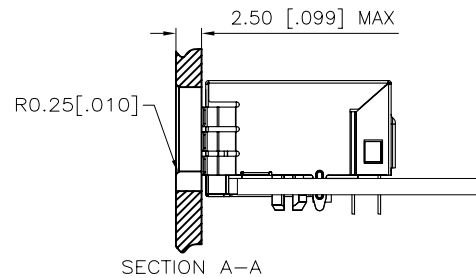
AMPHENOL PART NUMBER: RJULE-4X182-01

CONTACT PLATING CODE

- 0 = GOLD FLASH
- 1 = 15u"
- 2 = 30u"
- 3 = 50u"



RECOMMENDED PANEL CUTOUT



SIDE VIEW SHOWING JACK RELATION TO PANEL

NOTES:

MATERIALS:

HOUSING: HIGH TEMPERATURE THERMOPLASTIC.
FLAMMABILITY RATING UL 94V-0
COLOUR: BLACK

CONTACTS: PHOSPHOR BRONZE

PLATING: GOLD PLATING ON MATING SURFACES.
SEE PART NUMBER SYSTEM OPTION
50 u" [1.27 MICRONS] MIN. NICKEL UNDERPLATE.
100 u" [2.54 MICRONS] MIN. MATTE TIN ON
SOLDER AREA.

SHELL: BRASS

PLATING NICKEL

UNLESS OTHERWISE SOECIFIED
DIMENSION ARE IN mm
TOLERANCE ARE :

- .X ±0.50
- .XX ±0.30

DRAWN	Jack Wang	DATE	FEB 27/07
DESIGNED			
CHECKED	MT.Chen	DATE	FEB 27/07
I. E. APPRD.	YM Lee	DATE	FEB 27/07
Q. A. APPRD.			
DWG. APPRD.			
ENG. REL. NO.			
REF.			
DIMENSIONS ARE IN	CODE ID. NO.		
mm[INCHES]			

Amphenol Canada Corp.

TITLE RJ ULTRA LOW PROFILE MODULAR JACK
8 POSITION,8 CONTACTS, SHIELD
WITH REAR PANEL MOUNT TABS.
WITHOUT FLANGE-RoHS COMPLIANT

DWG	DRAWING NO.	REV.
	P- RJULE-4X182-01	J

SCALE 1:1 WT. ----- SURF. ----- SHEET 1 of 1

THIS DOCUMENT CONTAINS PROPRIETARY INFORMATION AND SUCH INFORMATION
MAY NOT BE DISCLOSED TO OTHERS FOR ANY PURPOSE OR USED FOR MANUFACTURING
PURPOSES WITHOUT WRITTEN PERMISSION FROM AMPHENOL CANADA CORP.

A B C D E F