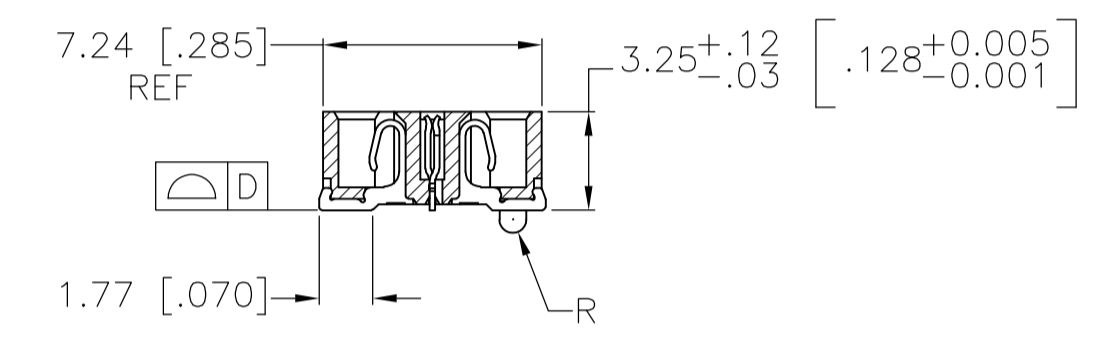
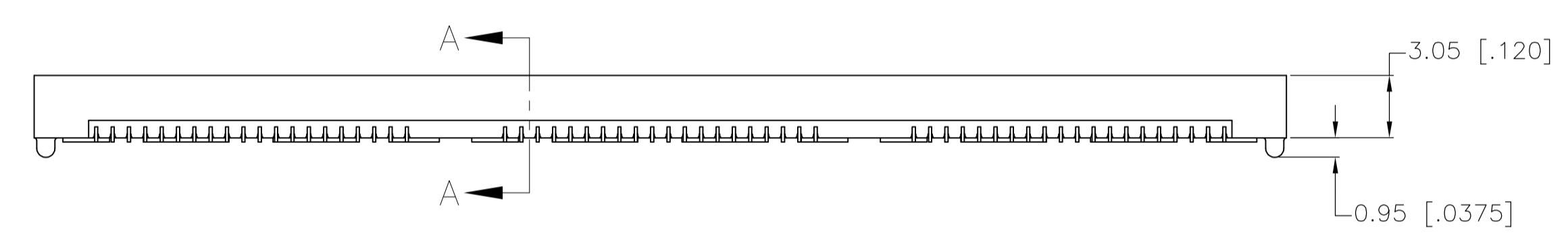
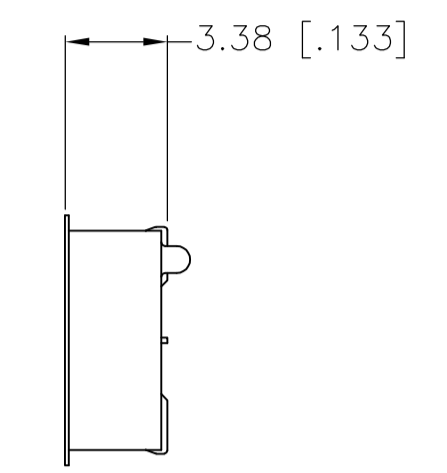
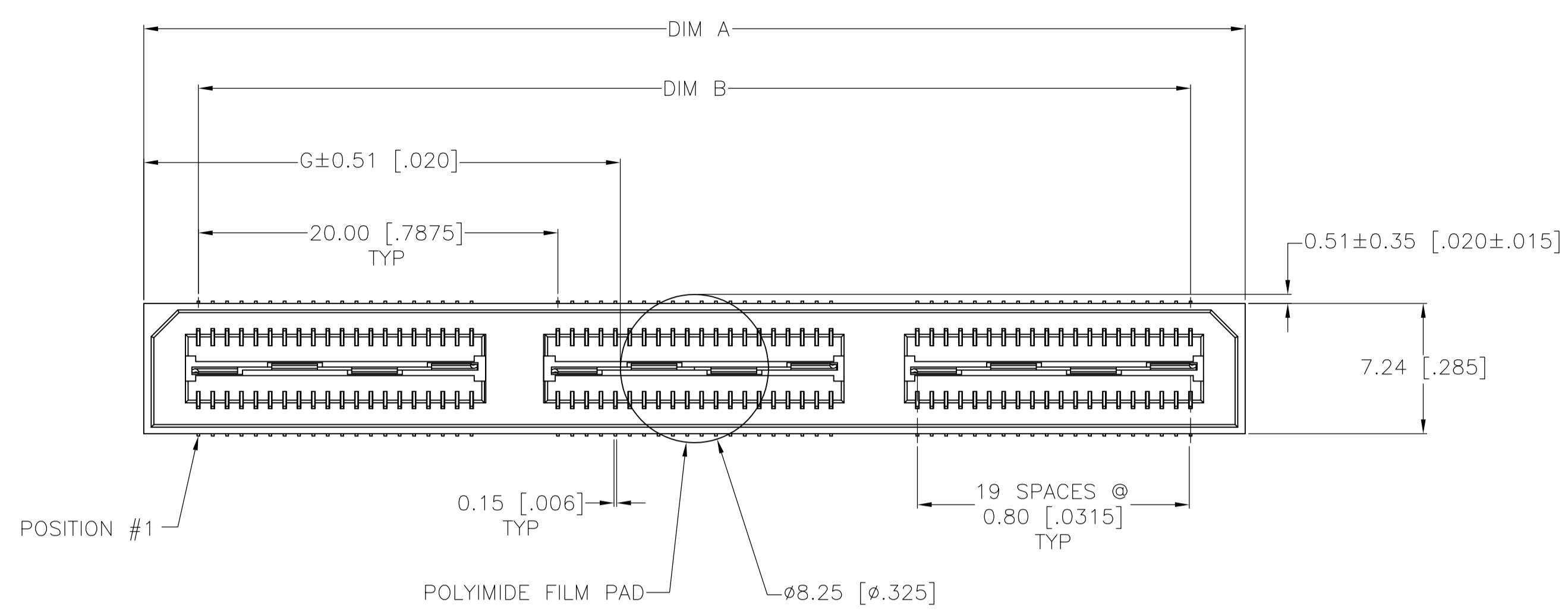
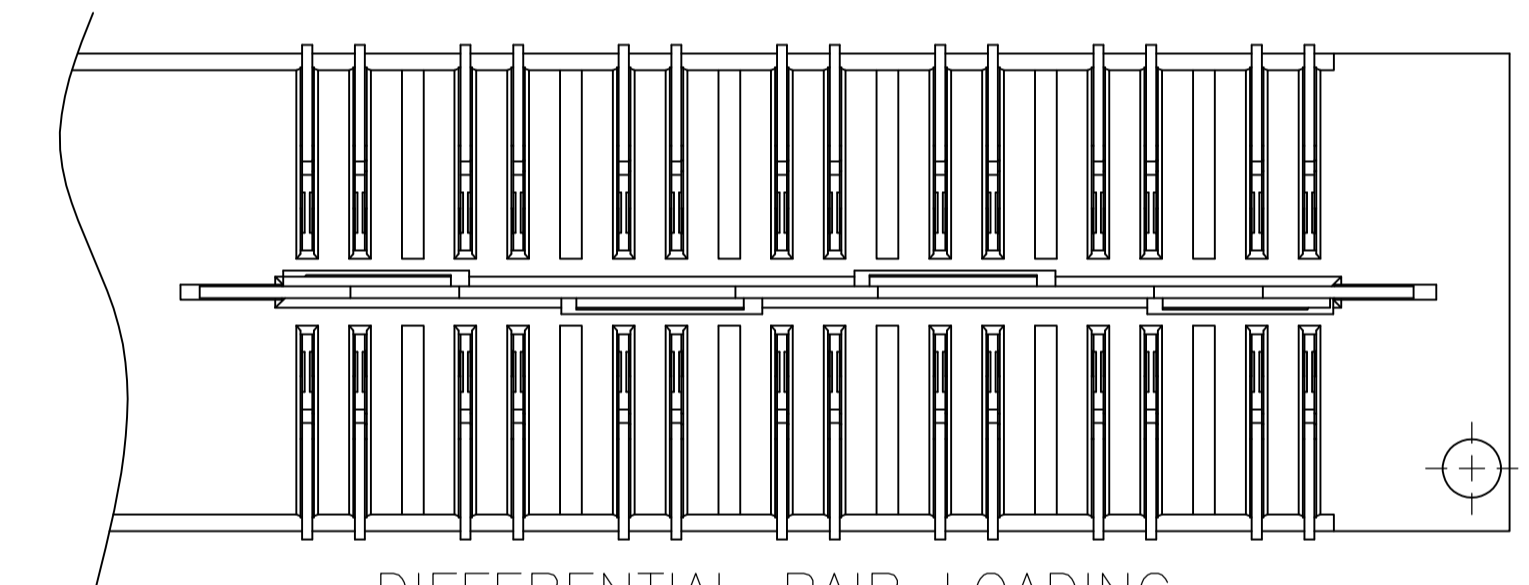
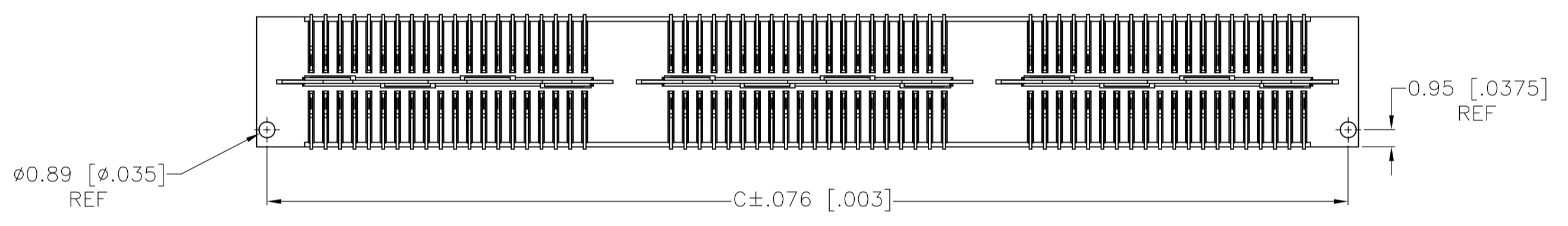


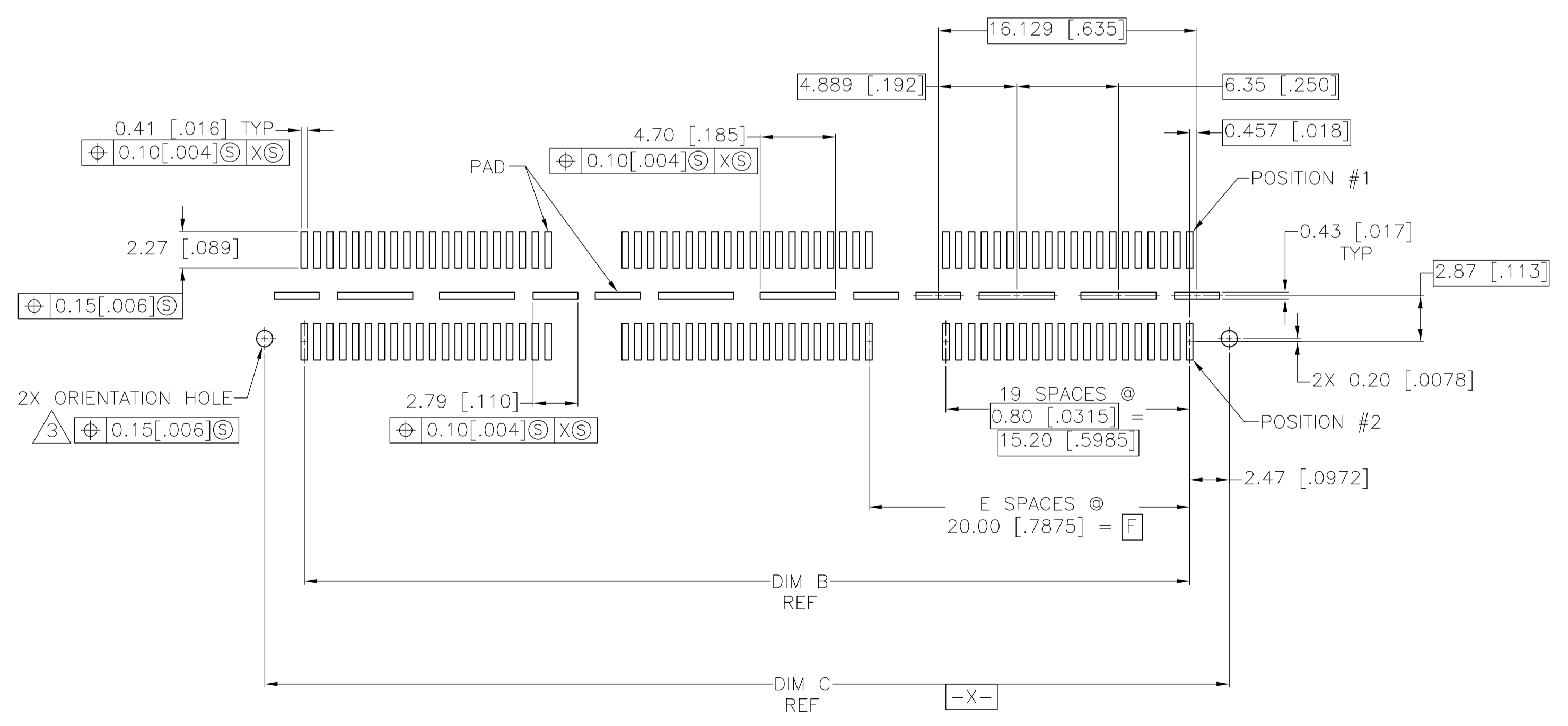
- 1 HOUSING: LCP, BLACK.
CONTACT & GROUND PLANE: PHOS BRONZE.
- 2 CONTACT PLATING: SELECT 0.25 MICROMETERS (.00010 IN) MIN. GOLD.
- 3 FOR STANDARD APPLICATIONS, ORIENTATION HOLE TO BE $\phi 1.02 [\phi 0.400]$.
- 4 OBSOLETE PARTS: OBSOLETE CIS STREAMLINING PER D.RENAUD/D.SINISI



SECTION A-A



DIFFERENTIAL PAIR LOADING (BOTTOM VIEW) SCALE 2:1



RECOMMENDED PC BOARD LAYOUT VIEWED FROM CONNECTOR SIDE

| ABOLETE | 26.52(1.044) | 40.00(1.575) | 2 | 0.152(.0060) | 60.13(2.368) | 55.20(2.173) | 61.28(2.412) | YES | POCKET TAPE | YES | 84 | 7-1658012-3 |
|---------|--------------|--------------|---|--------------|---------------|--------------|---------------|-----|-------------|-----|-----|-------------|
| | 16.51(.650) | 20.00(.7874) | 1 | 0.102(.0040) | 40.13(1.580) | 35.20(1.386) | 41.28(1.625) | YES | POCKET TAPE | YES | 56 | 7-1658012-2 |
| | 6.52(.257) | 0(.000) | 0 | 0.102(.0040) | 20.13(.793) | 15.20(.598) | 21.29(.838) | YES | POCKET TAPE | YES | 28 | 7-1658012-1 |
| | 26.52(1.044) | 40.00(1.575) | 2 | 0.152(.0060) | 60.13(2.368) | 55.20(2.173) | 61.28(2.412) | YES | POCKET TAPE | NO | 120 | 6-1658012-3 |
| | 16.51(.650) | 20.00(.7874) | 1 | 0.102(.0040) | 40.13(1.580) | 35.20(1.386) | 41.28(1.625) | YES | POCKET TAPE | NO | 80 | 6-1658012-2 |
| | 6.52(.257) | 0(.000) | 0 | 0.102(.0040) | 20.13(.793) | 15.20(.598) | 21.29(.838) | YES | POCKET TAPE | NO | 40 | 6-1658012-1 |
| | - | 40.00(1.575) | 2 | 0.152(.0060) | 60.13(2.368) | 55.20(2.173) | 61.28(2.412) | NO | POCKET TAPE | YES | 84 | 5-1658012-3 |
| | - | 20.00(.7874) | 1 | 0.102(.0040) | 40.13(1.580) | 35.20(1.386) | 41.28(1.625) | NO | POCKET TAPE | YES | 56 | 5-1658012-2 |
| | - | 0(.000) | 0 | 0.102(.0040) | 20.13(.793) | 15.20(.598) | 21.29(.838) | NO | POCKET TAPE | YES | 28 | 5-1658012-1 |
| | - | 40.00(1.575) | 2 | 0.152(.0060) | 60.13(2.368) | 55.20(2.173) | 61.28(2.412) | NO | POCKET TAPE | NO | 120 | 4-1658012-3 |
| | - | 20.00(.7874) | 1 | 0.102(.0040) | 40.13(1.580) | 35.20(1.386) | 41.28(1.625) | NO | POCKET TAPE | NO | 80 | 4-1658012-2 |
| | - | 0(.000) | 0 | 0.102(.0040) | 20.13(.793) | 15.20(.598) | 21.29(.838) | NO | POCKET TAPE | NO | 40 | 4-1658012-1 |
| | 46.53(1.832) | 80.00(3.150) | 4 | 0.152(.0060) | 100.14(3.943) | 95.20(3.748) | 101.30(3.988) | YES | TRAY | YES | 140 | 3-1658012-5 |
| | 36.52(1.438) | 60.00(2.362) | 3 | 0.152(.0060) | 80.14(3.155) | 75.20(2.961) | 81.28(3.200) | YES | TRAY | YES | 112 | 3-1658012-4 |
| | 26.52(1.044) | 40.00(1.575) | 2 | 0.152(.0060) | 60.13(2.368) | 55.20(2.173) | 61.28(2.412) | YES | TRAY | YES | 84 | 3-1658012-3 |
| | 16.51(.650) | 20.00(.7874) | 1 | 0.102(.0040) | 40.13(1.580) | 35.20(1.386) | 41.28(1.625) | YES | TRAY | YES | 56 | 3-1658012-2 |
| | 6.52(.257) | 0(.000) | 0 | 0.102(.0040) | 20.13(.793) | 15.20(.598) | 21.29(.838) | YES | TRAY | YES | 28 | 3-1658012-1 |
| | - | 80.00(3.150) | 4 | 0.152(.0060) | 100.14(3.943) | 95.20(3.748) | 101.30(3.988) | NO | TRAY | YES | 140 | 2-1658012-5 |
| | - | 60.00(2.362) | 3 | 0.152(.0060) | 80.14(3.155) | 75.20(2.961) | 81.28(3.200) | NO | TRAY | YES | 112 | 2-1658012-4 |
| | - | 40.00(1.575) | 2 | 0.152(.0060) | 60.13(2.368) | 55.20(2.173) | 61.28(2.412) | NO | TRAY | YES | 84 | 2-1658012-3 |
| | - | 20.00(.7874) | 1 | 0.102(.0040) | 40.13(1.580) | 35.20(1.386) | 41.28(1.625) | NO | TRAY | YES | 56 | 2-1658012-2 |
| | - | 0(.000) | 0 | 0.102(.0040) | 20.13(.793) | 15.20(.598) | 21.29(.838) | NO | TRAY | YES | 28 | 2-1658012-1 |
| | - | 80.00(3.150) | 4 | 0.152(.0060) | 100.14(3.943) | 95.20(3.748) | 101.30(3.988) | NO | TRAY | NO | 200 | 1-1658012-5 |
| | - | 60.00(2.362) | 3 | 0.152(.0060) | 80.14(3.155) | 75.20(2.961) | 81.28(3.200) | NO | TRAY | NO | 160 | 1-1658012-4 |
| | - | 40.00(1.575) | 2 | 0.152(.0060) | 60.13(2.368) | 55.20(2.173) | 61.28(2.412) | NO | TRAY | NO | 120 | 1-1658012-3 |
| | - | 20.00(.7874) | 1 | 0.102(.0040) | 40.13(1.580) | 35.20(1.386) | 41.28(1.625) | NO | TRAY | NO | 80 | 1-1658012-2 |
| | - | 0(.000) | 0 | 0.102(.0040) | 20.13(.793) | 15.20(.598) | 21.29(.838) | NO | TRAY | NO | 40 | 1-1658012-1 |
| | | | | | | | | | | | | |

THIS DRAWING IS A CONTROLLED DOCUMENT.

DIMENSIONS: mm [INCHES]

TOLERANCES UNLESS OTHERWISE SPECIFIED:

0 PL ± .01

1 PL ± 0.01

2 PL ± 0.15 [0.005]

3 PL ± 0.05 [0.002]

4 PL ± .01

ANGLES ± .2°

MATERIAL: 1

FINISH: 2

THIS DRAWING IS A CONTROLLED DOCUMENT.

DIN 180CT04

CMCMASTER 180CT04

APVD D DIXON 180CT04

NAME: RECEPTACLE ASSEMBLY, VERTICAL 0.80MM CL.

SIZE: A1

SCALE: 4:1

SHEET: 1 OF 1

REV: M2

Mouser Electronics

Authorized Distributor

Click to View Pricing, Inventory, Delivery & Lifecycle Information:

[TE Connectivity:](#)

[3-1658012-2](#)