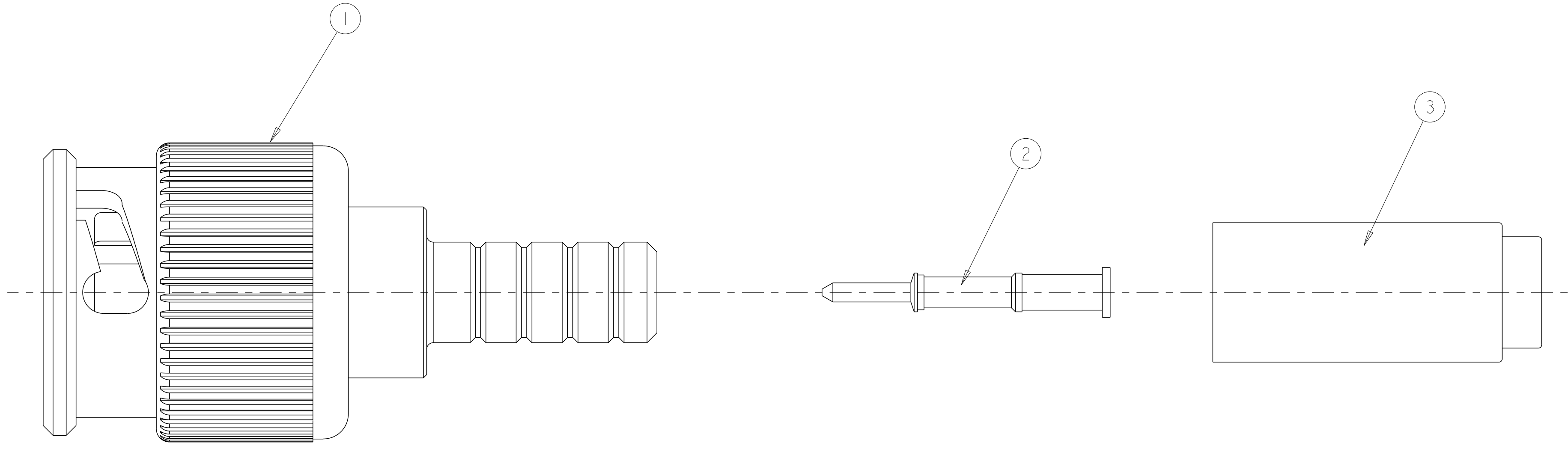


THIS DRAWING IS UNPUBLISHED. RELEASED FOR PUBLICATION 20  
 © COPYRIGHT 20 BY - ALL RIGHTS RESERVED.

LOC	DIST	REVISIONS			
P	LTR	DESCRIPTION	DATE	DWN	APVD
		D3	REVISED PER ECR-16-005294	12APR2016	BW RS
		D4	REVISED PER ECR-17-009545	04AUG2017	AS RS



- 1. ITEMS PACKAGED UNASSEMBLED
- 2. SEE SEPARATE CUSTOMER DRAWINGS FOR ITEM DETAILS
- 3. SEE INSTRUCTION SHEET 408-8871 FOR CABLE TERMINATION DETAILS

	RG179	.042 [1.07]	.178 [4.52]	9-413658-0	1274565-6	1274564-3	1274563-3
OBSOLETE	734A	.042 [1.07]	.255 [6.48]	9-221132-3	1274565-4	1274564-2	1274563-2
OBSOLETE	735A	.042 [1.07]	.178 [4.52]	9-413658-2	1274565-2	1274564-1	1274563-1
	CABLE	CONTACT CRIMP (SQUARE)	FERRULE CRIMP (HEX)	③ FERRULE QTY = 1	② CONTACT QTY = 1	① PLUG ASSY QTY = 1	PART NUMBER

THIS DRAWING IS A CONTROLLED DOCUMENT.

DIMENSIONS: INCHES [mm]	TOLERANCES UNLESS OTHERWISE SPECIFIED: 0 PLC ± 1 PLC ± 2 PLC ± 3 PLC ± 4 PLC ± ANGLES ± FINISH	DWN K. WEIDNER 03OCT2003 CHK G. MICHAEL 13FEB2004 APVD K. WEIDNER 13FEB2004	STE TE Connectivity
MATERIAL		PRODUCT SPEC 108-2159 APPLICATION SPEC	NAME STRAIGHT PLUG KIT, MINI BNC
		WEIGHT	SIZE A2 CAGE CODE 00779 DRAWING NO. C-1274563 RESTRICTED TO
		CUSTOMER DRAWING	SCALE 2:1 SHEET 1 OF 1 REV D4

# Mouser Electronics

Authorized Distributor

Click to View Pricing, Inventory, Delivery & Lifecycle Information:

[TE Connectivity:](#)

[1274563-2](#)