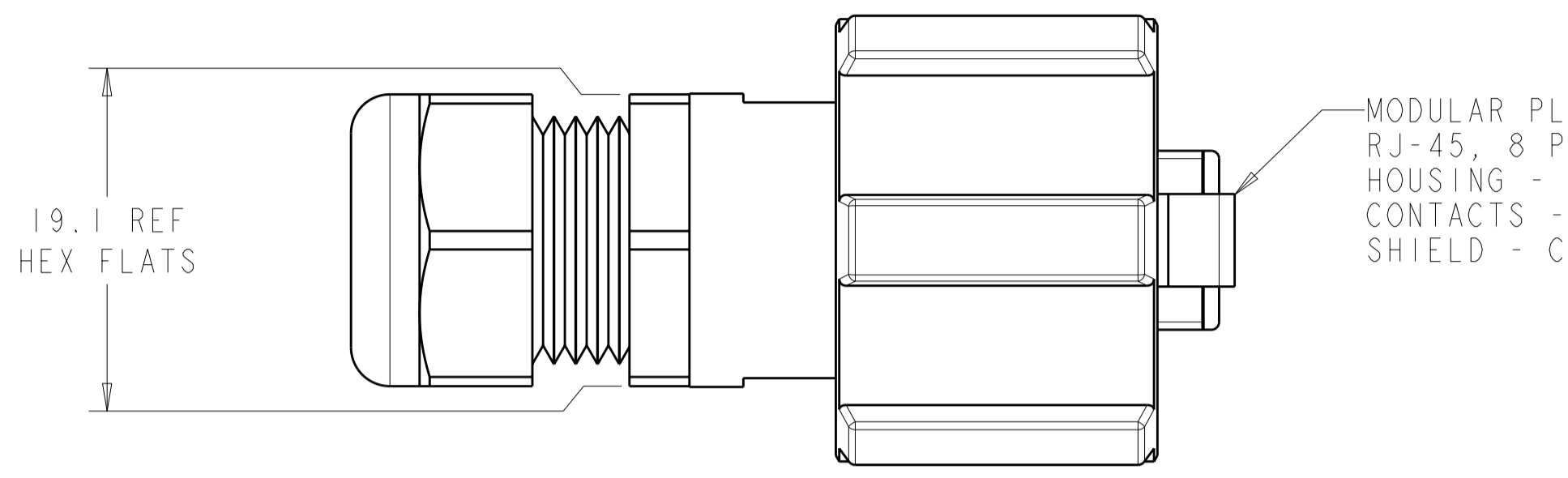
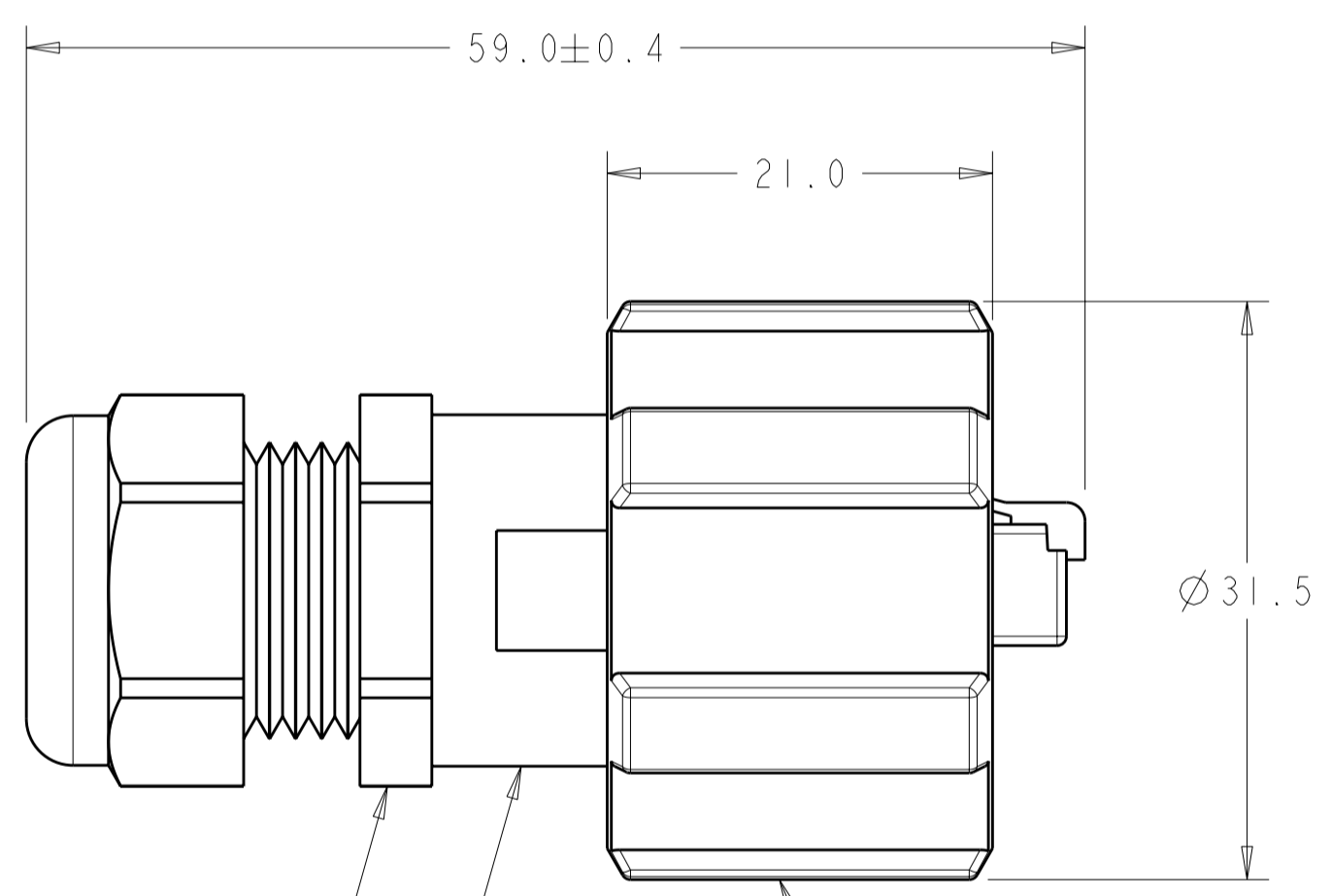


THIS DRAWING IS UNPUBLISHED. RELEASED FOR PUBLICATION 2011
 © COPYRIGHT 2011 ALL RIGHTS RESERVED.

LOC	DIST	REVISIONS			
P	LTR	DESCRIPTION	DATE	DWN	APVD
FT	0	CI	REVISED PER ECO-11-005027	14MAY2011	RK HMR



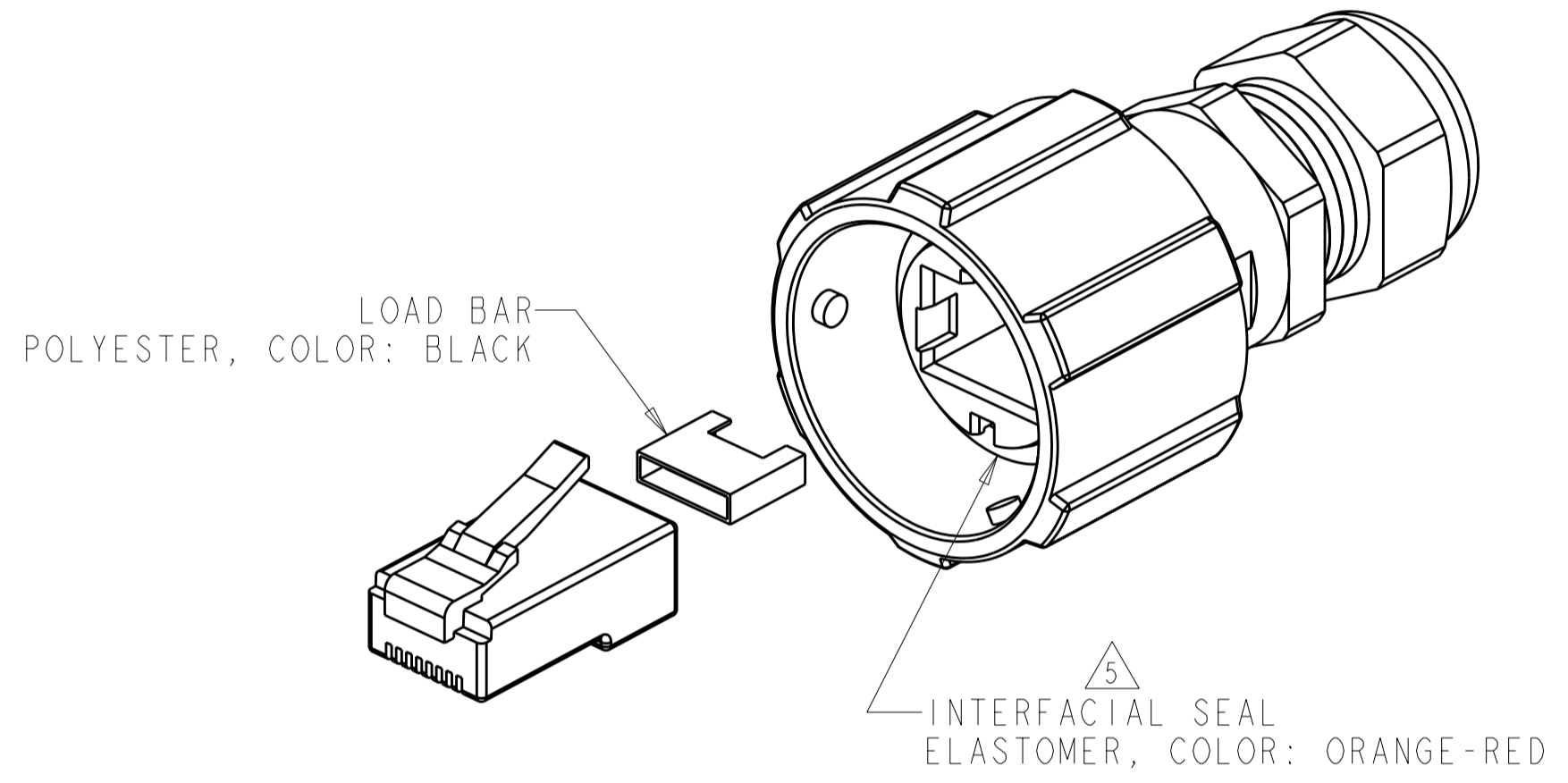
MODULAR PLUG ASSEMBLY
 RJ-45, 8 POSITION-SEE TABULATION BELOW
 HOUSING - CLEAR POLYCARBONATE
 CONTACTS - PHOSPHOR BRONZE, GOLD OVER NICKEL
 SHIELD - COPPER ALLOY W/ SEMI-BRIGHT NICKEL PLATE (-3 & -4 ONLY)



① CABLE FITTING AND ELASTOMER
 POLYAMIDE COLOR: BLACK

④ PLUG HOUSING
 POLYESTER, COLOR: BLACK

COUPLING RING
 POLYESTER, COLOR: BLACK



SCALE 2:1

- ① CABLE DIAMETER RANGE, 4.6 mm TO 7.9 mm, CABLE FITTING ONLY, SEE APPLICATION SPECIFICATION FOR PLUG TERMINATION INFORMATION
- 2. THIS PRODUCT HAS NOT COMPLETED VALIDATION TESTING.
- 3. PARTS PACKAGED UNASSEMBLED IN POLYBAG.
- ④ GEOMETRY CAN VARY.
- ⑤ ELASTOMER SEAL IS SECURED TO HOUSING WITH ADHESIVE.

DESCRIPTION	CONDUCTOR TYPE	PART NUMBER
SHIELDED	24-26 AWG STRANDED	1738607-4
	24-26 AWG SOLID	1738607-3
UNSHIELDED	24 AWG STRANDED	1738607-2
	24 AWG SOLID	1738607-1

THIS DRAWING IS A CONTROLLED DOCUMENT.		DWN R.L. KOLLER 25MAR04	TE Connectivity	
DIMENSIONS: mm		CHK J. LANDIS 26MAR04		
TOLERANCES UNLESS OTHERWISE SPECIFIED:		APVD S. HEADER 17JUN05	NAME PLUG ASSEMBLY INDUSTRIAL CIRCULAR ETHERNET CONNECTOR	
		PRODUCT SPEC 108-2198	SIZE A2	
MATERIAL		APPLICATION SPEC 114-13136	CAGE CODE 00779	DRAWING NO 1738607
WEIGHT		RESTRICTED TO	SCALE 5:2 SHEET 1 OF 1 REV CI	
CUSTOMER DRAWING				

Mouser Electronics

Authorized Distributor

Click to View Pricing, Inventory, Delivery & Lifecycle Information:

[TE Connectivity:](#)

[1738607-3](#) [1738607-4](#)