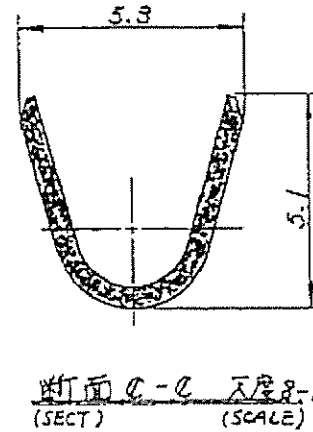
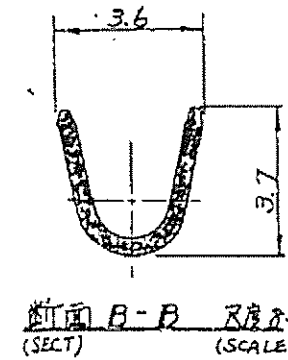
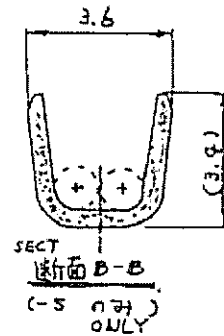
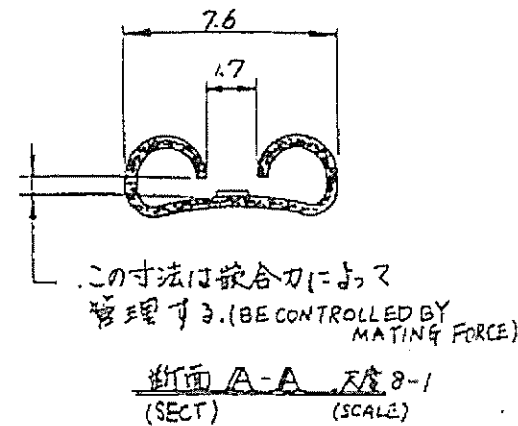
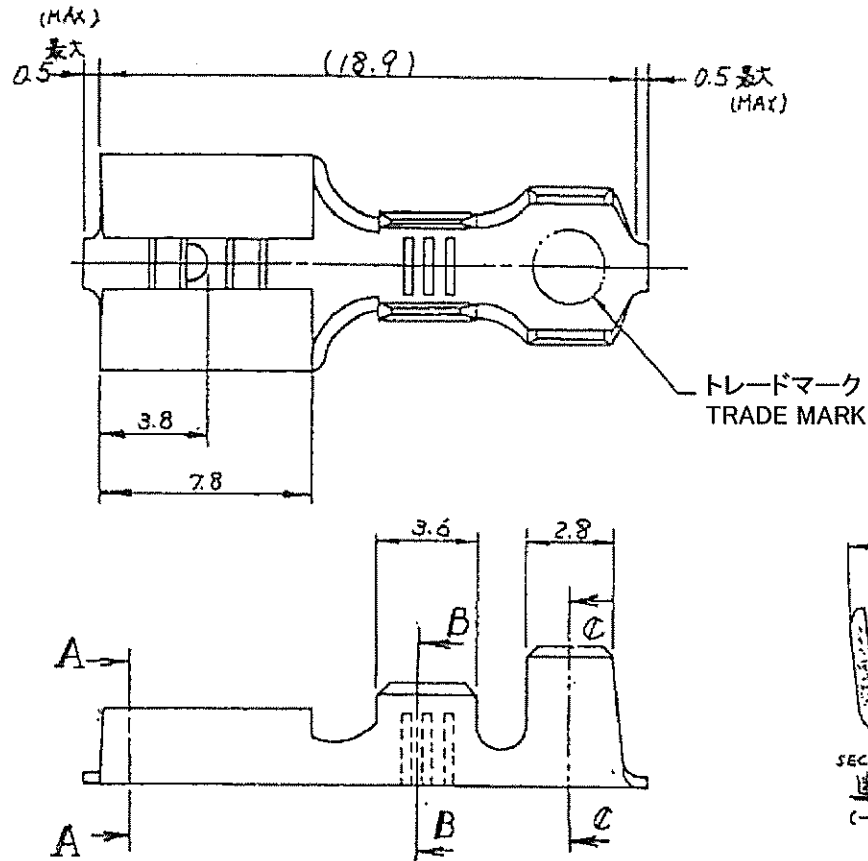


REVIS		REVISIONS						
LOC	DTST	P	LTR	DESCRIPTION	ECN	DATE	OWN	APVD
J								
		D1		REVISED PER ECO-11-005030		22MAR11	RK	HMR



注: 1 嵌合するタブの詳細についてはCP-63-048Jの
 図面を参照のこと
 2. 製品規格番号 108-5006
 △ ストレス除去処理
 処理法により外観が変わります。
 不活性ガス加熱方式.....無光沢
 大気加熱方式.....光沢

型式 (P/N)	材質 (MATERIAL)	仕上 (FINISH)
170213-5	黄銅 (BRASS)	錫めっき (TIN PL)
170213-1	黄銅 (BRASS)	— △
170213-2	黄銅 (BRASS)	錫めっき (TIN PL)
170213-3	黄銅 (BRASS)	錫めっき (TIN PL)
170213-4	黄銅 (BRASS)	— △

OBSOLETE

NOTES: 1. SEE DRAWING OF CP-63-048J FOR THE DETAIL OF MATING TAB.
 2. PRODUCT SPEC: 108-5006
 △ STRESS RELIEVING

FINISH IS SUBJECT TO CHANGE BY THE TYPE OF STRESS RELIEVING PROCESS
 INERT GAS FURNACE.....MATTE
 ATMOSPHERIC FURNACE FOLLOWED BY ACID PICKLE.....BRIGHT

DIMENSIONS	TOLERANCES UNLESS OTHERWISE SPECIFIED
	±0.2
	±0.25
	±0.3
	±0.35
	±0.4
	±1.0

DWN	T. Notario 16 JUL '96
CHK	Am. Suzuki 18 JUL '96
APP	Am. Suzuki 18 JUL '96
PRODUCT SPEC	108-5006
APPLICATION SPEC	114-5084
WEIGHT	—

WIRE RANGE 社会電線規格 0.75~2.27 mm² (AWG 18-14)

INSULATION DIA 絶縁外径 2.54~4.32 mm

STE TE Connectivity

(250" SERIES FASTON RECEPTACLE)

"250" シリーズ ファストン リセプタクル

SIZE	CAGE CODE	DRAWING NO
A3	00779	C-170213

SCALE 尺 4-1 SHEET 1 OF 1 REV D1

Mouser Electronics

Authorized Distributor

Click to View Pricing, Inventory, Delivery & Lifecycle Information:

[TE Connectivity:](#)

[170213-1 \(Loose Piece\)](#)