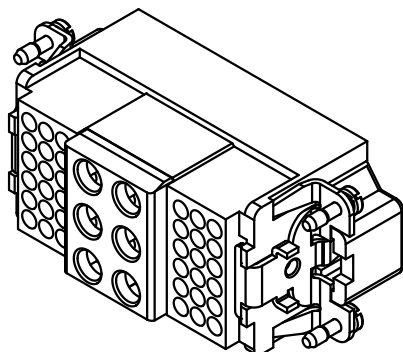
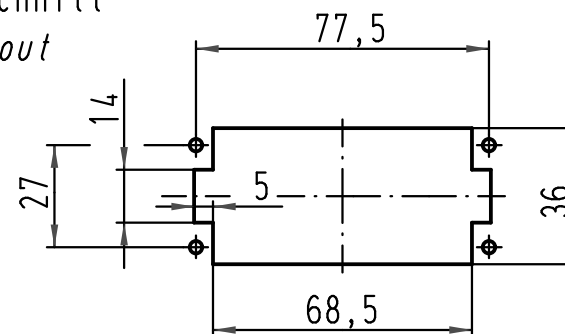


Montageausschnitt  
panel cut out

1:2



All Dimensions in mm Original Size DIN A 4			Techn. Character.			Nicht tolerierte Maß/Free size tolerances	
				Dat.	Name	Maßstab/Scale	Han K6/36-M-c Stifteinsatz / male insert
			Detail.	12.01.10	Rull		
			Insp.		Be		
			Stand.				
B	21.10.10	Spr	HARTING Electric GmbH & Co. KG			1:1	TB 09 38 042 3001 Sub. TB 09 38 042 3001 v. 31.03.93
A			D-32339 Espelkamp				
Mod.	Dat.	Name					Blatt/page

# Mouser Electronics

Authorized Distributor

Click to View Pricing, Inventory, Delivery & Lifecycle Information:

[HARTING:](#)

[09380423001](#)