

FIG. 1

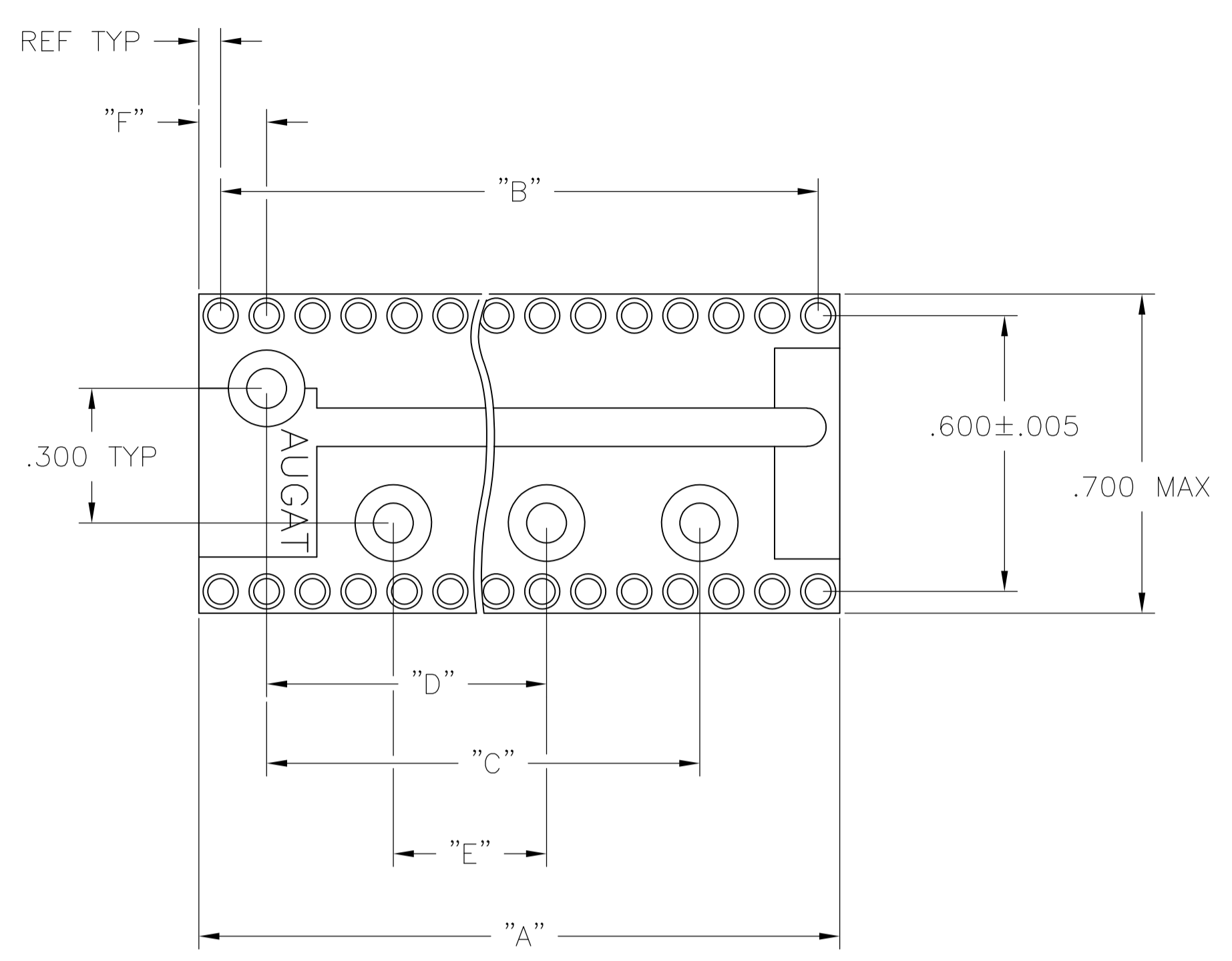


FIG. 2

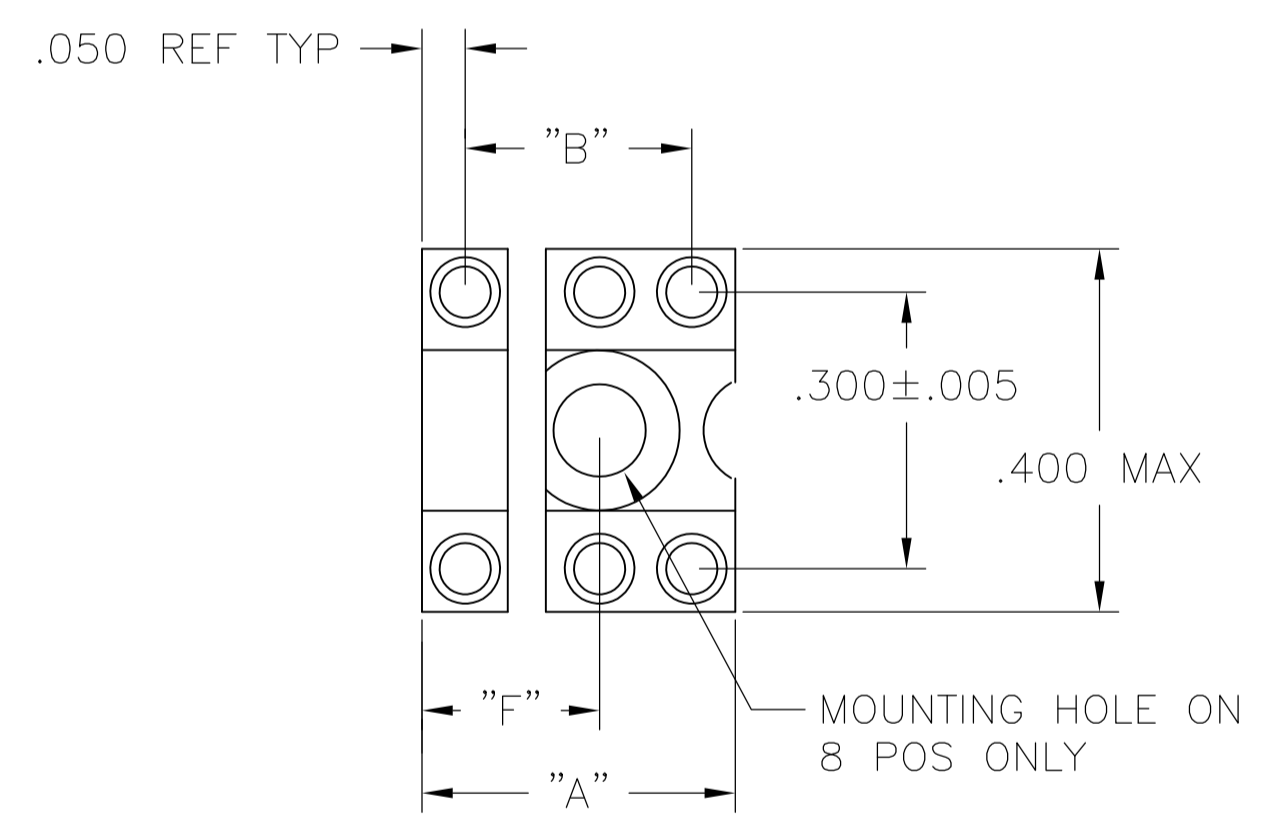


FIG. 3

6 POS MOUNTING HOLE OMITTED

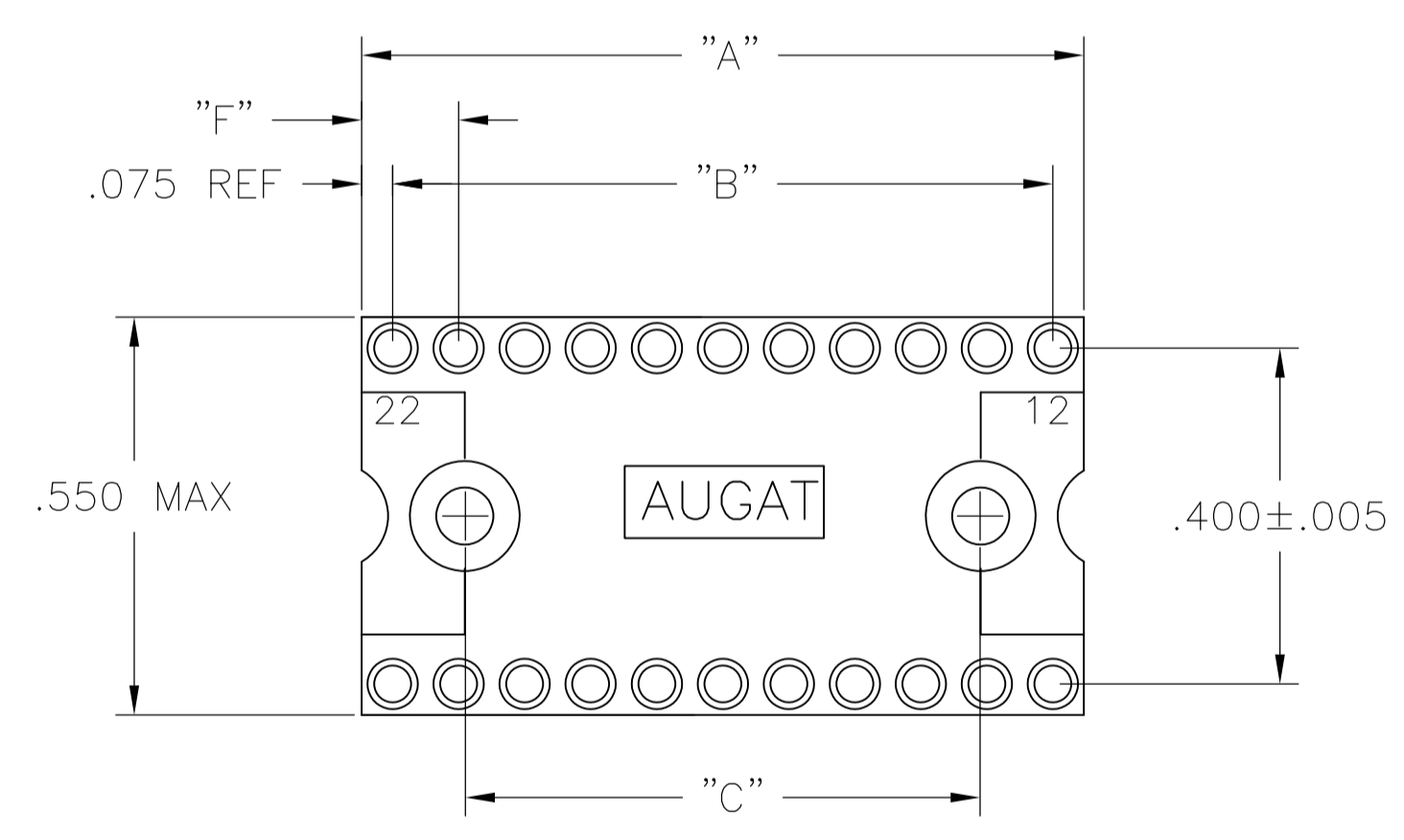
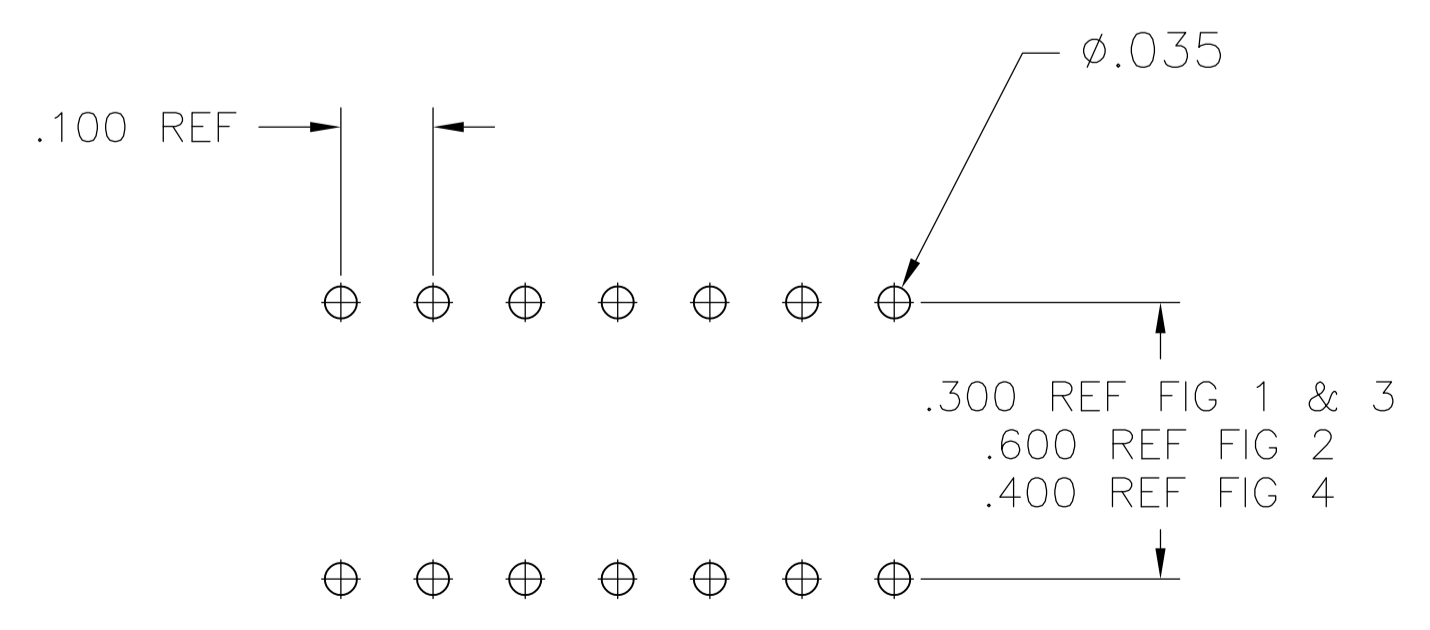
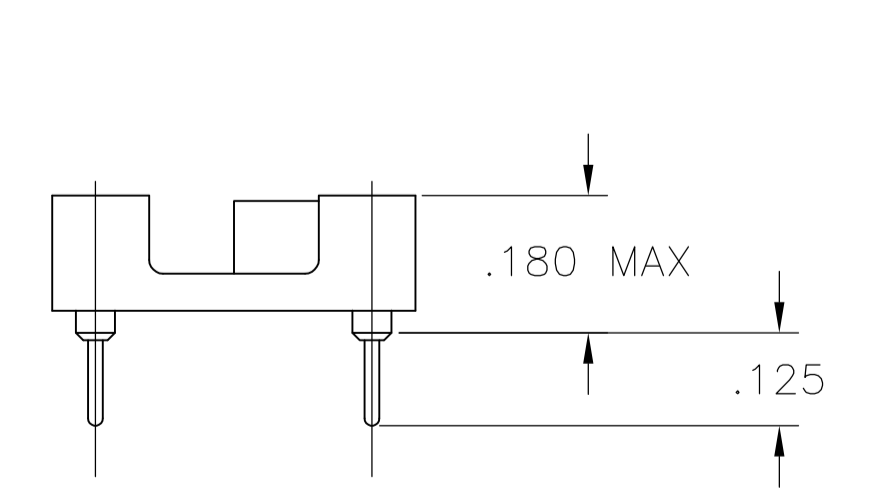
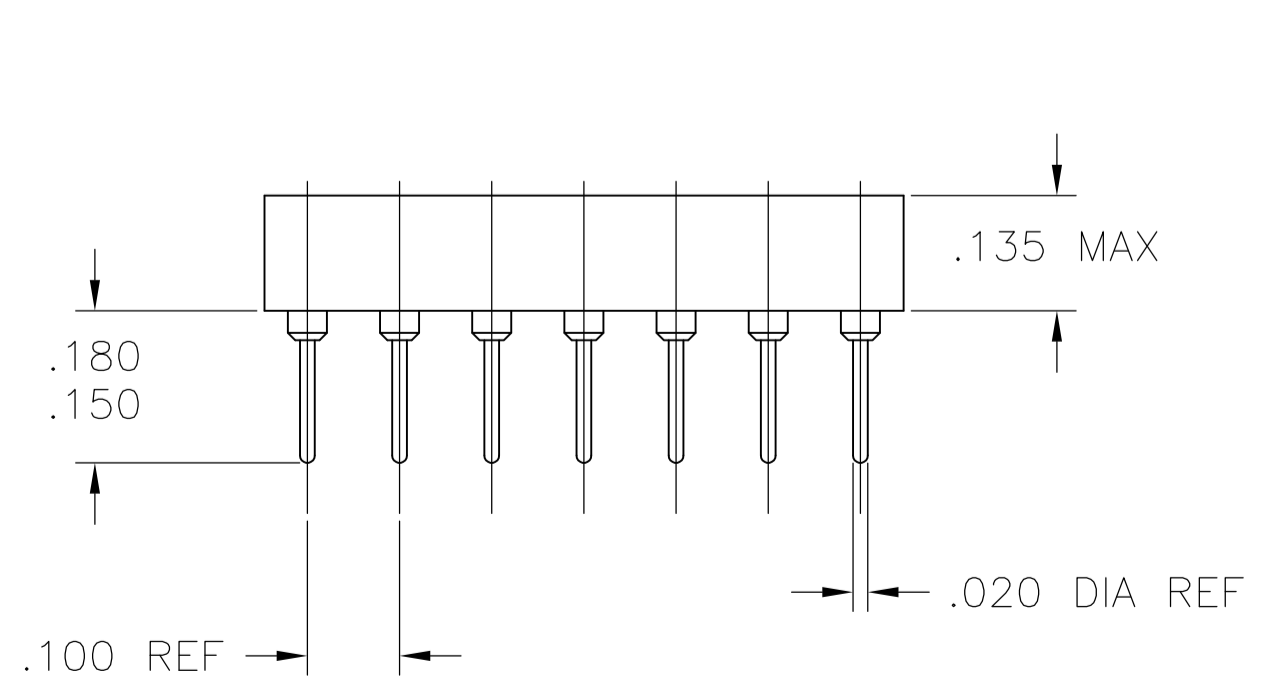


FIG. 4



P.C.B. HOLE LAYOUT  
TOLERANCE ±.003

- 1. INSULATOR MATERIAL - THERMOPLASTIC POLYESTER, PCT, BLACK, UL94 V-0.
- 2. MACHINED CONTACT - BECU, PLATED WITH 80-200 μ IN THK, TIN (LEAD FREE) OVER 75-100 μ IN THK COPPER.
- 3. SLEEVE - COPPER, PLATED WITH 180-340 μ IN THK TIN (LEAD FREE) OVER 75-100 μ IN THK NICKEL.
- 4. MACHINED CONTACT - BECU, PLATED WITH 25 μ IN MIN. GOLD OVER 30-100 NICKEL.
- 5. ELECTRICAL:  
CONTACT RESISTANCE: 10 MILLIOHMS MAX  
CONTACT RATING: 3 AMPS  
CAPACITANCE: 1.0 pF PER MIL-STD-202, METHOD 305  
INSULATION RESISTANCE: 5000 MΩ MIN @ 500 VDC PER EIA-364-21  
DIELECTRIC WITHSTANDING VOLTAGE: 1000 VOLTS (RMS) PER EIA-364-20
- 6. MECHANICAL:  
AFTER INSERTION FORCE: 134 GRAMS AVG  
AFTER WITHDRAWAL FORCE: 63 GRAMS AVG  
ACCEPTS IC PIN-.009"x.015" THROUGH .011"x.020", OR .016" TO .021" DIAMETER, .150/.105 LONG
- 7. ENVIRONMENTAL:  
OPERATING TEMPERATURE: -55°C TO -105°C

FINISH	FIG	F	E	D	C	B	"A" MAX	NO. OF POSN	PART NO.
3 4	4	.150	-	-	.900	1.100	1.200	24	3-1571550-3
3 4	2	.150	.500	.900	1.500	1.900	2.000	40	3-1571550-2
3 4	2	.150	.500	.900	1.500	1.700	1.800	36	3-1571550-1
3 4	2	.150	.500	.900	-	1.500	1.600	32	3-1571550-0
3 4	2	.150	.500	.900	-	1.300	1.400	28	2-1571550-9
3 4	2	.150	.500	.900	-	1.100	1.200	24	2-1571550-8
3 4	4	.175	-	-	.800	1.000	1.150	22	2-1571550-7
3 4	1	.250	-	-	.500	.900	1.000	20	2-1571550-6
3 4	1	.150	-	-	.600	.800	.900	18	2-1571550-5
3 4	1	.150	-	-	.500	.300	.800	16	2-1571550-4
3 4	1	.150	-	-	.400	.600	.700	14	2-1571550-3
3 4	3	.200	-	-	-	.300	.400	8	2-1571550-2
3 4	3	-	-	-	-	.200	.300	6	2-1571550-1
2 3	4	.150	-	-	.900	1.100	1.200	24	1-1571550-3
2 3	2	.150	.500	.900	1.500	1.900	2.000	40	1-1571550-2
2 3	2	.150	.500	.900	1.500	1.700	1.800	36	1-1571550-1
2 3	2	.150	.500	.900	-	1.500	1.600	32	1-1571550-0
2 3	2	.150	.500	.900	-	1.300	1.400	28	1571550-9
2 3	2	.150	.500	.900	-	1.100	1.200	24	1571550-8
2 3	4	.175	-	-	.800	1.000	1.150	22	1571550-7
2 3	1	.250	-	-	.500	.900	1.000	20	1571550-6
2 3	1	.150	-	-	.600	.800	.900	18	1571550-5
2 3	1	.150	-	-	.500	.300	.800	16	1571550-4
2 3	1	.150	-	-	.400	.600	.700	14	1571550-3
2 3	3	.200	-	-	-	.300	.400	8	1571550-2
2 3	3	-	-	-	-	.200	.300	6	1571550-1

THIS DRAWING IS A CONTROLLED DOCUMENT. TOLERANCES UNLESS OTHERWISE SPECIFIED:

DIMENSIONS: INCHES	0. PLC ± -	1. PLC ± -	2. PLC ± -	3. PLC ± .005	4. PLC ± -	ANGLES ± -
--------------------	------------	------------	------------	---------------	------------	------------

MATERIAL: FINISH:

THIS DRAWING IS A CONTROLLED DOCUMENT. T.KRAYBILL 080CT03

CHK: K.WRIGHT

APVD: K.WRIGHT

NAME: CLOSED FRAME DIP, PREMIUM LEAD FREE (REF AUGAT 500 SERIES) PREMIUM (MACHINED CONTACT)

APPLICATION SPEC: PRODUCT SPEC:

SIZE: A1

WEIGHT: 00779

CAGE CODE: 1571550

DRAWING NO: 1571550

CUSTOMER DRAWING

SCALE: 4:1

SHEET: 1 OF 1

REV: B2

# Mouser Electronics

Authorized Distributor

Click to View Pricing, Inventory, Delivery & Lifecycle Information:

[TE Connectivity:](#)

[1571550-4](#)