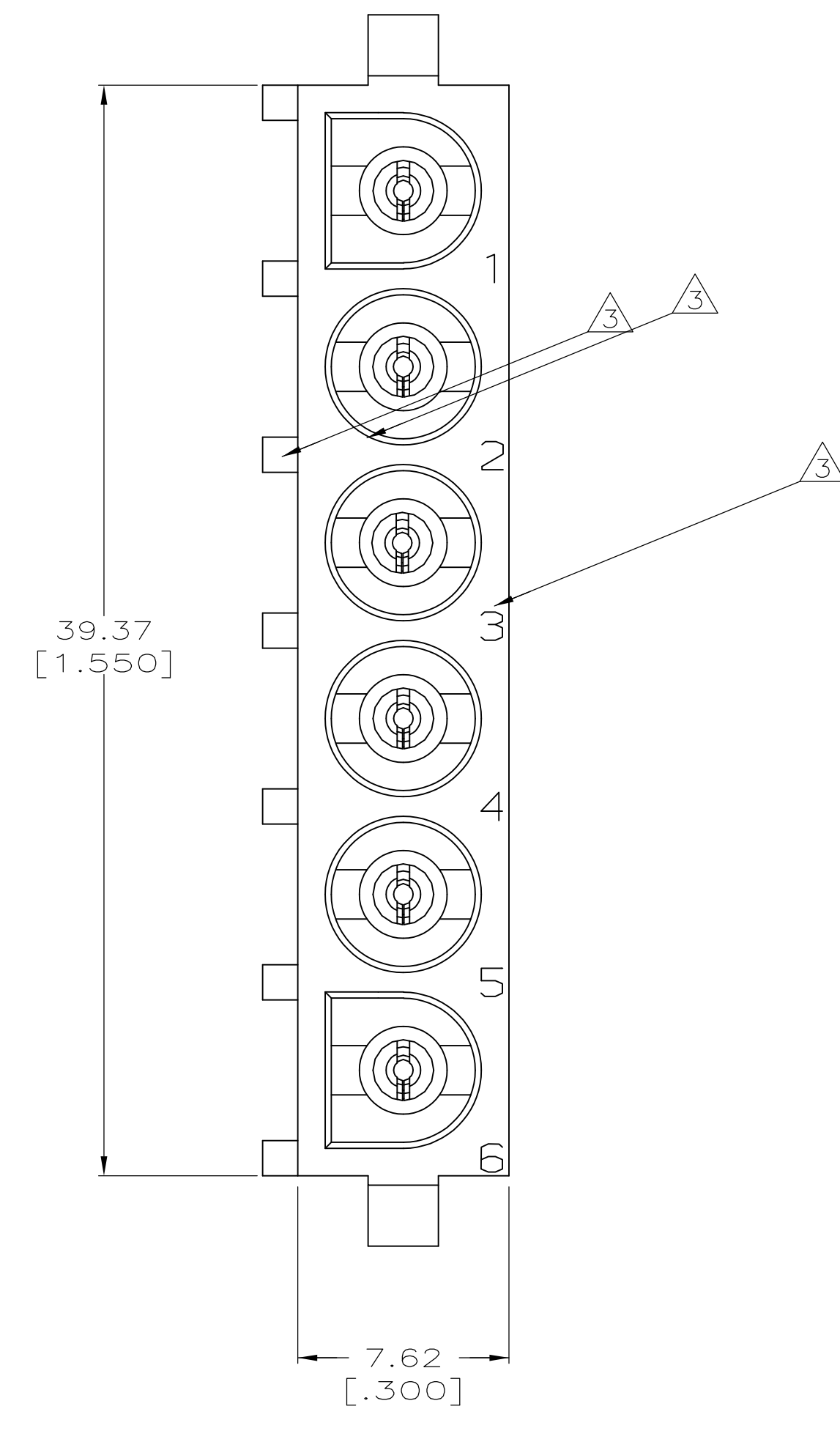
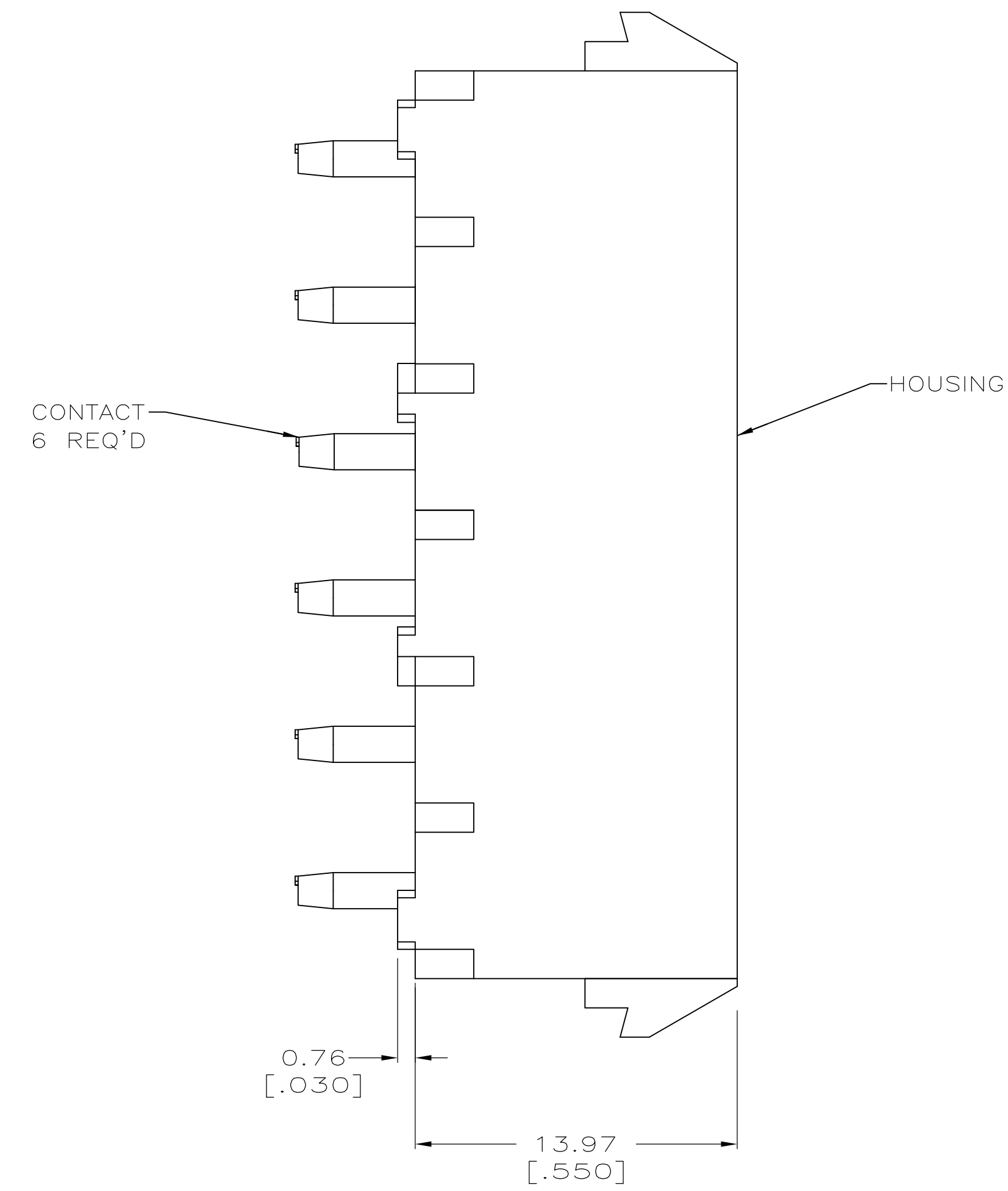
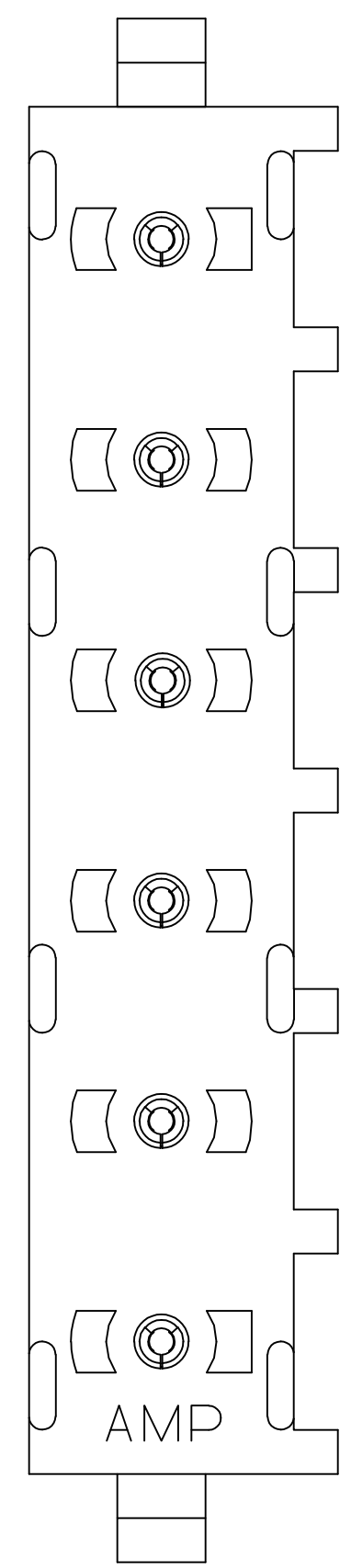
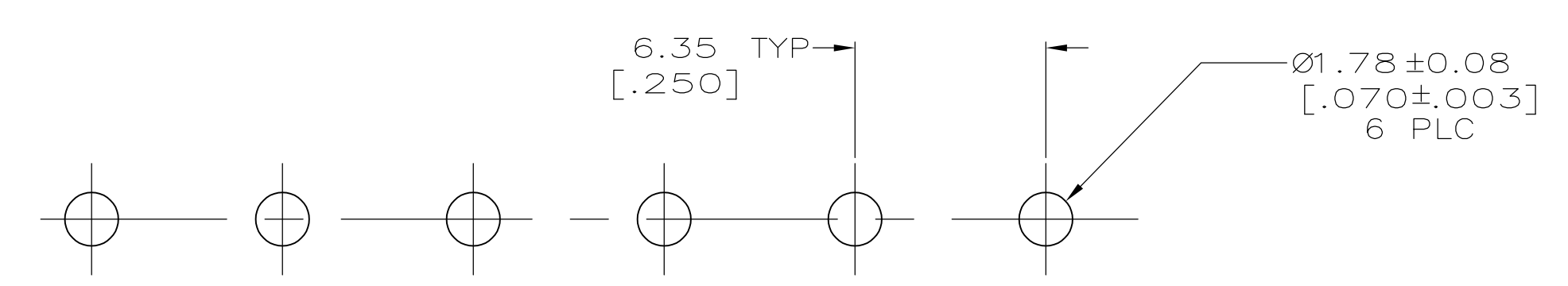
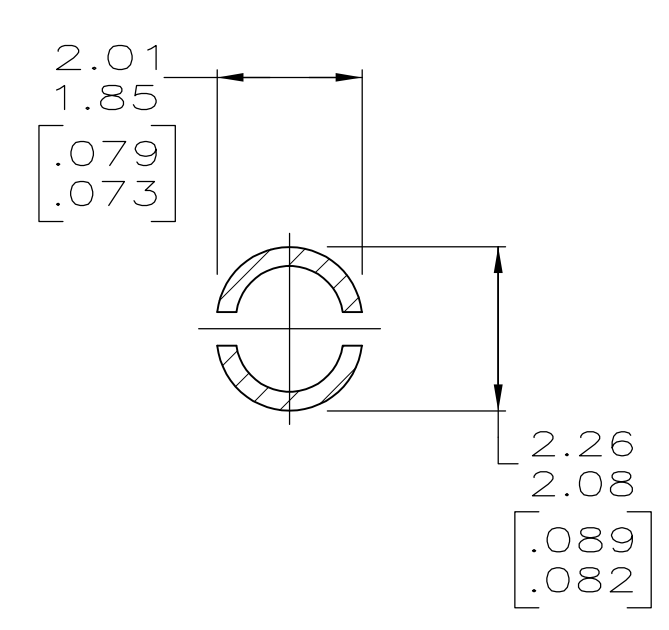
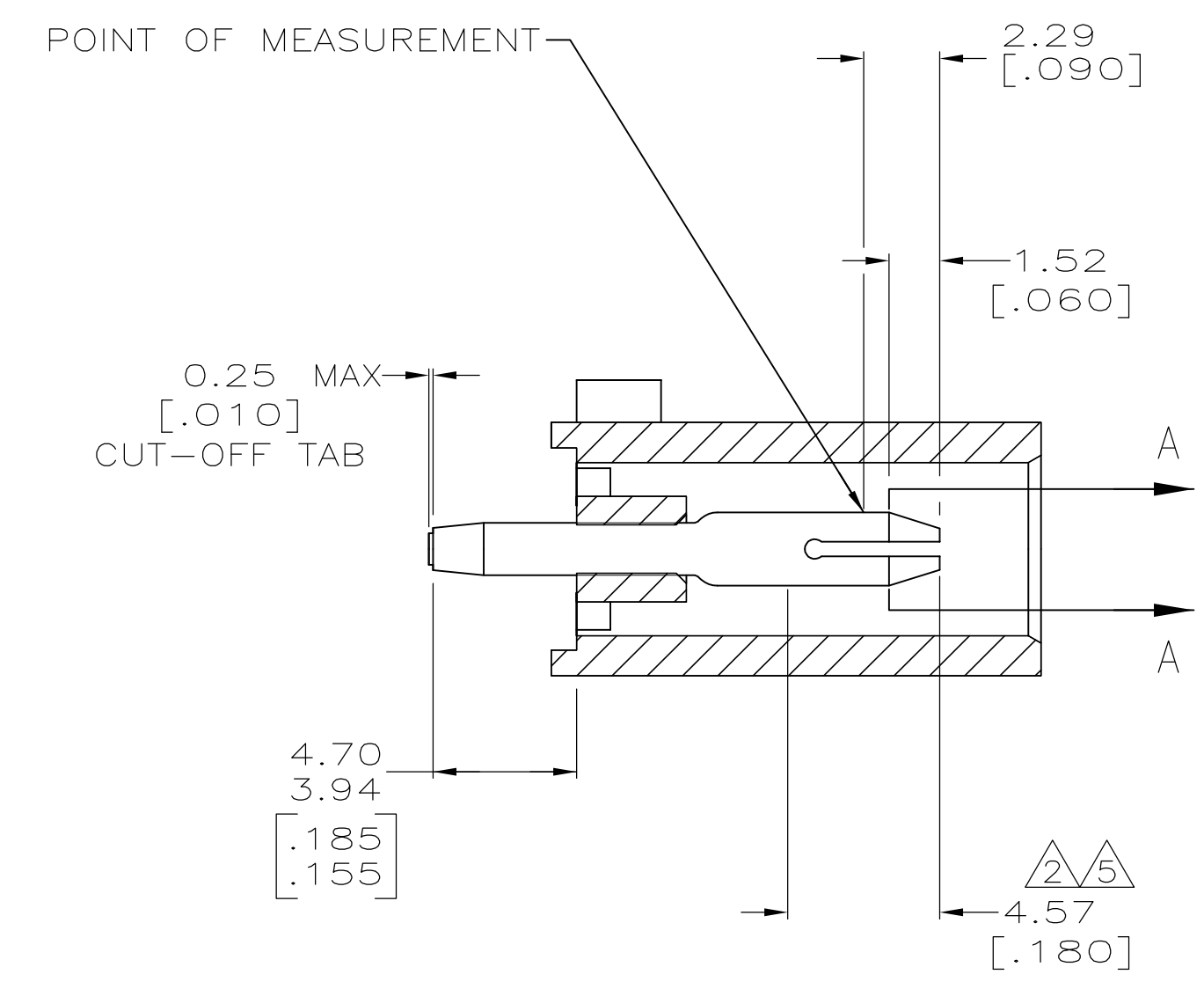
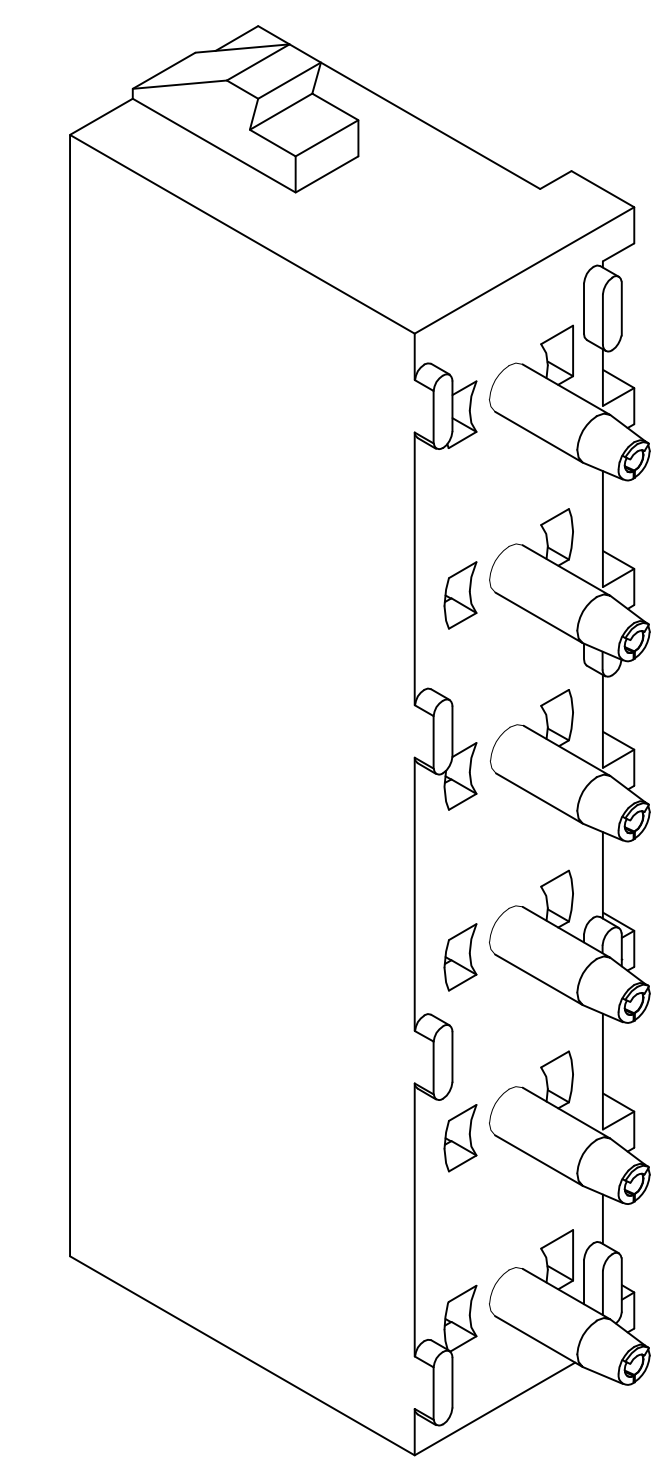


LOC		DIST		REVISIONS			
P	LTR	DESCRIPTION	DATE	DMN	APVD		
	U1	REVISED PER 0G3B-1094-04	19JAN05	KW	SR		
		REVISED PER ECO-10-000443	15JAN10	KK	AEG		



- PARTS COMPLY TO AMP SOLDERABILITY SPECIFICATION 109-11-3.
- CONTACT IS PLATED OVERALL WITH 0.00127 [.000050] NICKEL, THEN 0.00076 [.000030] GOLD OVER CONTACT LENGTH INDICATED AND MATTE TIN LEAD ON SOLDER TAIL END.
- CIRCUIT IDENTIFICATION CHARACTERS ARE ADJACENT TO THE INDICATED CAVITIES, BUT LOCATION AND ORIENTATION MAY DIFFER FROM PRINT.
- DIMENSIONS IN BRACKETS ARE IN INCHES.
- CONTACT IS PLATED OVERALL WITH 0.00127 [.000050] NICKEL, THEN 0.00076 [.000030] GOLD OVER CONTACT LENGTH INDICATED AND MATTE TIN ON SOLDER TAIL END.
- OBsolete PARTS: OBsolete CIS STREAMLINING PER D.RENAUD/D.SINISI



6	OBsolete	PHOSPHOR BRONZE, GOLD	NYLON,UL94V-2,NATURAL	-641832-3-
		PHOSPHOR BRONZE, GOLD	NYLON,UL94V-2,NATURAL	-641832-2-
		PHOSPHOR BRONZE, PRE-TIN	NYLON,UL94V-2,NATURAL	641832-1
	PIN CONTACT MATERIAL AND FINISH	HOUSING MATERIAL	PART NUMBER	

METRIC

THIS DRAWING IS A CONTROLLED DOCUMENT.		DMN B. LEWIS 10-05-98	Tyco Electronics Corporation Greensboro, NC 27409
DIMENSIONS: mm [INCHES]		CHK R. SWING 10-05-98	
TOLERANCES UNLESS OTHERWISE SPECIFIED:		APVD M. TRULL 10-05-98	NAME PIN HEADER ASSEMBLY, 6 CIRCUIT UNIVERSAL MATE-N-LOK™
0 PLC ± -		PRODUCT SPEC	
1 PLC ± -		APPLICATION SPEC	SIZE CASE CODE DRAWING NO
2 PLC ± 0.13 [.005] [0.25]			A1 00779 C=641832
3 PLC ± -			RESTRICTED TO
4 PLC ± -			
ANGLES ± - 0° 30'			
MATERIAL SEE TABLE	FINISH SEE TABLE	WEIGHT -	CUSTOMER DRAWING
		SCALE 5:1	SHEET 1 OF 1

Mouser Electronics

Authorized Distributor

Click to View Pricing, Inventory, Delivery & Lifecycle Information:

[TE Connectivity:](#)

[641832-1](#)