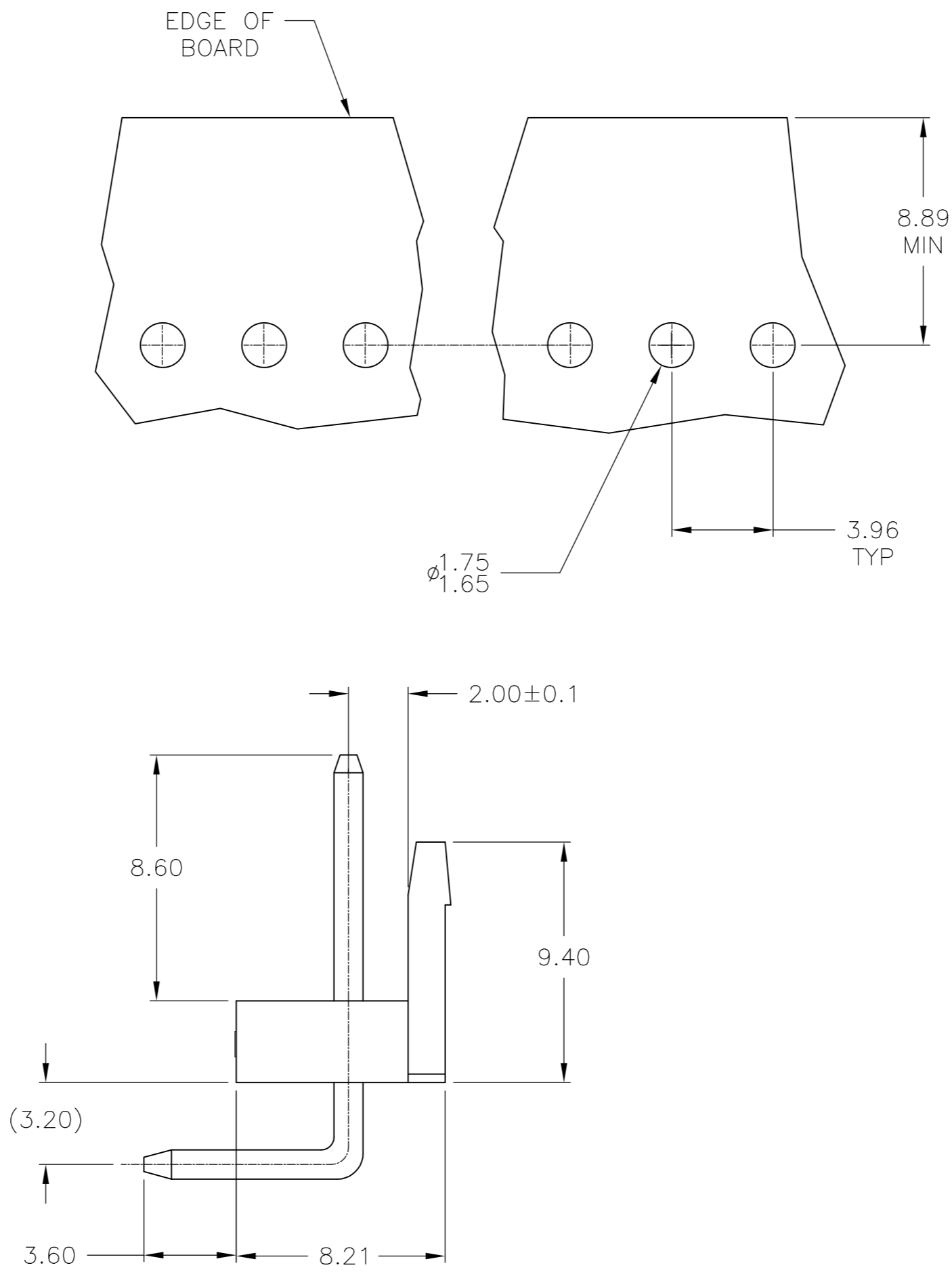
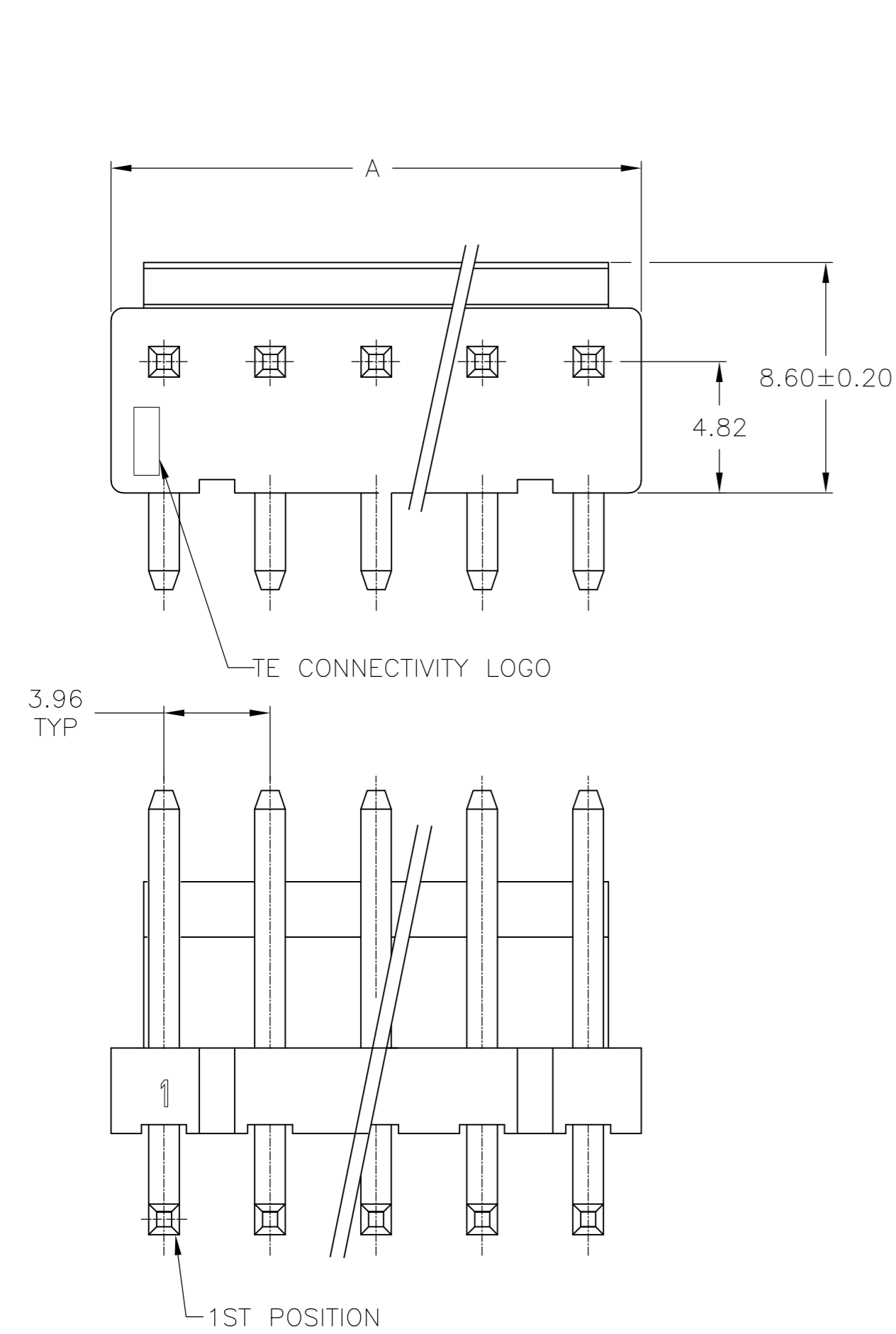


THIS DRAWING IS UNPUBLISHED. RELEASED FOR PUBLICATION
 © COPYRIGHT - By - ALL RIGHTS RESERVED.

REVISIONS					
P	LTR	DESCRIPTION	DATE	DWN	APVD
B1		REVISED PER ECR-16-017535	19JAN17	O.C	D.Z



- 1 MATERIAL :
 HOUSING : THERMOPLASTIC Nylon66UL94V-0.
 WHITE COLOR.
 CONTACT : BRASS.
- 2 FINISH:
 CONTACT : 80u" MIN. TIN PLATED ON
 CONTACT AREA.

47.52	12	1-647676-2
43.56	11	1-647676-1
39.60	10	1-647676-0
35.64	9	647676-9
31.68	8	647676-8
27.72	7	647676-7
23.76	6	647676-6
19.80	5	647676-5
15.84	4	647676-4
11.88	3	647676-3
7.92	2	647676-2
DIM. A CIRCUITS		PART NUMBER

THIS DRAWING IS A CONTROLLED DOCUMENT.		DWN K. WHITAKER 22JUL04				
DIMENSIONS: mm		CHK D. BOSSI 22JUL04				
TOLERANCES UNLESS OTHERWISE SPECIFIED:		APVD D. BOSSI 22JUL04	NAME ASSEMBLY, EP HEADER, RIGHT ANGLE			
0 PLC ± 0.3		PRODUCT SPEC	SIZE	CAGE CODE	DRAWING NO	RESTRICTED TO
1 PLC ± 0.25		APPLICATION SPEC	A2	00779	C-647676	-
2 PLC ± 0.12		FINISH	WEIGHT	SCALE	SHEET	REV
3 PLC ± 0.05		-	0.000000	5:1	1 of 1	B1
4 PLC ± -		MATERIAL	CUSTOMER DRAWING			
ANGLES ± 3'0"		-				