

# SERIES MS SWITCHES

## SNAP ACTION SWITCHES - MINIATURE



### SPECIFICATIONS

Contact Rating:	Gold .4VA max. @ 20 VDC or VAC Max. 5 Amps @ 125/250 VAC-UL, CUL 5 (1) Amp, 250 VAC VDE
Life Expectancy:	50,000 cycles minimum
Mechanical Life:	1,000,000 cycles typical
Insulation Resistance:	100 MΩ min.
Dielectric Strength:	1,000 VAC for 60 seconds
Operating Temperature:	-25° C to 85° C (std)
Operating Force:	See Chart

### MATERIALS

Switch Housing:	High Temperature PBT (UL94 V-0)
Actuator Button:	High Temperature PBT (UL94 V-0)
Contacts:	Silver (std) or Gold
Terminals:	Copper Alloy

### FEATURES & BENEFITS

- ▶ Available in gold & 5 amp versions
- ▶ Wide variety of actuator, operating force & termination options

### APPLICATIONS/MARKETS

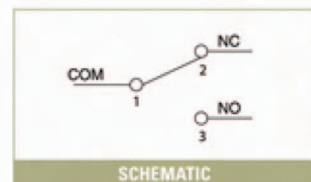
- ▶ Appliance
- ▶ Timing controls
- ▶ Vending machines
- ▶ Gaming
- ▶ Industrial controls
- ▶ Power tools

### HOW TO ORDER

SERIES	OPERATING TEMP.	CURRENT RATING	ACTUATOR	OPERATING FORCE	TERMINATION	CIRCUIT
MS	085 = 85C	R1 = Gold 05 = 5A	See Chart	See Chart	S1 = Solder Lug C1 = 0.110" Quick Connect P1 = PCB Pin V1 = Right Angle PCB Pin V2 = Left Angle PCB Pin	A = SPDT C = SPST NO

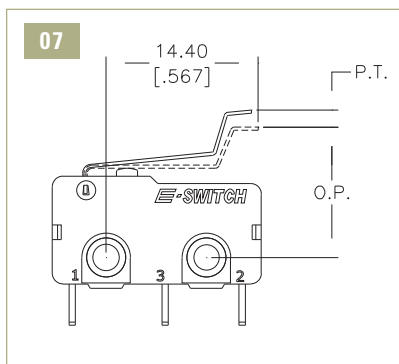
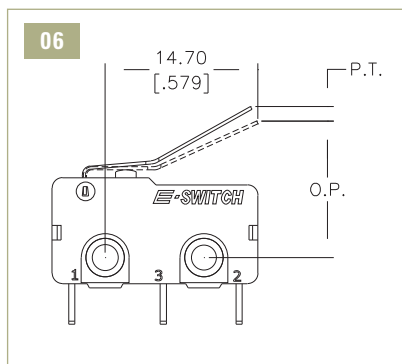
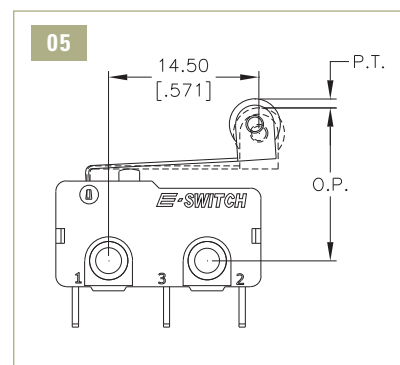
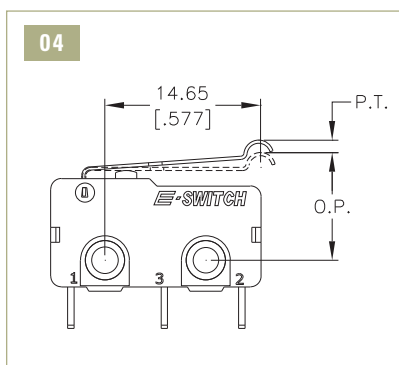
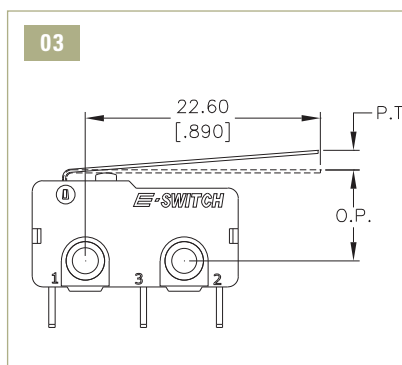
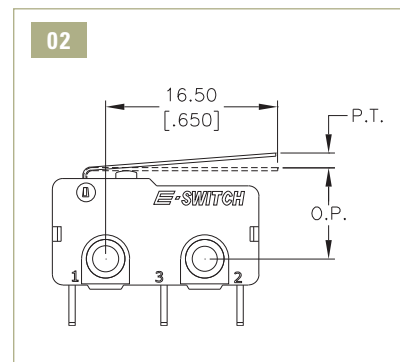
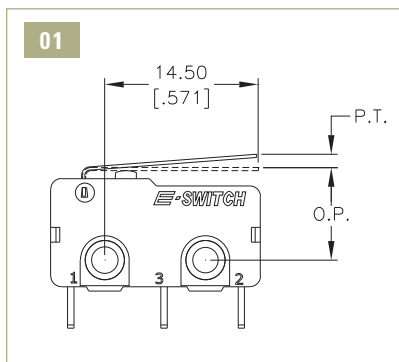
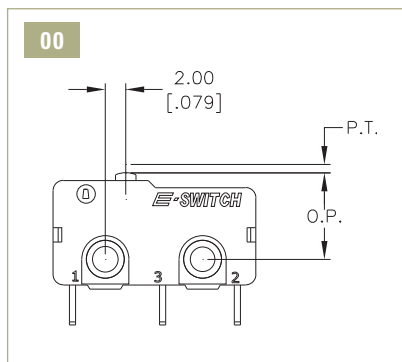
▶ ▶ ▶ Example Ordering Number  
MS-085-R1-00-F130-S1-A

Specifications subject to change without notice.





**ACTUATOR OPTIONS**



TACT SWITCHES

NAVIGATION SWITCHES

PUSHBUTTON SWITCHES

TOGGLE SWITCHES

ROCKER SWITCHES

SLIDE SWITCHES

SNAP-ACTION SWITCHES

DIP SWITCHES

KEYLOCK SWITCHES

ROTARY SWITCHES

DETECTOR SWITCHES

CAP OPTIONS

Actuator	ACTUATOR AND OPERATING FORCE CHART									
	Actuation/Return Force									
00	60+/-25	80+/-25	95+/-30	115+/-40	130+/-40	150+/-40	175+/-45	190+/-45	250+/-50	295+/-55
01	20+/-8	25+/-12	30+/-12	35+/-20	40+/-20	45+/-20	50+/-20	55+/-25	70+/-25	85+/-30
02	15+/-6	20+/-8	25+/-12	30+/-12	35+/-20	40+/-20	45+/-20	50+/-20	65+/-25	75+/-25
03	10+/-5	15+/-6	20+/-8	25+/-12	30+/-12	35+/-20	40+/-20	55+/-25	60+/-25	---
04	15+/-6	20+/-8	25+/-12	30+/-12	35+/-20	40+/-20	45+/-20	50+/-20	65+/-25	75+/-25
05	15+/-6	20+/-8	25+/-12	30+/-12	35+/-20	40+/-20	45+/-20	50+/-20	65+/-25	75+/-25
06	15+/-6	20+/-8	25+/-12	30+/-12	35+/-20	40+/-20	45+/-20	50+/-20	65+/-25	75+/-25
07	15+/-6	20+/-8	25+/-12	30+/-12	35+/-20	40+/-20	45+/-20	50+/-20	65+/-25	75+/-25

Actuator	Pre-Travel	Operating Position
00	1.1 max	8.5+/-0.3
01	3.6 max	9.1+/-0.8
02	3.8 max	9.1+/-0.8
03	4.4 max	9.5+/-0.8
04	3.2 max	10.9+/-1.0
05	4.0 max	14.9+/-1.0
06	4.1 max	13.9+/-1.5
07	5.0 max	12.5+/-1.5

PT= Pretravel OP= Operating Point OT= Over Travel



# SERIES MS SWITCHES

## SNAP ACTION SWITCHES - MINIATURE

TACT SWITCHES

NAVIGATION SWITCHES

PUSHBUTTON SWITCHES

TOGGLE SWITCHES

ROCKER SWITCHES

SLIDE SWITCHES

SNAP-ACTION SWITCHES

DIP SWITCHES

KEYLOCK SWITCHES

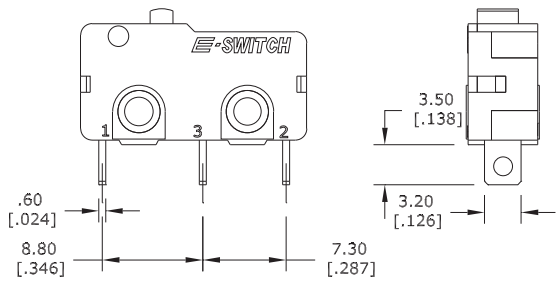
ROTARY SWITCHES

DETECTOR SWITCHES

CAP OPTIONS

### TERMINATION OPTIONS

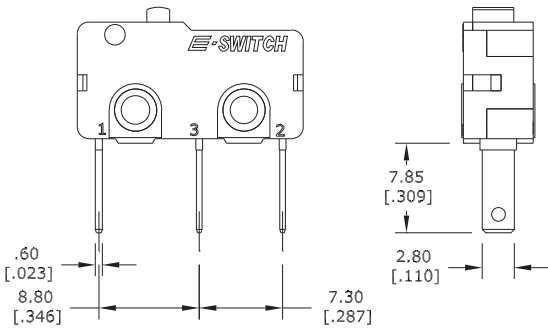
**S1 SOLDER LUG**



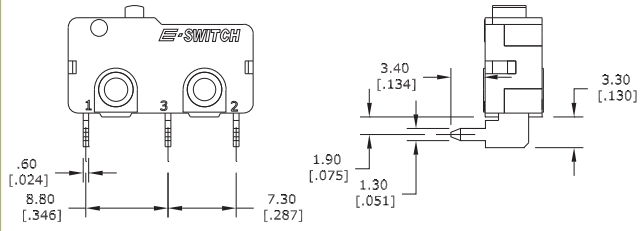
**V1 RIGHT ANGLE PCB PIN**



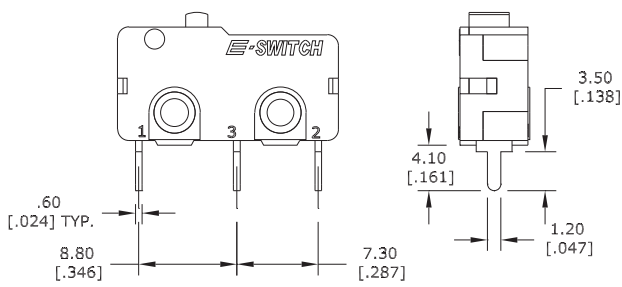
**C1 0.110" QUICK CONNECT**



**V2 LEFT ANGLE PCB PIN**



**P1 PCB TERMINALS**



# Mouser Electronics

Authorized Distributor

Click to View Pricing, Inventory, Delivery & Lifecycle Information:

## E-Switch:

[MS0850500F150C1A](#) [MS0850505F050P1A](#) [MS0850502F050S1A](#) [MS0850503F010S1A](#) [MS0850503F040S1A](#)  
[MS0850502F030P1A](#) [MS0850501F070S1A](#) [MS0850504F035P1A](#) [MS0850507F040S1A](#) [MS0850503F025P1A](#)  
[MS0850500F080S1A](#) [MS0850500F060C1A](#) [MS0850503F055P1A](#) [MS0850503F010P1A](#) [MS0850500F130P1A](#)  
[MS0850503F025S1A](#) [MS0850504F035S1A](#) [MS0850505F075S1A](#) [MS0850504F065C1A](#) [MS0850504F020S1A](#)  
[MS0850502F020S1A](#) [MS0850504F035C1A](#) [MS0850500F060S1A](#) [MS0850500F295S1A](#) [MS0850500F080P1A](#)  
[MS0850500F080C1A](#) [MS0850500F150P1A](#) [MS0850501F045S1A](#) [MS0850500F250S1A](#) [MS0850501F025C1A](#)  
[MS0850507F025C1A](#) [MS0850505F050C1A](#) [MS0850504F045P1A](#) [MS0850505F045S1A](#) [MS0850505F035C1A](#)  
[MS0850500F060S1C](#) [MS0850501F025V1A](#) [MS0850502F025S1A](#) [MS0850502F030C1A](#) [MS0850502F045V2A](#)  
[MS0850504F050S1A](#) [MS0850506F020P1C](#) [MS0850506F035V1A](#) [MS0850506F040P1A](#) [MS085R101F040S1A](#)  
[MS085R101F070S1A](#) [MS085R102F050S1A](#) [MS085R104F035S1A](#) [MS085R105F040S1A](#) [MS085R105F040S1C](#)  
[MS085R105F040V2A](#) [MS0850500F060C1C](#) [MS0850500F080V2A](#) [MS0850500F150V1A](#) [MS0850501F025P1C](#)  
[MS0850501F035V1A](#) [MS0850501F045V1A](#) [MS0850502F050V2A](#) [MS0850502F075S1A](#) [MS0850503F025V1A](#)  
[MS0850504F020S1C](#) [MS0850504F025P1C](#) [MS0850504F030V1C](#) [MS0850504F035S1C](#) [MS0850504F035V1A](#)  
[MS0850505F040V2A](#) [MS0850505F065C1A](#) [MS0850506F035V1C](#) [MS0850506F035V2A](#) [MS0850506F065C1C](#)  
[MS085R100F080C1C](#) [MS085R100F150C1A](#) [MS085R100F150V1A](#) [MS085R100F295P1A](#) [MS085R101F020S1C](#)  
[MS085R101F035V1A](#) [MS085R101F040S1C](#) [MS085R101F045P1C](#) [MS085R101F070C1A](#) [MS085R101F085S1A](#)  
[MS085R102F040C1C](#) [MS085R102F045P1A](#) [MS085R103F015V1A](#) [MS085R103F055C1A](#) [MS085R103F055V2A](#)  
[MS085R104F035C1A](#) [MS085R104F045V1A](#) [MS085R105F075S1C](#) [MS085R107F025C1A](#) [MS085R107F040S1A](#)  
[MS0850506F075P1A](#) [MS085R104F075C1C](#) [MS085R104F030S1A](#) [MS0850505F020C1C](#) [MS0850500F115S1A](#)  
[MS0850500F250C1A](#) [MS085R104F075C1A](#) [MS0850506F035P1A](#) [NUT.FOR.RP3502MBRED](#) [MS0850506F030P1C](#)