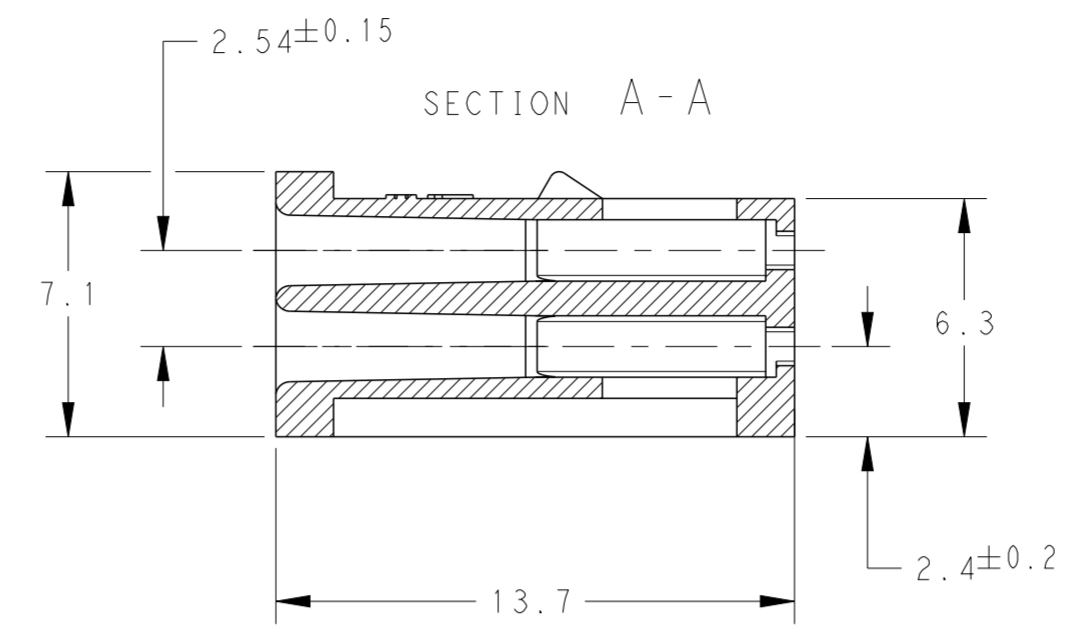
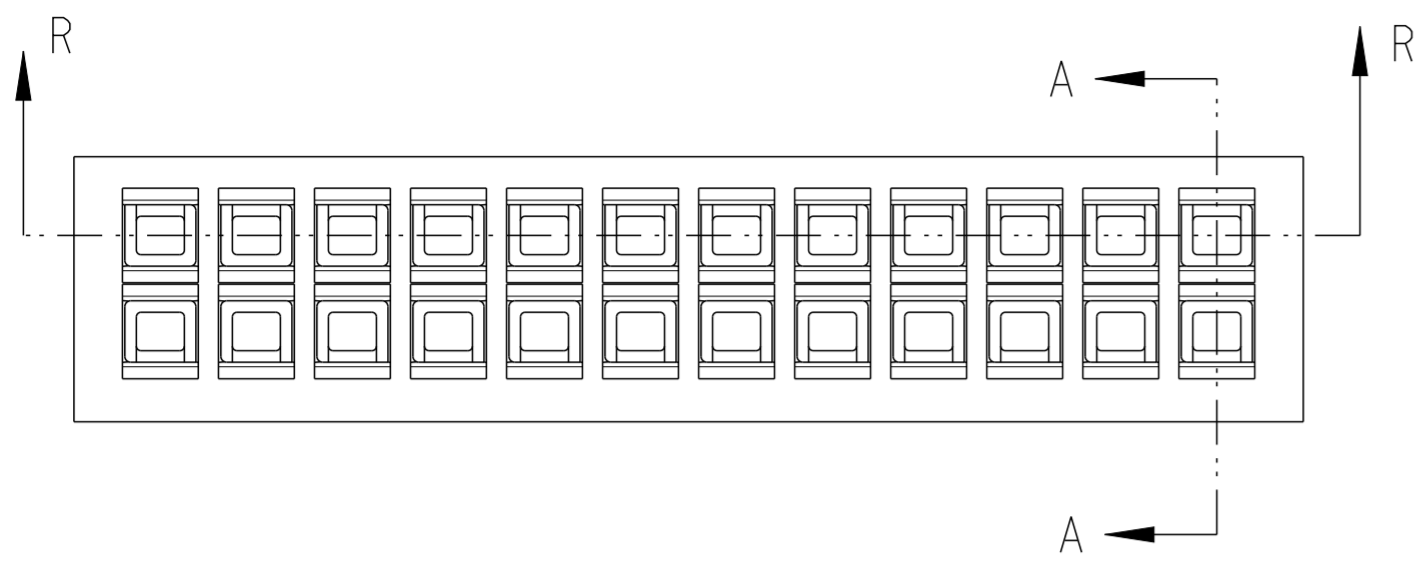
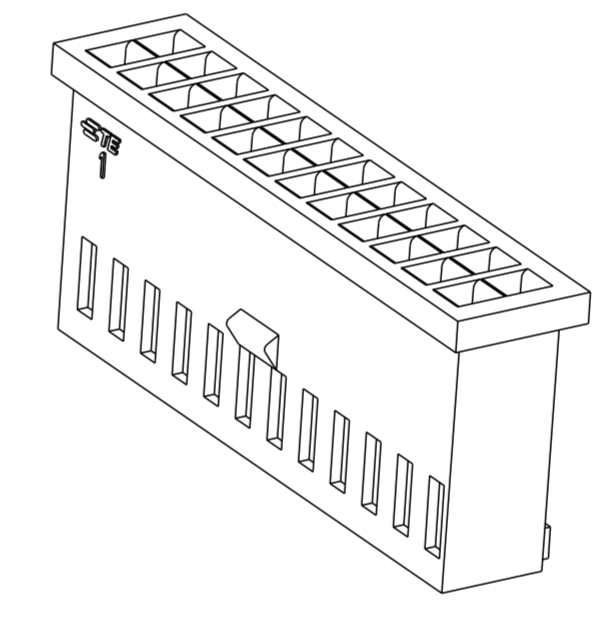
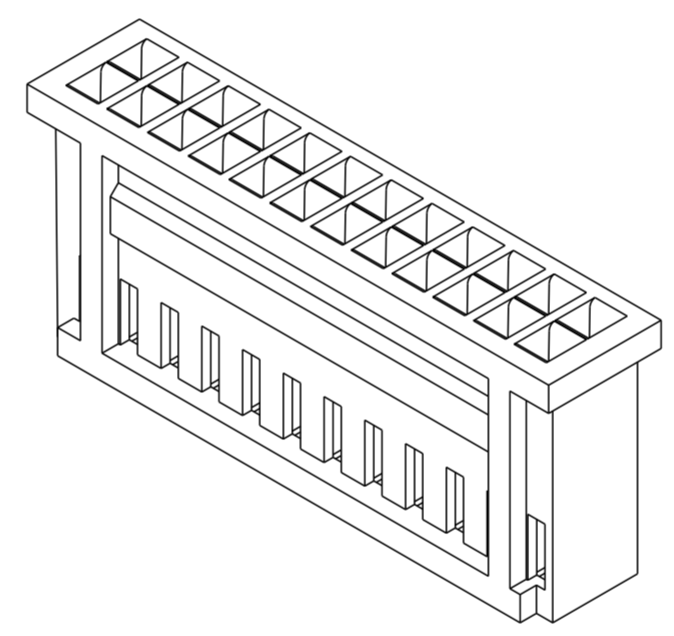
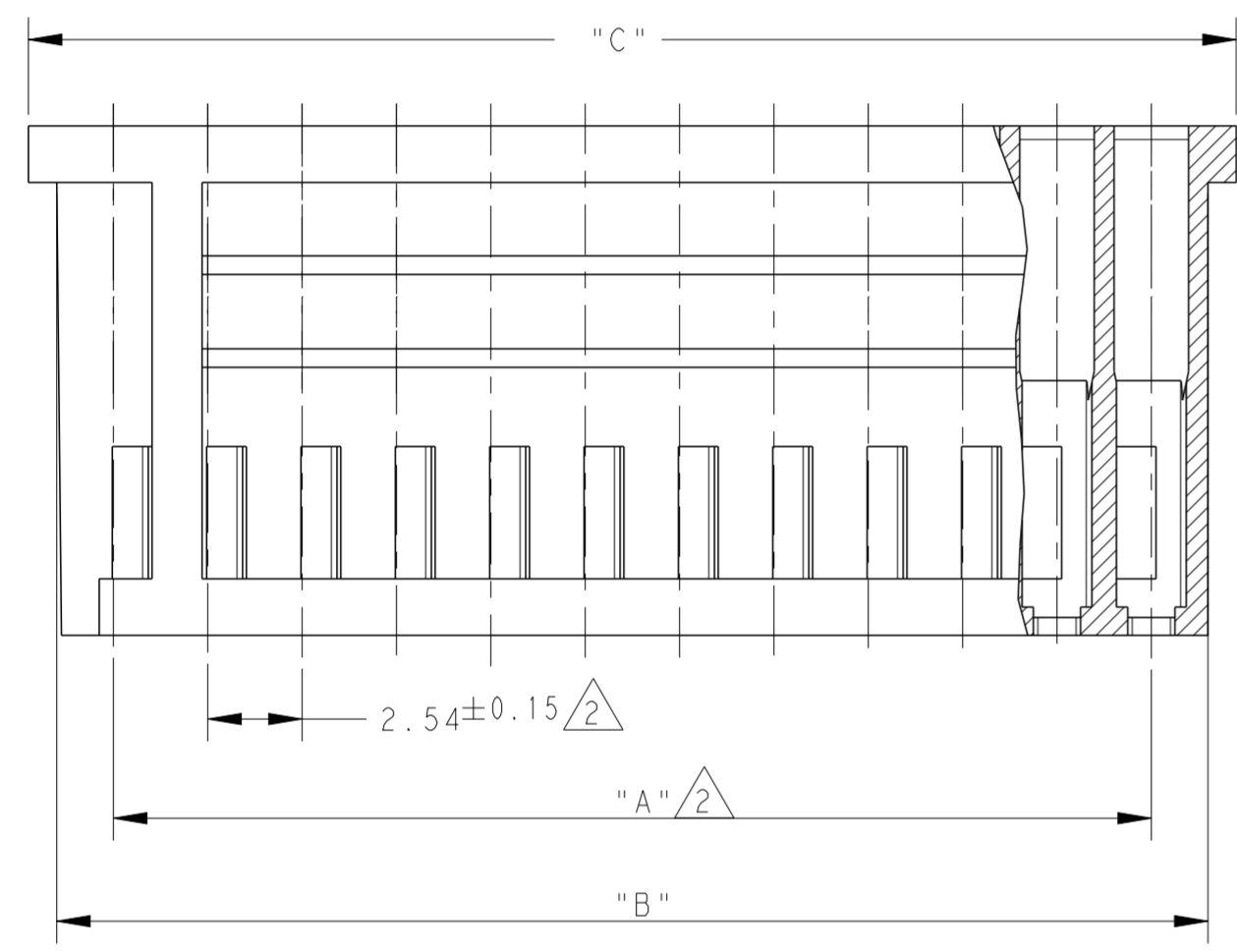


THIS DRAWING IS UNPUBLISHED. RELEASED FOR PUBLICATION  
 © COPYRIGHT copyright.d8te- ALL RIGHTS RESERVED.

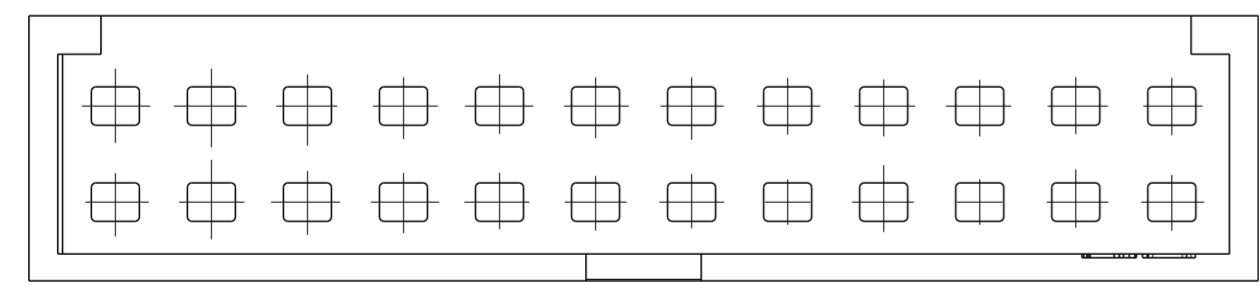
REVISIONS				
P	LTR	DESCRIPTION	DATE	APVD
AA		MATERIAL CHANGE TO LCP. NEW HORIZONTAL RIB FEATURE ADDED	17OCT2018	KJK PS



SECTION R-R



- NOTES:
- 1 LCP, BLACK, UL94V-0
  - 2 TOLERANCE NOT CUMULATIVE



NUM OF POS	PART NUMBER	DIM "A"	DIM "B"	DIM "C"	MATERIAL
22	280369	53.34	56.40	57.90	⚠
18	281018	43.18	46.20	47.80	
15	280368	35.56	38.60	40.10	
12	280515	27.94	31.00	32.50	
9	280513	20.32	23.30	24.90	
8	280366	17.78	20.80	22.30	
6	282792-1	12.70	15.70	17.20	
5	284123-1	10.16	13.20	14.70	
4	280365	7.62	10.60	12.20	

THIS DRAWING IS A CONTROLLED DOCUMENT.

DWN	KARTHIK J K	17OCT2018
CHK	SHARATH S	17OCT2018
APVD	PRASHANTH S	17OCT2018
PRODUCT SPEC	108-20025	
APPLICATION SPEC	114-20004	
WEIGHT	-	
CUSTOMER DRAWING	SCALE 5:1	SHEET 1 OF 1

**STE** TE Connectivity

NAME: AMPMODU MOD. II DOUBLE ROW, REC. CONTACT HOUSING CRIMP SNAP-IN

SIZE: A2 CAGE CODE: 00779 DRAWING NO: C-280365

RESTRICTED TO: - REV: AA

# Mouser Electronics

Authorized Distributor

Click to View Pricing, Inventory, Delivery & Lifecycle Information:

[TE Connectivity:](#)

[280366](#)