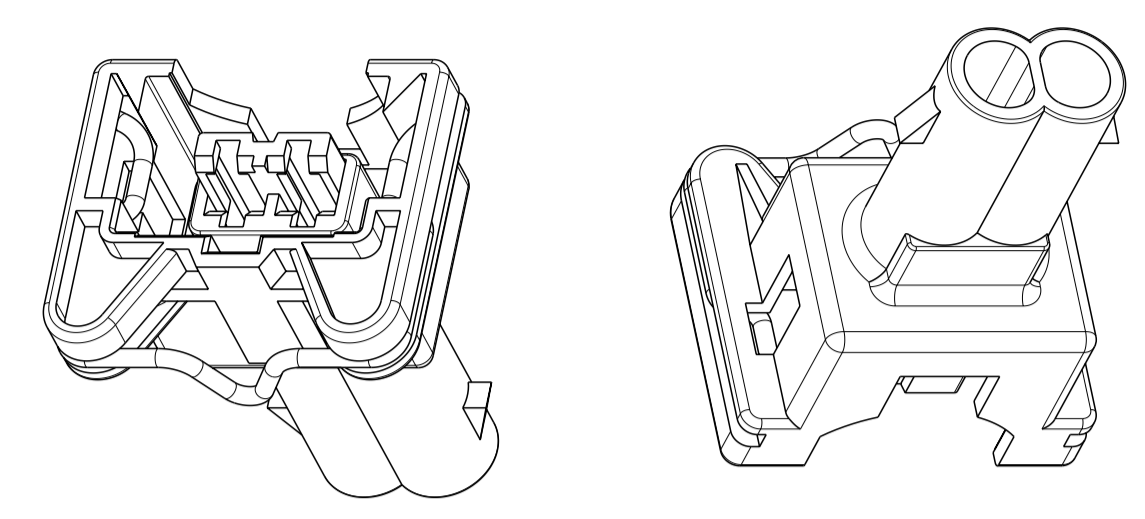
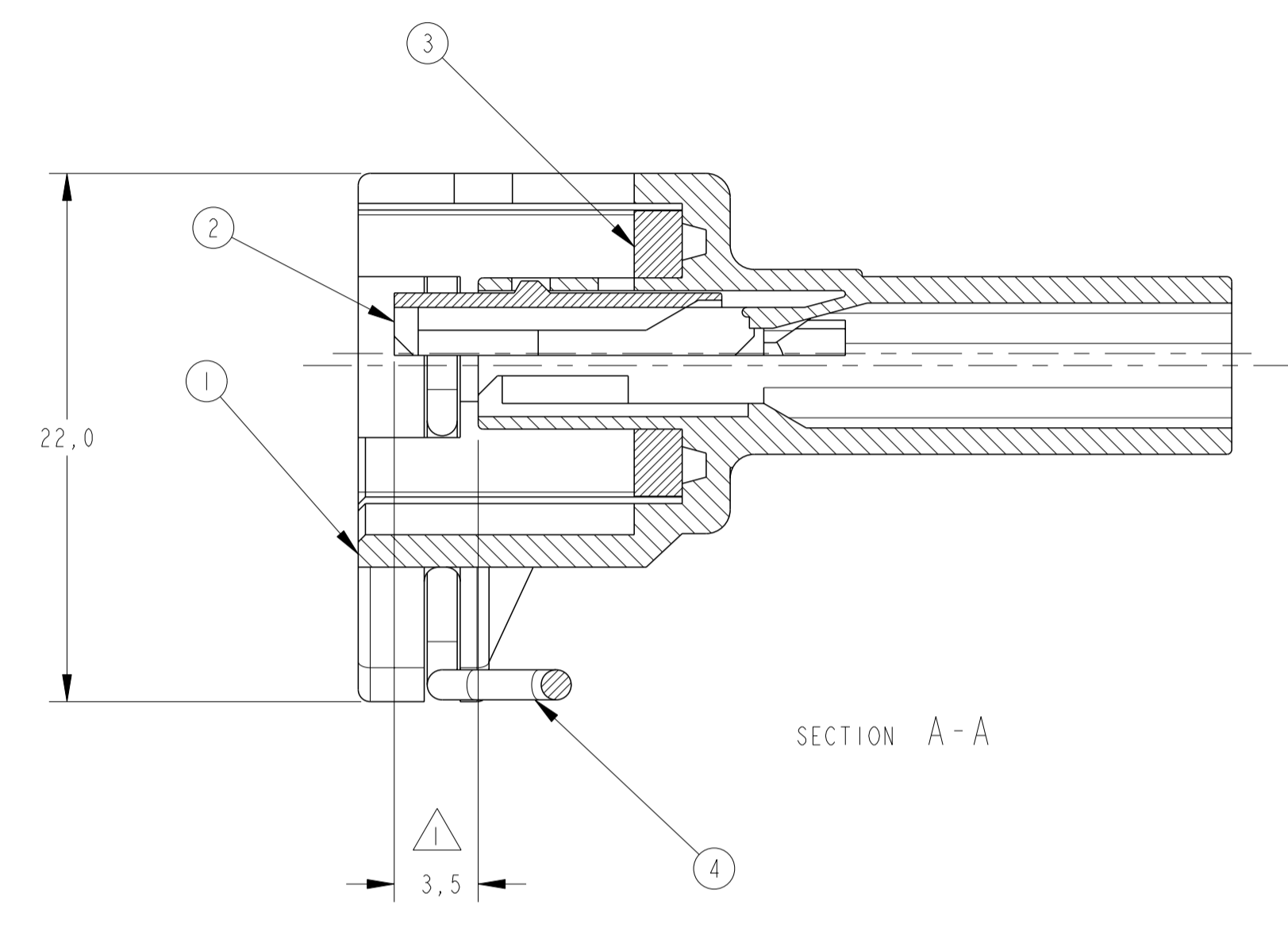
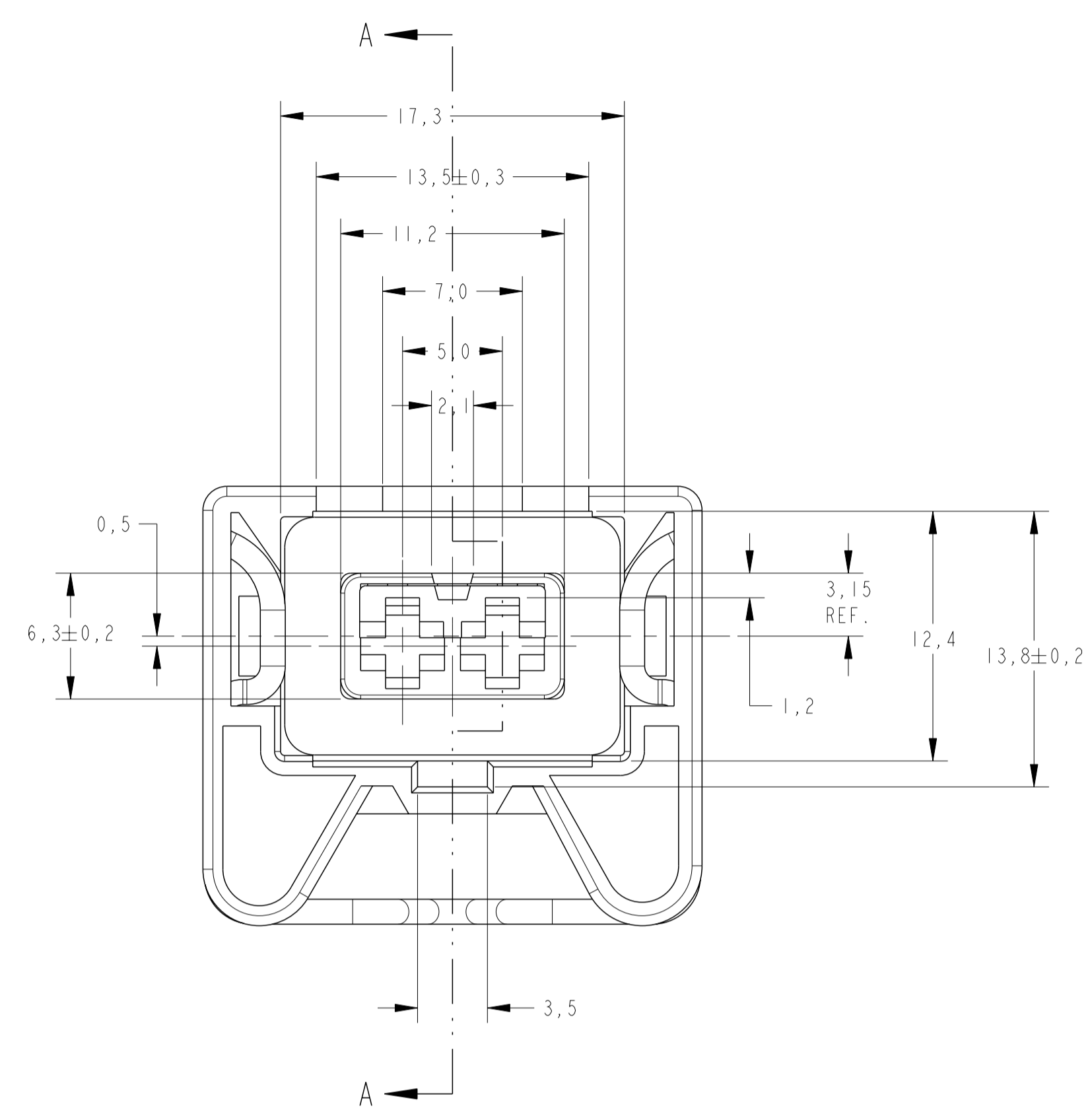
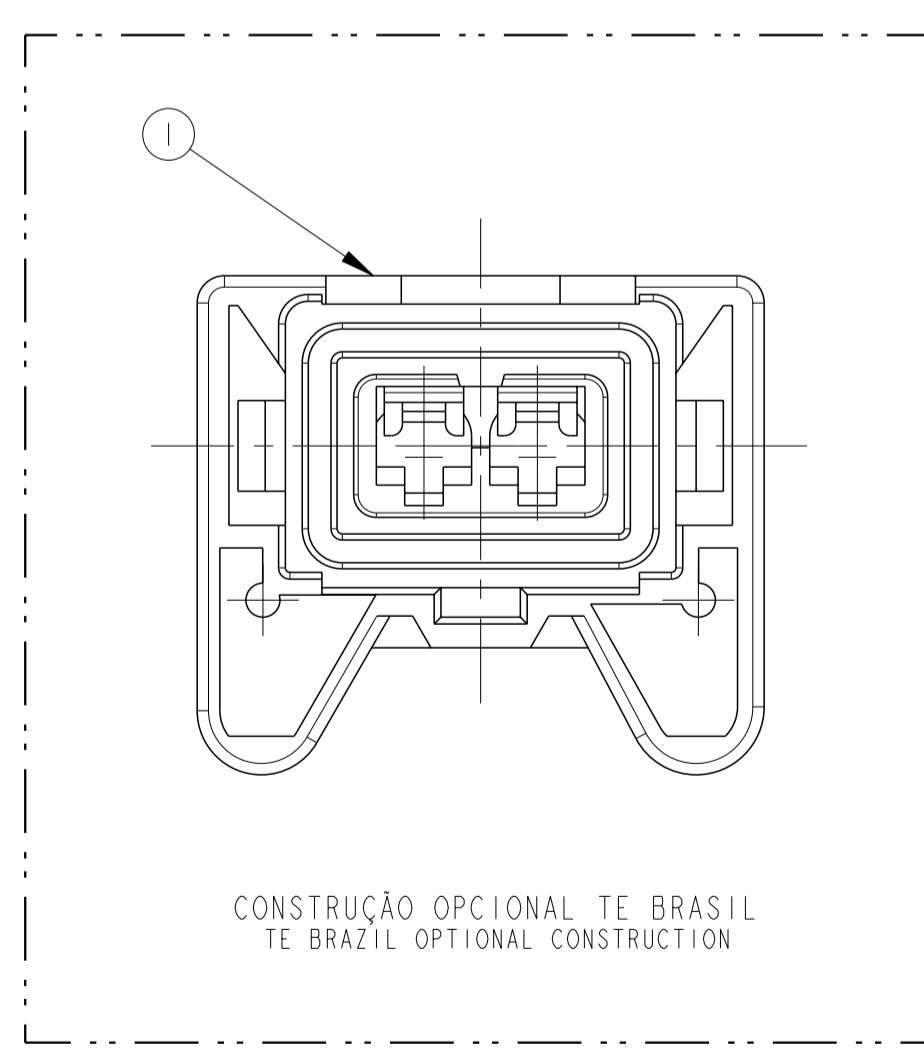
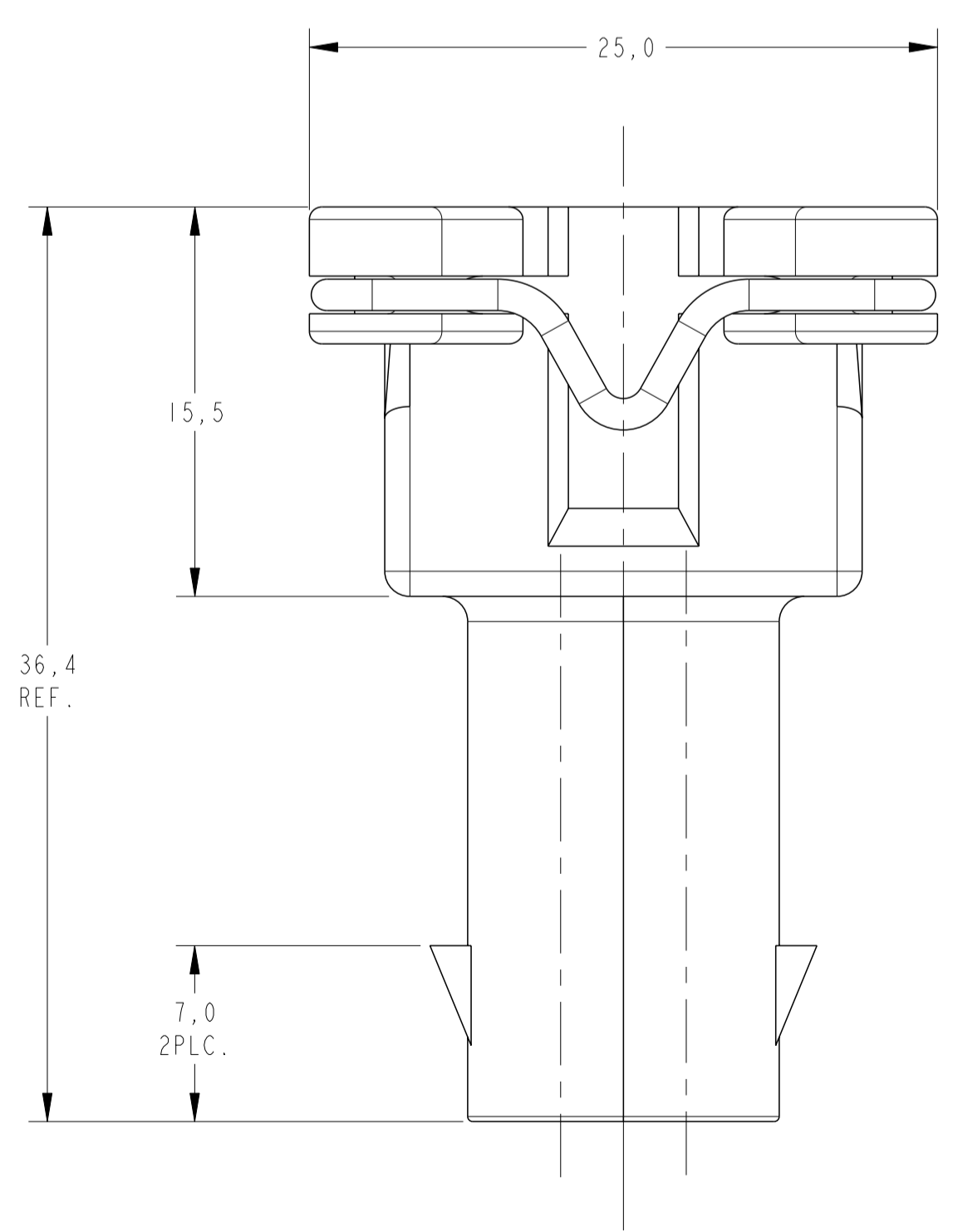


LOC	DIST	REVISIONS					
AP	-	P.	LTH	DESCRIPTION	DATE	DMN	APVD
		E		REVISED DESIGN ECO-12-003644	23FEB2012	NCL	GOJ
		E1		REVISED DESIGN ECO-12-009326	17MAY2012	NCL	GOJ



PERSPECTIVE VIEWS
SCALE 2:1



GRAVAÇÃO MARKING
LOGOTIPO AMP AMP LOGO
CÓDIGO PAÍS PRODUTOR MANUFACTURER COUNTRY CODE
NÚMERO COMPONENTE TE TE COMPONENT NUMBER
NÚMERO CAVIDADE CAVITY NUMBER
IDENTIFICAÇÃO CIRCUITO CIRCUIT IDENTIFICATION

△ - OS ITENS 1 E 2 SÃO FORNECIDOS COMO MOSTRADO. △ - ITENS 1 AND 2 ARE SUPPLIED AS SHOWN.
 2 - CAVIDADE PARA TERMINAL JUNIOR POWER TIMER COM "WIRE SEAL". 2 - CAVITY FOR JUNIOR POWER TIMER WITH "WIRE SEAL".

ITEM	DESCRIPTION	MATERIAL	FINISH
1	4 SPRING	AÇO INOX - SST	---
1	3 RUBBER SEAL	SILICONE	LARANJA/ORANGE
1	2 SPACER	P. B. T	AMARELO/YELLOW
1	HOUSING, 2 POSN., JUNIOR POWER TIMER	P. B. T + 30% FV/GF	VERDE/GREEN
1	HOUSING, 2 POSN., JUNIOR POWER TIMER	P. B. T + 30% FV/GF	AMARELO/YELLOW
1	HOUSING, 2 POSN., JUNIOR POWER TIMER	P. B. T + 30% FV/GF	AZUL/BLUE
1	HOUSING, 2 POSN., JUNIOR POWER TIMER	P. B. T + 30% FV/GF	MARRON/BROWN
1	HOUSING, 2 POSN., JUNIOR POWER TIMER	P. B. T + 30% FV/GF	CINZA CLARO/LIGHT GRAY
1	HOUSING, 2 POSN., JUNIOR POWER TIMER	P. B. T + 30% FV/GF	VERMELHO/RED
1	HOUSING, 2 POSN., JUNIOR POWER TIMER	P. B. T + 30% FV/GF	NATURAL
1	HOUSING, 2 POSN., JUNIOR POWER TIMER	P. B. T + 30% FV/GF	PRETO/BLACK

THIS DRAWING IS A CONTROLLED DOCUMENT. DMN: N. C. LAPRESA 10NOV99
 CHK: P. L. FARIA 20NOV99
 APVD: J. M. M. NETO 20NOV99

DIMENSIONS: mm TOLERANCES UNLESS OTHERWISE SPECIFIED:
 0 PLC ±0,3
 1 PLC ±0,3
 2 PLC ±0,3
 3 PLC ±0,3
 4 PLC ±0,3
 ANGLES ±1°

MATERIAL: SEE TABLE FINISH: SEE TABLE

WEIGHT: -

CUSTOMER DRAWING

NAME: HOUSING, ASSY, 2 POSN., JUNIOR POWER TIMER

SIZE: A1 CAGE CODE: 00779 DRAWING NO: 444079 RESTRICTED TO: -

SCALE: - SHEET: 1 OF 1 REV: E1

Mouser Electronics

Authorized Distributor

Click to View Pricing, Inventory, Delivery & Lifecycle Information:

[TE Connectivity:](#)

[444079-1](#)