

PCB terminal block - MKDSP 10HV/ 3-10,16 - 1929520

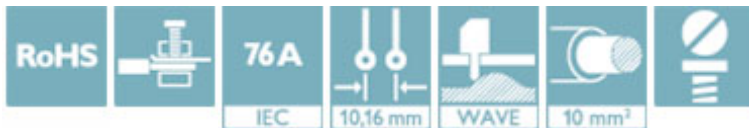
Please be informed that the data shown in this PDF Document is generated from our Online Catalog. Please find the complete data in the user's documentation. Our General Terms of Use for Downloads are valid (<http://phoenixcontact.com/download>)




PCB terminal block, nominal current: 76 A, rated voltage (III/2): 1000 V, nominal cross section: 10 mm², pitch: 10.16 mm, number of positions: 3, connection method: Screw connection with tension sleeve, mounting: Wave soldering, conductor/PCB connection direction: 0 °, color: green, Pin layout: Linear double pinning, Solder pin [P]: 5 mm. The article can be aligned to create different nos. of positions!

Your advantages

- ✓ Well-known connection principle allows worldwide use
- ✓ Low temperature rise, thanks to maximum contact force
- ✓ Allows connection of two conductors
- ✓ Quick and convenient testing using integrated test option
- ✓ The latching on the side enables various numbers of positions to be combined
- ✓ Integrated protective guide prevents incorrect insertion of the conductor underneath the tension sleeve



Key Commercial Data

| | |
|--------------|---|
| Packing unit | 50 pc |
| GTIN |  4 017918 819644 |
| GTIN | 4017918819644 |

Technical data

Item properties

| | |
|---------------------------|--------------------------------------|
| Brief article description | PCB terminal block |
| Range of articles | MKDSP 10HV |
| Pitch | 10.16 mm |
| Number of positions | 3 |
| Connection method | Screw connection with tension sleeve |
| Drive form screw head | Slotted (L) |
| Screw thread | M4 |
| Mounting type | Wave soldering |
| Pin layout | Linear double pinning |
| Number of levels | 1 |

PCB terminal block - MKDSP 10HV/ 3-10,16 - 1929520

Technical data

Item properties

| | |
|-----------------------|---|
| Number of connections | 3 |
| Number of potentials | 3 |

Electrical parameters

| | |
|-----------------------------|--------|
| Nominal current | 76 A |
| Nom. voltage | 1000 V |
| Rated voltage | 690 V |
| Rated voltage (III/2) | 1000 V |
| Rated voltage (II/2) | 1000 V |
| Rated surge voltage (III/3) | 8 kV |
| Rated surge voltage (III/2) | 8 kV |
| Rated surge voltage (II/2) | 6 kV |

Connection capacity

| | |
|---|---|
| Connection method | Screw connection with tension sleeve |
| pluggable | Yes |
| Conductor cross section solid | 0.5 mm ² ... 16 mm ² |
| Conductor cross section flexible | 0.5 mm ² ... 16 mm ² |
| Conductor cross section AWG / kcmil | 20 ... 6 |
| Conductor cross section flexible, with ferrule without plastic sleeve | 0.5 mm ² ... 16 mm ² |
| Conductor cross section, flexible, with ferrule, with plastic sleeve | 0.5 mm ² ... 16 mm ² |
| 2 conductors with same cross section, solid | 0.5 mm ² ... 4 mm ² |
| 2 conductors with same cross section, flexible | 0.5 mm ² ... 4 mm ² |
| 2 conductors with same cross section, flexible, with ferrule without plastic sleeve | 0.5 mm ² ... 2.5 mm ² |
| 2 conductors with the same cross section, flexible, with TWIN ferrule with plastic sleeve | 0.5 mm ² ... 6 mm ² |
| Stripping length | 10 mm |
| Torque | 1.2 Nm ... 1.5 Nm |

Material data - contact

| | |
|---|---|
| Note | WEEE/RoHS-compliant, free of whiskers according to IEC 60068-2-82/ JEDEC JESD 201 |
| Contact material | Cu alloy |
| Metal surface terminal point (top layer) | Tin (5 - 7 µm Sn) |
| Metal surface terminal point (middle layer) | Nickel (2 - 3 µm Ni) |
| Metal surface soldering area (top layer) | Tin (5 - 7 µm Sn) |
| Metal surface soldering area (middle layer) | Nickel (2 - 3 µm Ni) |

Material data - housing

| | |
|----------------------------|--------------|
| Housing color | green (6021) |
| Insulating material | PA |
| Insulating material group | I |
| CTI according to IEC 60112 | 600 |

PCB terminal block - MKDSP 10HV/ 3-10,16 - 1929520

Technical data

Material data - housing

| | |
|---|--------|
| Flammability rating according to UL 94 | V0 |
| Glow wire flammability index GWFI according to EN 60695-2-12 | 850 |
| Glow wire ignition temperature GWIT according to EN 60695-2-13 | 775 |
| Temperature for the ball pressure test according to EN 60695-10-2 | 125 °C |

Dimensions for the product

| | |
|-----------------------------|------------|
| Length [l] | 22 mm |
| Width [w] | 30.48 mm |
| Height [h] | 35.8 mm |
| Pitch | 10.16 mm |
| Height (without solder pin) | 30.8 mm |
| Solder pin [P] | 5 mm |
| Pin spacing | 10.16 mm |
| Pin dimensions | 1 x 0.9 mm |
| Dimension a | 20.32 mm |

Dimensions for PCB design

| | |
|---------------|----------|
| Hole diameter | 1.5 mm |
| Pin spacing | 10.16 mm |

Packaging information

| | |
|----------------------------|---------------------|
| Type of packaging | packed in cardboard |
| Pieces per package | 50 |
| Denomination packing units | Pcs. |

Ambient conditions

| | |
|---|---|
| Ambient temperature (storage/transport) | -40 °C ... 70 °C |
| Ambient temperature (assembly) | -5 °C ... 55 °C |
| Ambient temperature (operation) | -40 °C ... 100 °C (Depending on the current carrying capacity/derating curve) |

Electrical tests

| | |
|-----------------------------|--------------------|
| Rated current | 76 A |
| Conductor cross section | 16 mm ² |
| Rated voltage (III/2) | 1000 V |
| Rated surge voltage (III/2) | 8 kV |

Air clearances and creepage distances

| | |
|---|---------------------|
| Clearances and creepage distances | IEC 60664-1:2007-04 |
| Specification | IEC 60664-1:2007-04 |
| Minimum clearance - inhomogeneous field (III/3) | 8 mm |
| Minimum clearance - inhomogeneous field (III/2) | 8 mm |
| Minimum clearance - inhomogeneous field (II/2) | 5.5 mm |
| Minimum creepage distance value (III/3) | 8 mm |

PCB terminal block - MKDSP 10HV/ 3-10,16 - 1929520

Technical data

Air clearances and creepage distances

| | |
|---|------|
| Minimum creepage distance value (III/2) | 5 mm |
| Minimum creepage distance value (II/2) | 5 mm |

Current carrying capacity / derating curves

Standards and Regulations

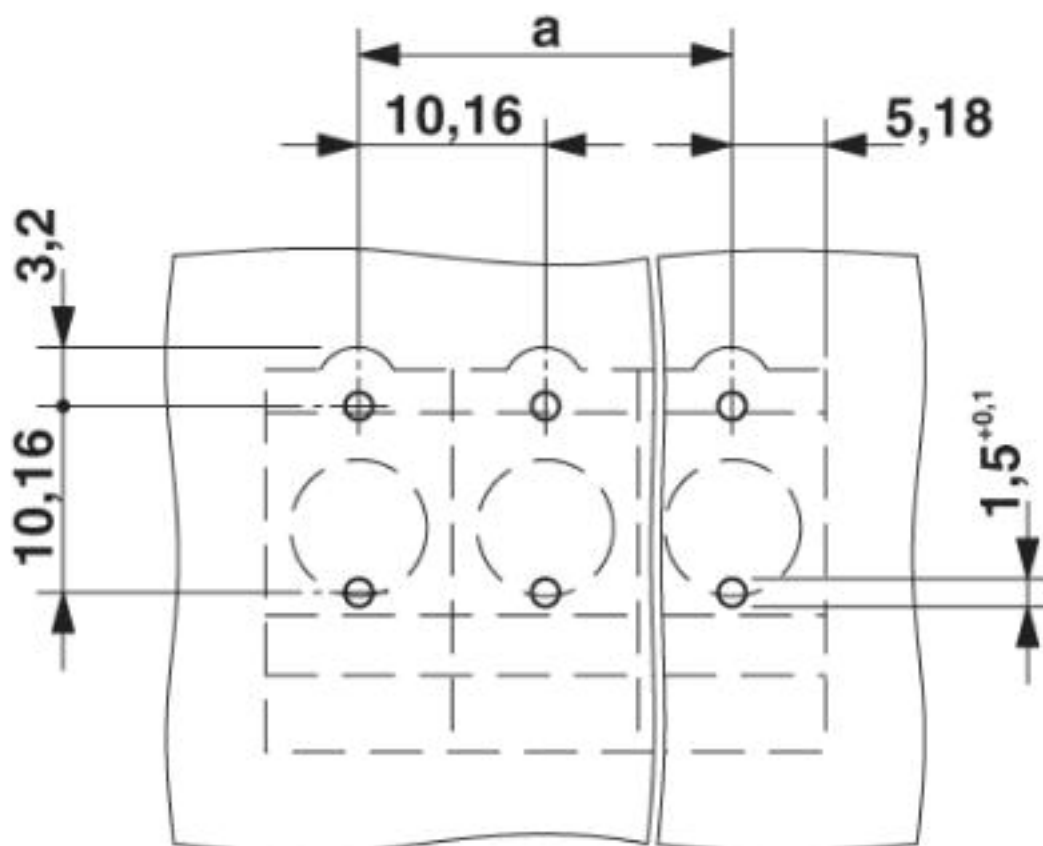
| | |
|--|--------|
| Connection in acc. with standard | EN-VDE |
| | CUL |
| Flammability rating according to UL 94 | V0 |

Environmental Product Compliance

| | |
|------------|---|
| REACH SVHC | Lead 7439-92-1 |
| China RoHS | Environmentally Friendly Use Period = 50 years |
| | For details about hazardous substances go to tab "Downloads", Category "Manufacturer's declaration" |

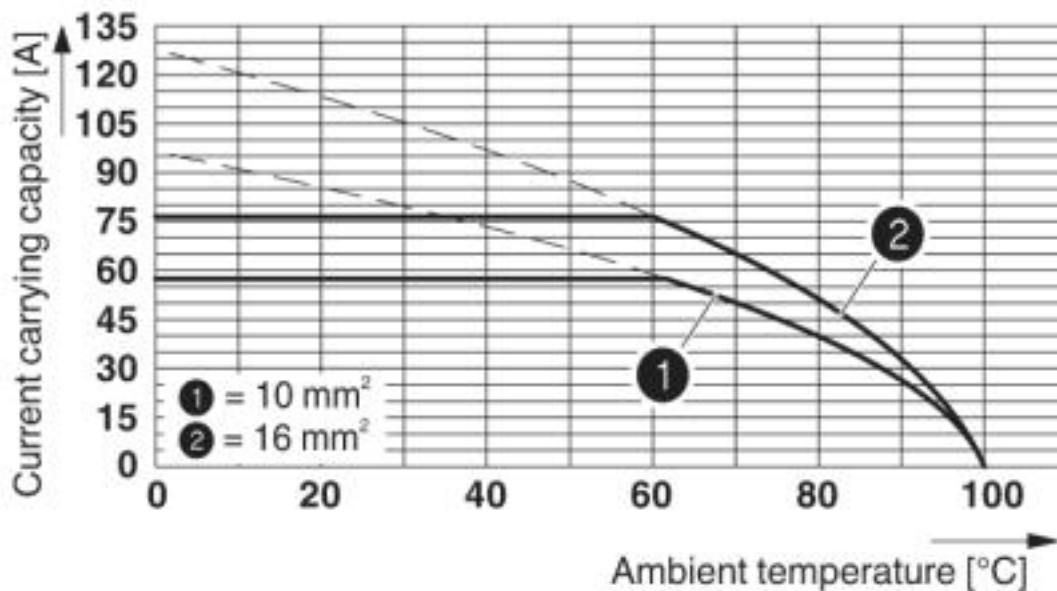
Drawings

Drilling diagram



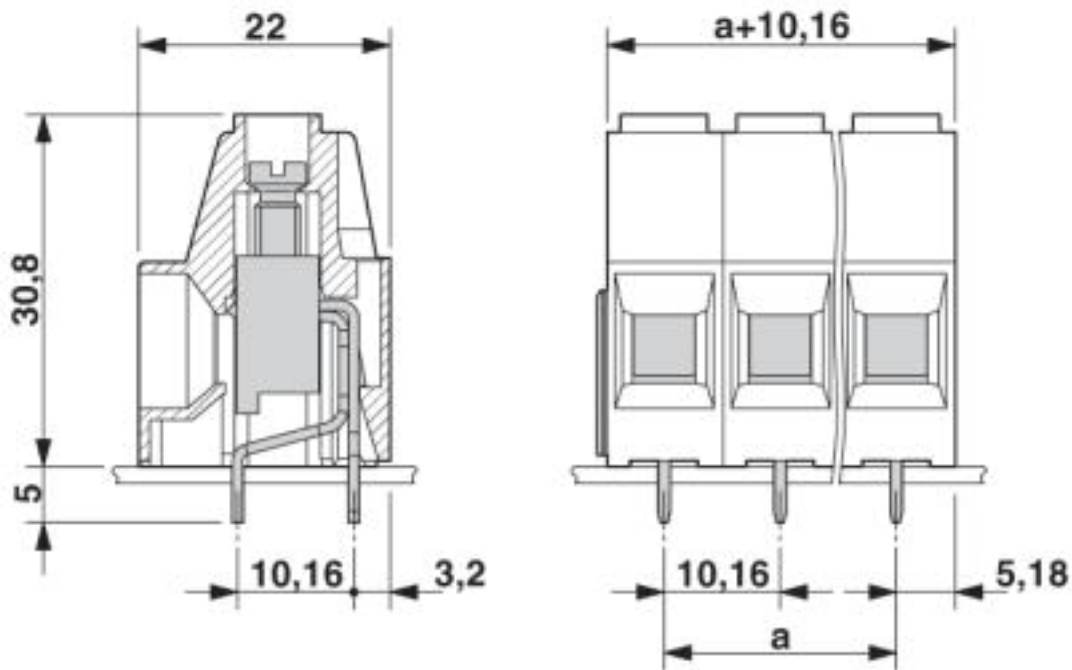
PCB terminal block - MKDSP 10HV/ 3-10,16 - 1929520

Diagram



Type: MKDSP 10N/...-10,16
Tested in accordance with DIN EN 60512-5-2:2003-01
Reduction factor = 1
No. of positions: 5

Dimensional drawing



PCB terminal block - MKDSP 10HV/ 3-10,16 - 1929520

Classifications

eCl@ss

| | |
|------------|----------|
| eCl@ss 4.0 | 27141100 |
| eCl@ss 4.1 | 27141100 |
| eCl@ss 5.0 | 27141100 |
| eCl@ss 5.1 | 27261100 |
| eCl@ss 6.0 | 27261100 |
| eCl@ss 7.0 | 27440401 |
| eCl@ss 8.0 | 27440401 |
| eCl@ss 9.0 | 27440401 |

ETIM

| | |
|----------|----------|
| ETIM 3.0 | EC001121 |
| ETIM 4.0 | EC002643 |
| ETIM 5.0 | EC002643 |
| ETIM 6.0 | EC002643 |
| ETIM 7.0 | EC002643 |

UNSPSC

| | |
|---------------|----------|
| UNSPSC 6.01 | 30211801 |
| UNSPSC 7.0901 | 39121432 |
| UNSPSC 11 | 39121432 |
| UNSPSC 12.01 | 39121432 |
| UNSPSC 13.2 | 39121432 |
| UNSPSC 18.0 | 39121432 |
| UNSPSC 19.0 | 39121432 |
| UNSPSC 20.0 | 39121432 |
| UNSPSC 21.0 | 39121432 |

Approvals

Approvals

Approvals

IECEE CB Scheme / SEV / EAC / cULus Recognized

Ex Approvals

Approval details

PCB terminal block - MKDSP 10HV/ 3-10,16 - 1929520

Approvals

| | | | |
|----------------------------|-------|---|----------|
| IECEE CB Scheme | | http://www.iecee.org/ | CH-10724 |
| Nominal voltage UN | 690 V | | |
| Nominal current IN | 57 A | | |
| mm ² /AWG/kcmil | 16 | | |

| | | | |
|----------------------------|-------|---|---------|
| SEV | | https://www.eurofins.ch/de/ | IK-4486 |
| Nominal voltage UN | 690 V | | |
| Nominal current IN | 57 A | | |
| mm ² /AWG/kcmil | 16 | | |

| | | | |
|-----|--|--|---------|
| EAC | | | B.01687 |
|-----|--|--|---------|

| | | | | |
|----------------------------|-------|---|-------|-----------------|
| cULus Recognized | | http://database.ul.com/cgi-bin/XYV/template/LISEXT/1FRAME/index.htm | | E60425-19770427 |
| | B | C | D | |
| Nominal voltage UN | 300 V | 300 V | 600 V | |
| Nominal current IN | 60 A | 60 A | 5 A | |
| mm ² /AWG/kcmil | 20-6 | 20-6 | 20-6 | |

Accessories

Accessories

Crimping tool

Crimping pliers - CRIMPFOX 6 - 1212034



Crimping pliers, for ferrules without insulating collar according to DIN 46228 Part 1 and ferrules with insulating collar according to DIN 46228 Part 4, 0.25 mm² ... 6.0 mm², lateral entry, trapezoidal crimp

PCB terminal block - MKDSP 10HV/ 3-10,16 - 1929520

Accessories

Crimping pliers - CRIMPFOX 16 S - 1207983



Crimping pliers for ferrules up to 16 mm²

Insulating sleeve

Insulating sleeve - MPS-IH WH - 0201663

Insulating sleeve, color: white



Insulating sleeve - MPS-IH RD - 0201676

Insulating sleeve, color: red



Insulating sleeve - MPS-IH BK - 0201731

Insulating sleeve, color: black



Insulating sleeve - MPS-IH GY - 0201728

Insulating sleeve, color: gray



PCB terminal block - MKDSP 10HV/ 3-10,16 - 1929520

Accessories

Insulating sleeve - MPS-IH GN - 0201702

Insulating sleeve, color: green



Insulating sleeve - MPS-IH YE - 0201692

Insulating sleeve, color: yellow



Insulating sleeve - MPS-IH BU - 0201689

Insulating sleeve, color: blue



Pitch spacer

Pitch spacer - RZ-MKDSP 10 HV-2,54 - 1929672



Pitch spacer, raises the pitch by 2.54 mm, interlocks with terminal block, color: green

Screwdriver tools

Screwdriver - SZS 0,6X3,5 - 1205053



Actuation tool, for ST terminal blocks, insulated, also suitable for use as a bladed screwdriver, size: 0.6 x 3.5 x 100 mm, 2-component grip, with non-slip grip

Terminal marking

PCB terminal block - MKDSP 10HV/ 3-10,16 - 1929520

Accessories

Marker strip - SK 5,0 WH:REEL - 0805221



Marker strip, Roll, white, unlabeled, can be labeled with: THERMOMARK ROLL 2.0, THERMOMARK ROLL, THERMOMARK ROLL X1, THERMOMARK ROLLMASTER 300/600, THERMOMARK X1.2, mounting type: adhesive, for terminal block width: 5 mm, lettering field size: continuous x 5 mm, Number of individual labels: 90000

Test plug terminal block

Reducing plug - RPS - 0201647



Reducing plug, color: gray

Test plugs - MPS-MT - 0201744



Test plugs, with solder connection up to 1 mm² conductor cross section, color: gray

Additional products

PCB terminal block - MKDSP 10HV/ 2-10,16 - 1929517



PCB terminal block, nominal current: 76 A, rated voltage (III/2): 1000 V, nominal cross section: 10 mm², pitch: 10.16 mm, number of positions: 2, connection method: Screw connection with tension sleeve, mounting: Wave soldering, conductor/PCB connection direction: 0 °, color: green, Pin layout: Linear double pinning, Solder pin [P]: 20.32 mm. The article can be aligned to create different nos. of positions!