

4

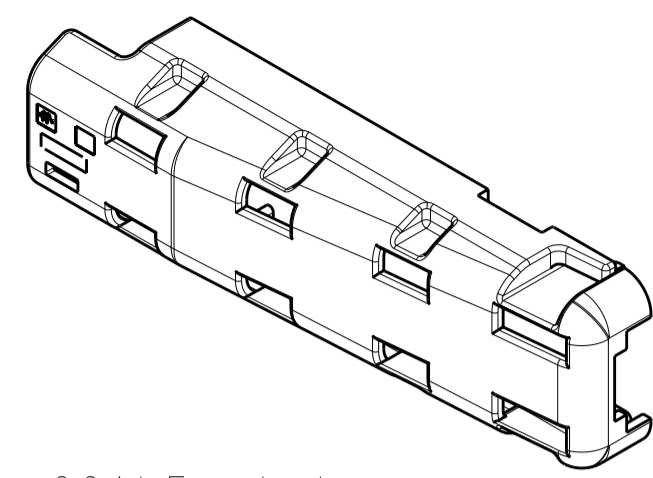
3

2

1

THIS DRAWING IS UNPUBLISHED. RELEASED FOR PUBLICATION 20
 © COPYRIGHT 20 BY TYCO ELECTRONICS CORPORATION. ALL RIGHTS RESERVED.

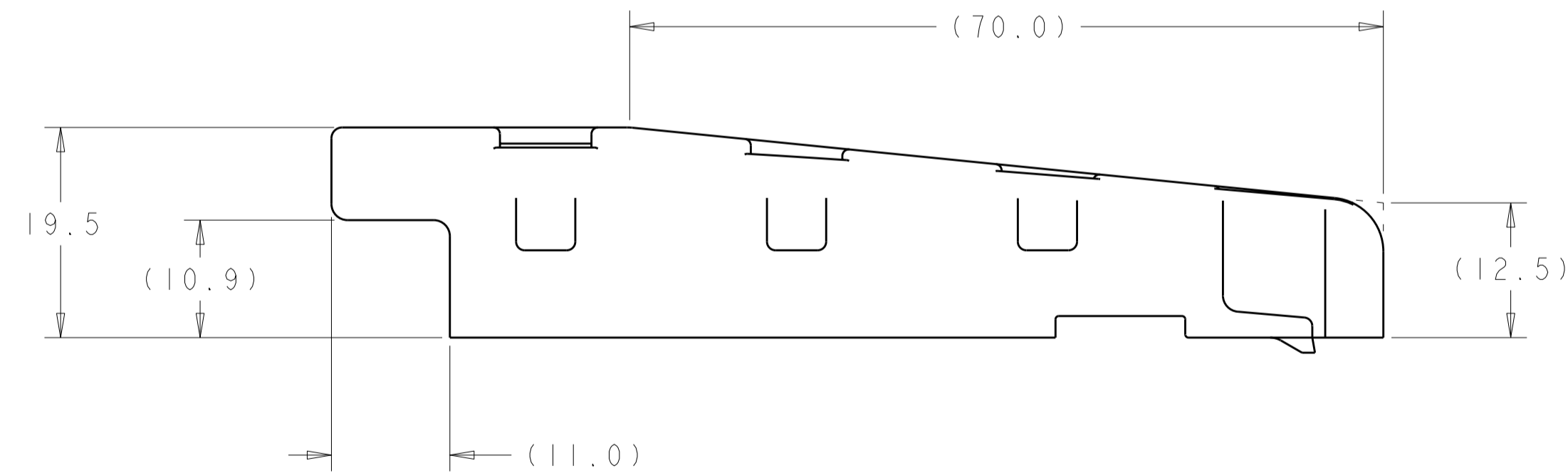
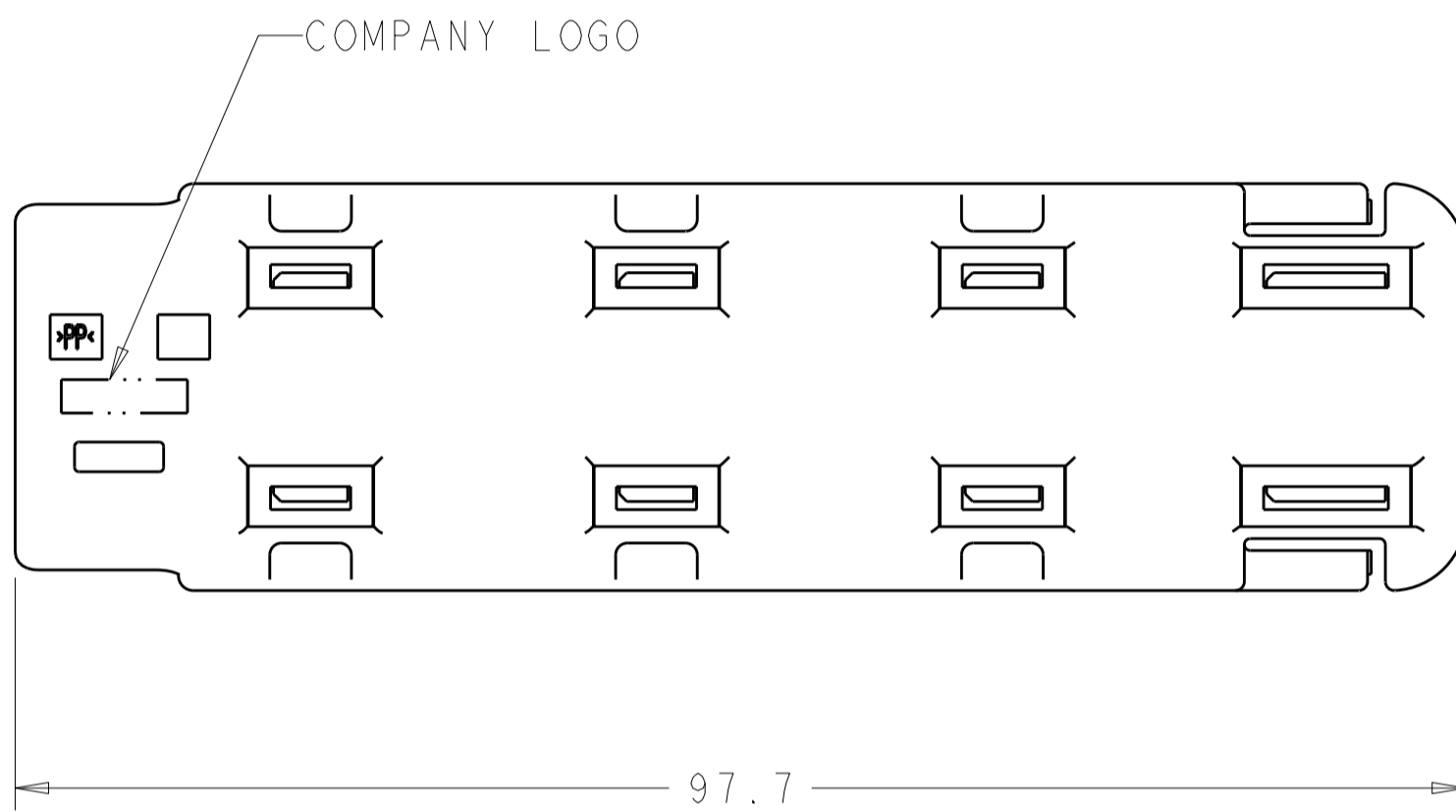
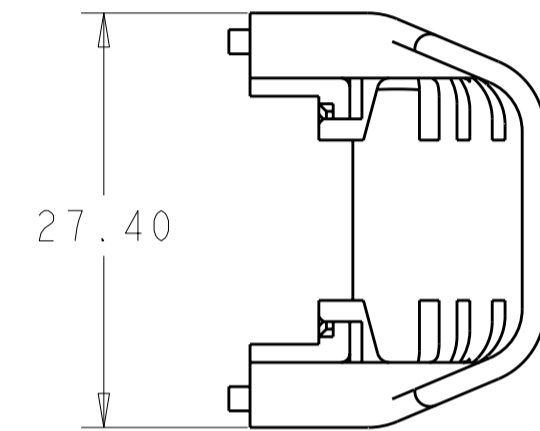
LOC	DIST	REVISIONS				
P	LTR	DESCRIPTION	DATE	DWN	APVD	
FX	00					
	C	REVISED PER ECR 05-014247	02DEC2005	DLD	AJV	
	CI	REV PER ECR-10-009878	06MAY2010	VSS	GM	



SCALE 1:1

△ MATERIAL: POLYPROPYLENE
 COLOR: SEE TABLE

2. MAXIMUM WIRE BUNDLE DIAMETER IS 13mm.



BLACK	638622-2
NATURAL	638622-1
COLOR	PART NUMBER

<small>THIS DRAWING IS A CONTROLLED DOCUMENT FOR TYCO ELECTRONICS CORPORATION IT IS SUBJECT TO CHANGE AND THE CONTROLLING ENGINEERING ORGANIZATION SHOULD BE CONTACTED FOR THE LATEST REVISION.</small>		DWN <u>V.M. KANE</u> 28JUN2000 CHK <u>V.M. KANE</u> 20AUG2001 APVD <u>V.M. KANE</u> 20AUG2001	Tyco Electronics Tyco Electronics Harrisburg, PA 17105-3608
DIMENSIONS: mm 	TOLERANCES UNLESS OTHERWISE SPECIFIED: 0 PLC ±- 1 PLC ±0.4 2 PLC ±0.20 3 PLC ±- 4 PLC ±- ANGLES ±- FINISH ±-	PRODUCT SPEC - APPLICATION SPEC - WEIGHT -	NAME WIRE GUARD, 60 WAY AIRBAG, GET CONNECTOR SIZE A2 CAGE CODE 00779 DRAWING NO C-638622 RESTRICTED TO -
MATERIAL △	CUSTOMER DRAWING		SCALE 2:1 SHEET 1 OF 1 REV C1

638622

Mouser Electronics

Authorized Distributor

Click to View Pricing, Inventory, Delivery & Lifecycle Information:

[TE Connectivity:](#)

[638622-1](#)