

4

3

2

1


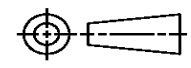
THIS DRAWING IS UNPUBLISHED. RELEASED FOR PUBLICATION
© COPYRIGHT ALL RIGHTS RESERVED.

LOC		DIST		REVISIONS		
P	LTR	DESCRIPTION	DATE	DWN	APVD	
	A1	ECR-13-017201	6NOV13	RS	LZ	

REPLACED BY OCEAN STYLE APPLICATOR PART NUMBER 2150076-2

FOR REPLACEMENT PARTS FOR APPLICATOR 1529237 REFER TO ADDITIONAL PAGE(S). SPARE PARTS KIT (IF LISTED) WILL REMAIN AVAILABLE.

THE REPLACEMENT OCEAN STYLE APPLICATOR HAS THE SAME TERMINATOR/PRESS INTERFACE AS APPLICATOR 1529237

THIS DRAWING IS A CONTROLLED DOCUMENT.		DWN R.SHEN	 TE Connectivity		
DIMENSIONS:		CHK LJ.ZHANG			
		APVD U.GUO	NAME FINE ADJUST SIDE FEED HDI APPLICATOR		
TOLERANCES UNLESS OTHERWISE SPECIFIED:		PRODUCT SPEC	APPLICATION SPEC		
0 PLC ± 1 PLC ± 2 PLC ± 3 PLC ± 4 PLC ± ANGLES ±		WEIGHT	SIZE A3	CAGE CODE	DRAWING NO ©- 1529237
MATERIAL		CUSTOMER ACCESSIBLE PRODUCTION DRAWING		SCALE	SHEET 1 OF 2 REV A1

PART NUMBER	REV	TERMINATOR	FEED TYPE	DESCRIPTION
1529237-1	A	BENCH & LEADMAKER	MECH POST FEED	HDI APPLICATOR
7-1529237-1	A	BENCH & LEADMAKER	MECH POST FEED	-1 AND SPARE PARTS
7-1529237-7	A	-	-	SPARE PARTS KIT

SET UP GAGE
458638-3

REV	DESCRIPTION	DATE	OWN	APPR
A	SEE ECO-07-008321	10APR2007	DP	MC

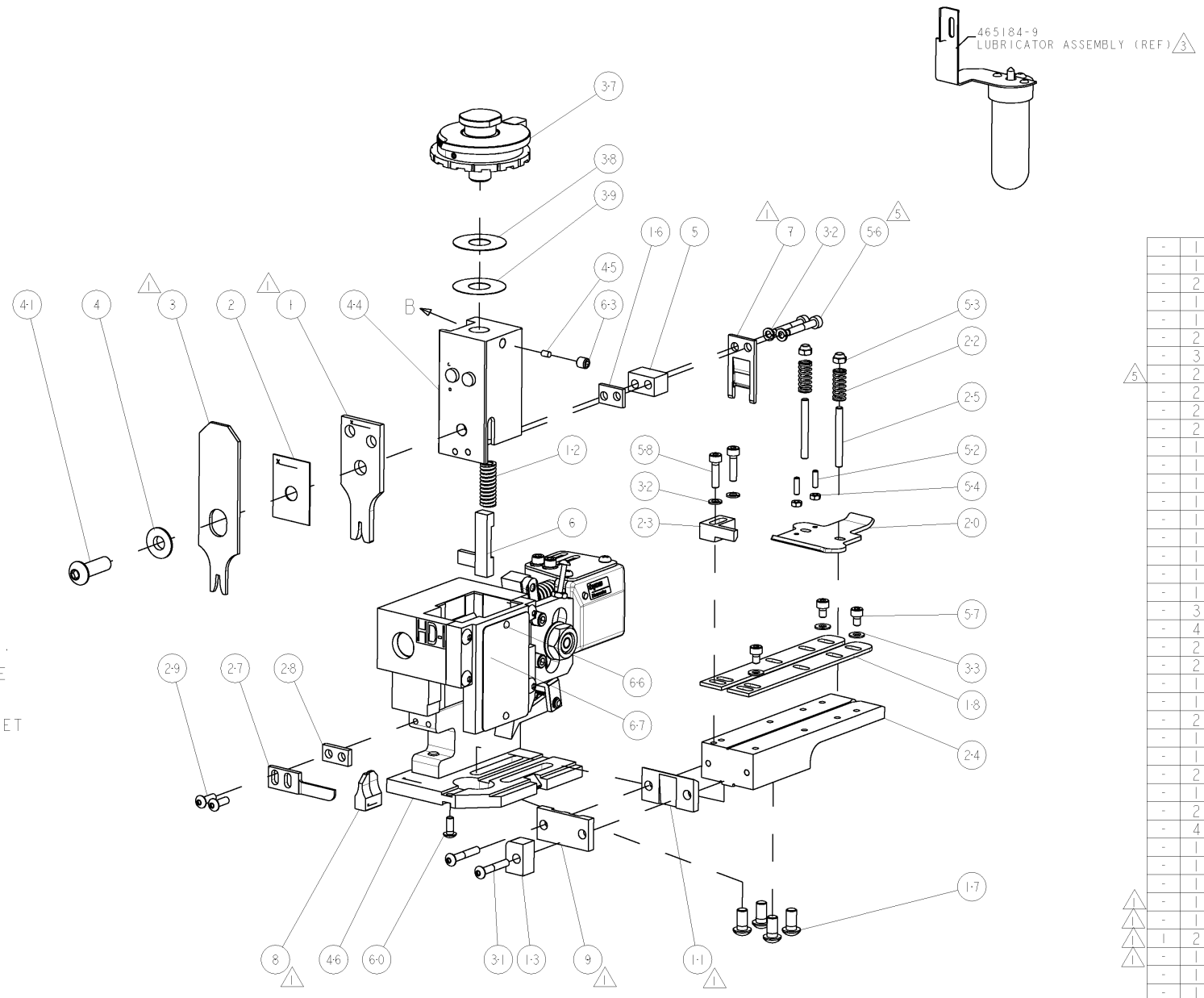
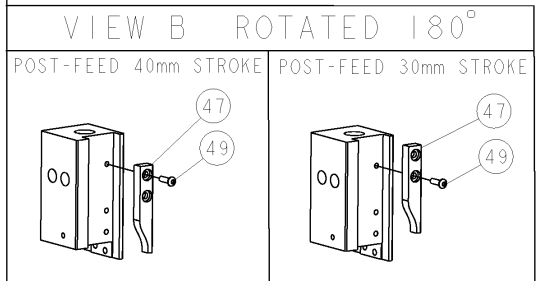
CRIMP DATA	TYCO TERMINAL	TYCO CRIMP SPECS
TERMINAL NAME: MIC IV TAB2.8 X 0.8 CRIMP CONTACT		
CRIMP	SIZE	TYPE RANGE
WIRE	1.78 [.070 IN]	F 0.35-1.00mm ²
INSUL	2.79 [.110 IN]	F 1.20-2.10 [.047-.083 IN]
WIRE STRIP LENGTH	5.00-6.00 [.197-.236 IN]	APPL INSTRUCTIONS 408-8323 & 408-8490
TERMINAL APPL SPEC	114-15034 (A) 114-15004 (B)	FEED 28.45 [1.120 IN]

TERMINALS APPLIED
142754 (A)
142184 (B)
142649 (A)
-
-
-

WIRE SIZE	CRIMP HEIGHT	REF SETTING
1.00mm ²	1.48 ± 0.05 [.058 ± .002 IN]	B4
0.75mm ²	1.41 ± 0.05 [.056 ± .002 IN]	B9
0.60mm ²	1.32 ± 0.05 [.052 ± .002 IN]	C6
0.50mm ²	1.27 ± 0.05 [.050 ± .002 IN]	C9
0.35mm ²	1.21 ± 0.05 [.048 ± .002 IN]	D4
-	-	-
-	-	-
-	-	-
-	-	-
-	-	-
-	-	-
-	-	-

- RECOMMENDED SPARE PARTS
- GREASE RAM, CAM, CAM FOLLOWER AND FEED ROD LIGHTLY.
- CERTAIN TERMINALS REQUIRE LUBRICATION. REFER TO THE APPLICATOR INSTRUCTION SHEET FOR MORE INFORMATION.
- LUBRICATE DAILY PER THE APPLICATOR INSTRUCTION SHEET SUPPLIED WITH THE APPLICATOR.
- CUT TO LENGTH AT ASSEMBLY.

*** WARNING**
ON INSTALLATION, SET WIRE DISC TO LARGEST WIRE SIZE SETTING. USE OF SETTINGS BELOW MIN. REQUIRED CRIMP HEIGHT SETTING WILL CAUSE DAMAGE TO CRIMP TOOLING.



-	1	1	1338705-4	DOCUMENTATION PACKAGE	71
-	1	1	461264-5	PLATE, IDENTIFICATION	67
-	2	2	21017-2	SCREW, DRIVE	66
-	1	1	3-18031-0	SCR, SET, CUP POINT M6 X 6.0	63
-	1	1	18024-7	SCR, BTN SKT HD CAP (M4 X 10.0)	60
-	2	2	1-18023-3	SCR, SKT HD CAP M4 X 16.0	58
-	3	3	18023-9	SCR, SKT HD CAP M4 X 6.0	57
-	2	2	1-18023-5	SCR, SKT HD CAP M4 X 25.0	56
-	2	2	18029-1	NUT, HEX, REG M3	54
-	2	2	986965-1	NUT, LOCK, HEX, TORQUE (M4)	53
-	2	2	2-18032-2	SCR, SET, FLT POINT M3 X 10.0	52
-	1	1	18024-3	SCR, BTN SKT HD CAP (M3 X 10.0)	49
-	1	1	1338676-1	CAM, UNIVERSAL POST-FEED	47
-	1	1	1338662-1	SUB ASSY, APPLICATOR FRAME	46
-	1	1	690191-1	PLUG, NYLON	45
-	1	1	1320998-1	RAM	44
-	1	1	2-18024-6	SCR, BTN SKT HD CAP (M8 X 25.0)	41
-	1	1	690125-1	SHIM SUB-ASSY	39
-	1	1	1-469367-0	SHIM	38
-	1	1	879103-3	FINE ADJUST HEAD ASSEMBLY	37
-	3	3	18027-2	WASHER, FLAT, REG M4	33
-	4	4	18025-2	WASHER, SPRG LOCK, REG M4	32
-	2	2	4-18024-7	SCR, BTN SKT HD CAP (M4 X 25.0)	31
-	2	2	18024-8	SCR, BTN SKT HD CAP (M4 X 12.0)	29
-	1	1	1-690451-5	SPACER, STRIPPER	28
-	1	1	240639-4	STRIPPER (MACHINING)	27
-	2	2	1320906-1	STUD, THREADED	25
-	1	1	1320995-8	PLATE, STRIP GUIDE	24
-	1	1	240825-1	PLATE, STRIP HOLD DOWN	23
-	2	2	4-22281-1	SPRING, DRAG	22
-	1	1	1338665-1	DRAG	20
-	2	2	1338663-4	GUIDE, LOWER STRIP	18
-	4	4	1-18024-8	SCR, BTN SKT HD CAP (M6 X 12.0)	17
-	1	1	1338708-1	SPACER, SLUG BLADE	16
-	1	1	1-690481-0	SPACER, HOLD DOWN	13
-	1	1	23846-1	SPRING, DIE	12
-	1	1	240833-7	PLATE, REAR SHEAR	11
-	1	1	690482-5	PLATE, FRONT SHEAR	9
-	1	2	1338686-1	ANVIL, COMBINATION	8
-	1	1	690474-5	BLADE, SLUG	7
-	1	1	6-455892-9	HOLD DOWN, TERMINAL	6
-	1	1	2-240641-6	SPACER	5
-	1	1	2-238009-3	BLOCK, FL CRIMPER SPACER	4
-	1	2	8-456134-7	CRIMPER, INSULATION F PREMIUM	3
-	1	1	455888-5	SPACER, CRIMPER	2
-	1	2	3-456404-9	CRIMPER, WIRE PREMIUM	1

DIMENSIONS	TOLERANCES UNLESS OTHERWISE SPECIFIED:	APPROVED	DATE	NAME	SCALE	CARE CODE	DRAWING NO	RESTRICTED TO
INCHES	10 PLC ±.010 1 PLC ±.015 2 PLC ±.020 3 PLC ±.030 4 PLC ±.040	L LOFTHOUSE	2MAR2007	M CLIFFORD	3:5	A1	00779 C-1529237	
MATERIAL	FINISH	CUSTOMER DRAWING		SCALE 3:5 SHEET 1 OF 1 REV A		CUSTOMER VIEWABLE ASSEMBLY		

Mouser Electronics

Authorized Distributor

Click to View Pricing, Inventory, Delivery & Lifecycle Information:

[TE Connectivity:](#)

[1529237-1](#)