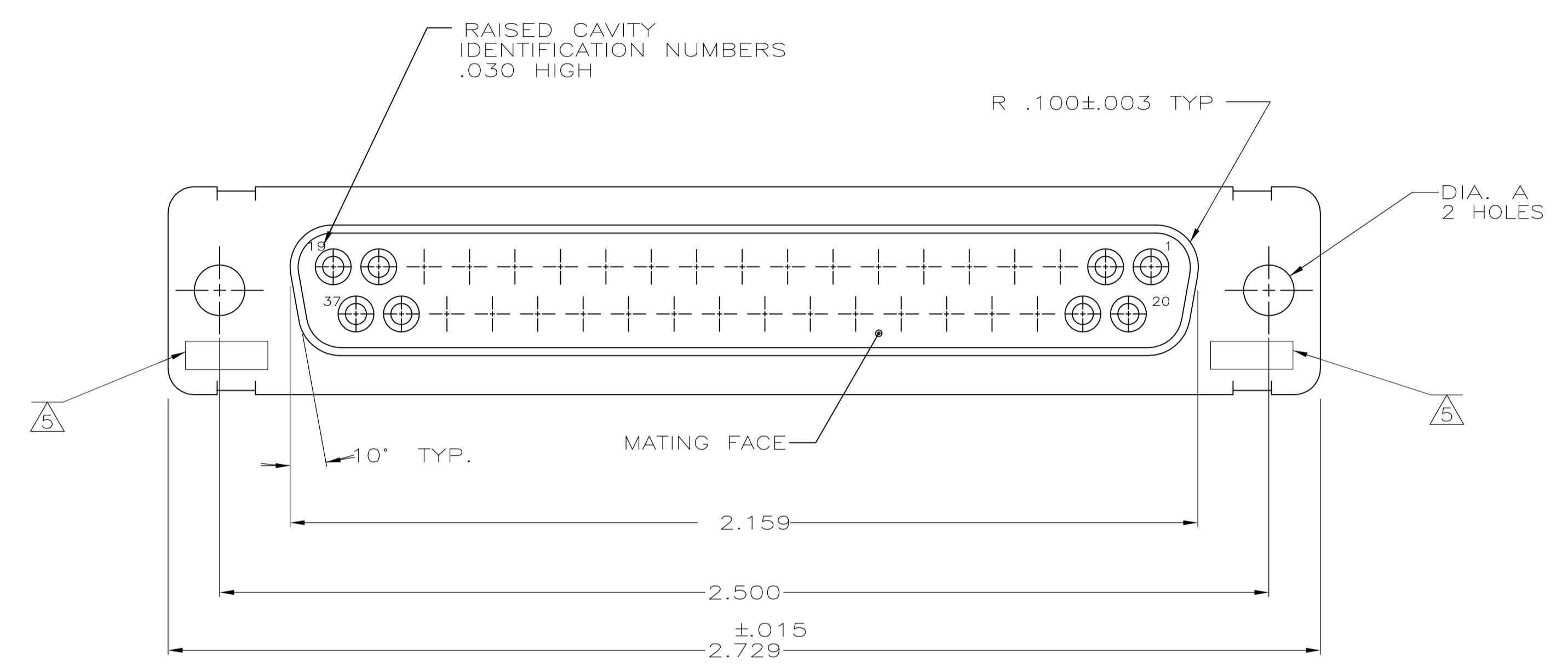
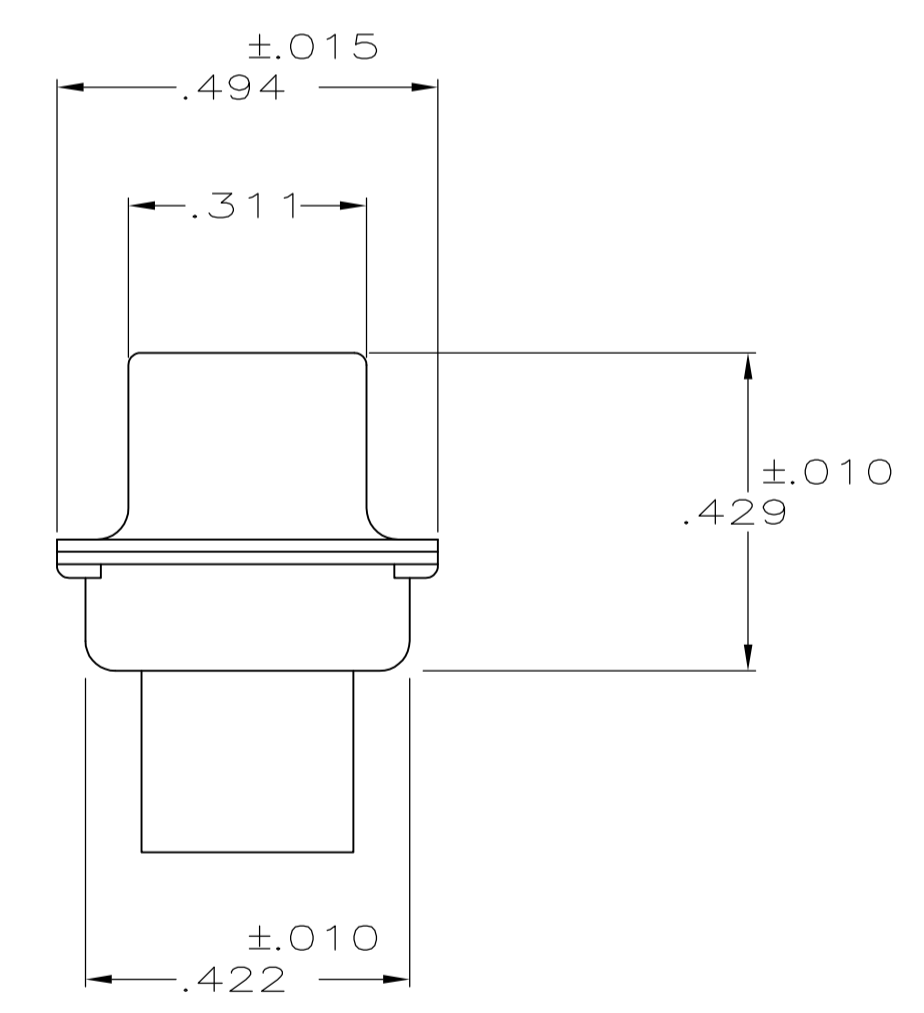
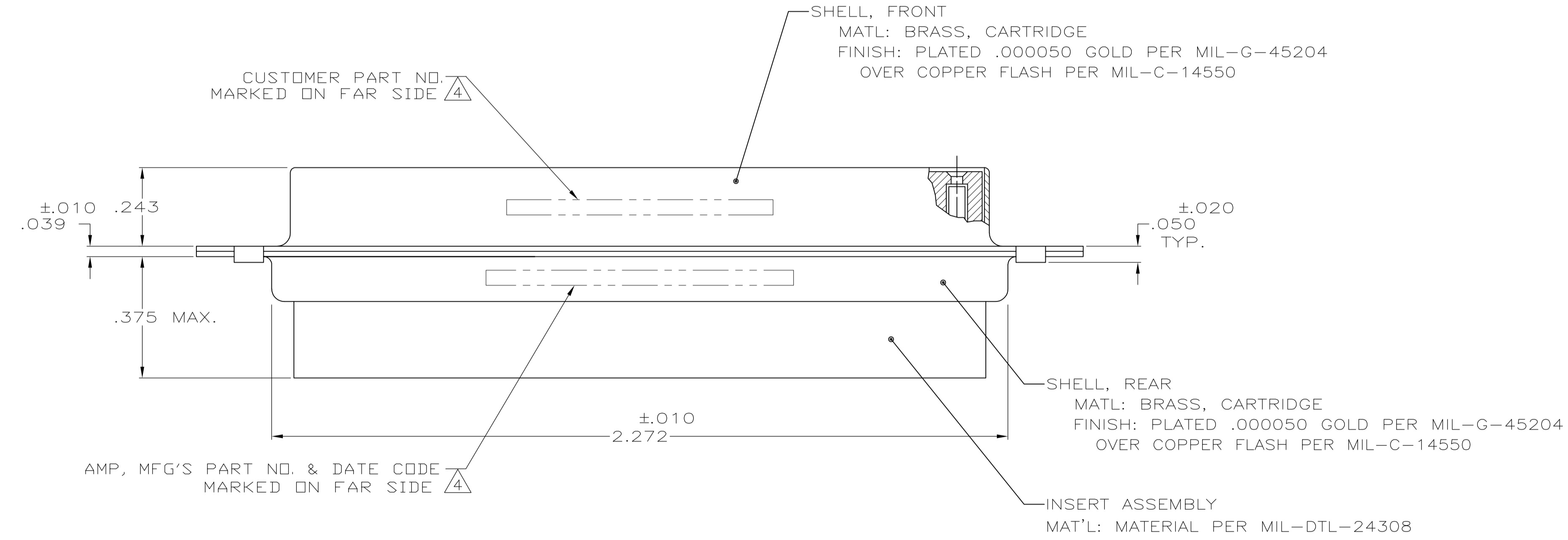


LOC		DIST		REVISIONS			
P	LTR	DESCRIPTION	DATE	DWN	APVD	CT	CD
T		REV PER ECO 15-016064	11-9-15	CT	CD		



1. THIS RECEPTACLE WILL MATE WITH ANY PLUG CONNECTOR WITH THE SAME INSERT ARRANGEMENT AS DEFINED BY MS18276-1.
 2. MAXIMUM WIRE INSULATION USED WITH THIS RCPT. IS .072 DIA. MAX.
 3. Be-Cu RETENTION CLIPS ARE INCLUDED IN INSERTS.
- ⚠️ 4 FAR SIDE REFERS TO WIDE SIDE OF KEYSTONE.
 - ⚠️ 5 UL/CSA DESIGNATION STAMPED IN THIS AREA, OPTIONAL
 - ⚠️ 6 RESTRICTED TO CAE ELECTRONICS ONLY.
 - ⚠️ 7 THESE CONNECTORS ARE QUALIFIED TO GODDARD SPACE FLIGHT CENTER SPECIFICATION S-311-P-4.
 - ⚠️ 8 CONNECTOR SUPPLIED WITH CONTACTS, AMP PART NUMBER 206793-1; (NOT INSTALLED).



	.120	570513-4	206803-9
⚠️ 8	.120	LMSC 1621480-004	206803-8
	.120	LMSC 1621480-004	206803-7
⚠️ 7	.120	311P409-4S-B-12	206803-6
OBSOLETE	.120	2A014-009V-001	206803-4
	.154		206803-3
⚠️ 7	.120	311P409-4S-B-12	206803-2
	.154	311P409-4S-B-15	206803-1
REMARKS	DIA A	INK STAMPED CUSTOMER P/N	INK STAMPED AMP P/N

THIS DRAWING IS A CONTROLLED DOCUMENT.

MANJUNATH G. M. 27-May-15
 CHARLES THOMAS 27-May-15
 CHARLES THOMAS 27-May-15

STE TE Connectivity

RECEPTACLE FOR SOCKET CONTACT, SIZE 4, 37 POS. (NON-MAGNETIC)

SIZE: A1 CAGE CODE: 00779C DRAWING NO: 206803

SCALE: 4:1 SHEET: 1 OF 1 REV: T

Mouser Electronics

Authorized Distributor

Click to View Pricing, Inventory, Delivery & Lifecycle Information:

[TE Connectivity:](#)

[206803-2](#)