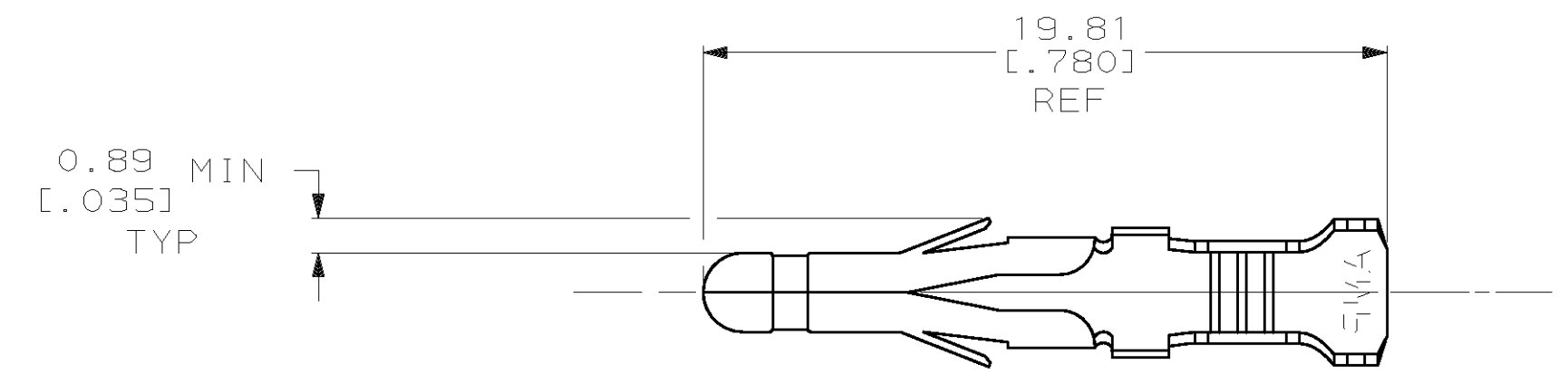
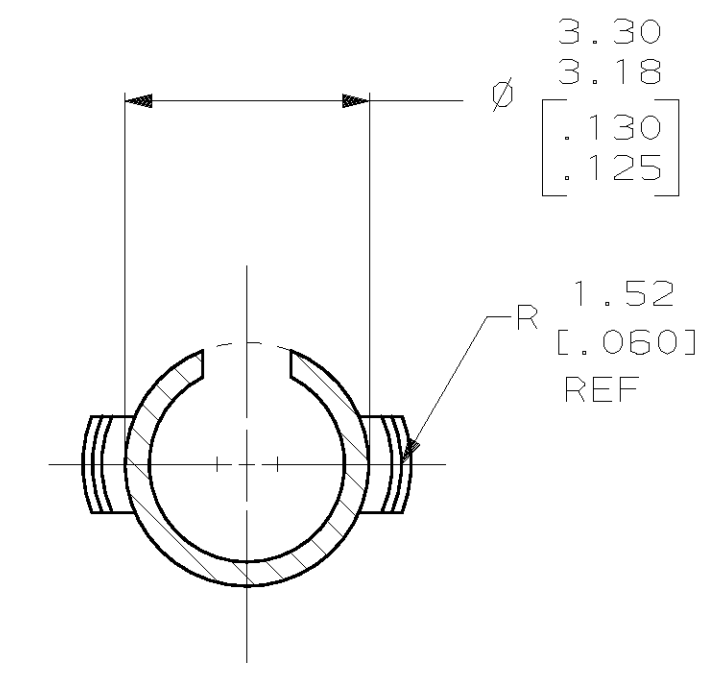


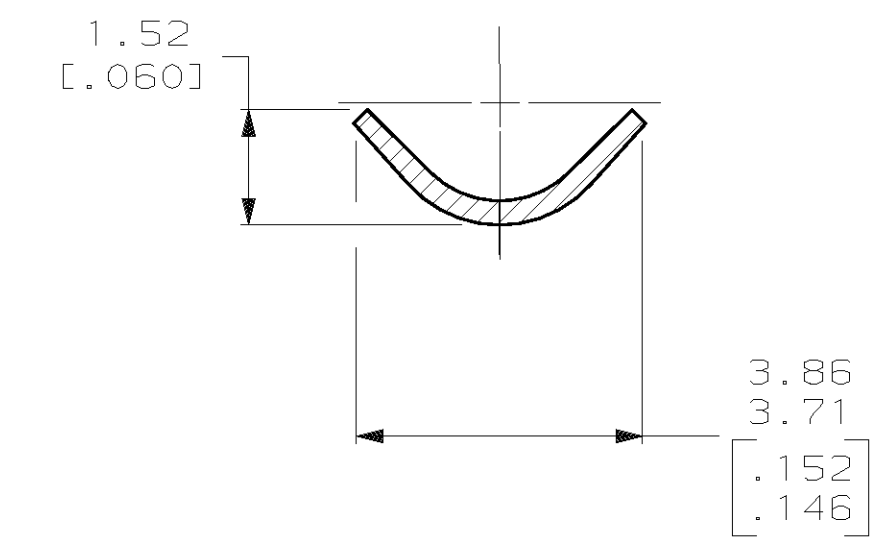
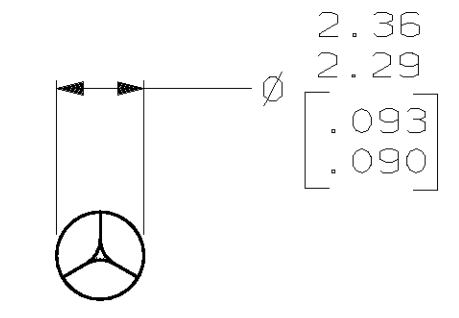
LOC		DIST		P		F		ZONE		LTR		REVISIONS		DATE	APPD	
CM	53												D	REV PER EC 061B-0103-98	6-11-98	JH RS



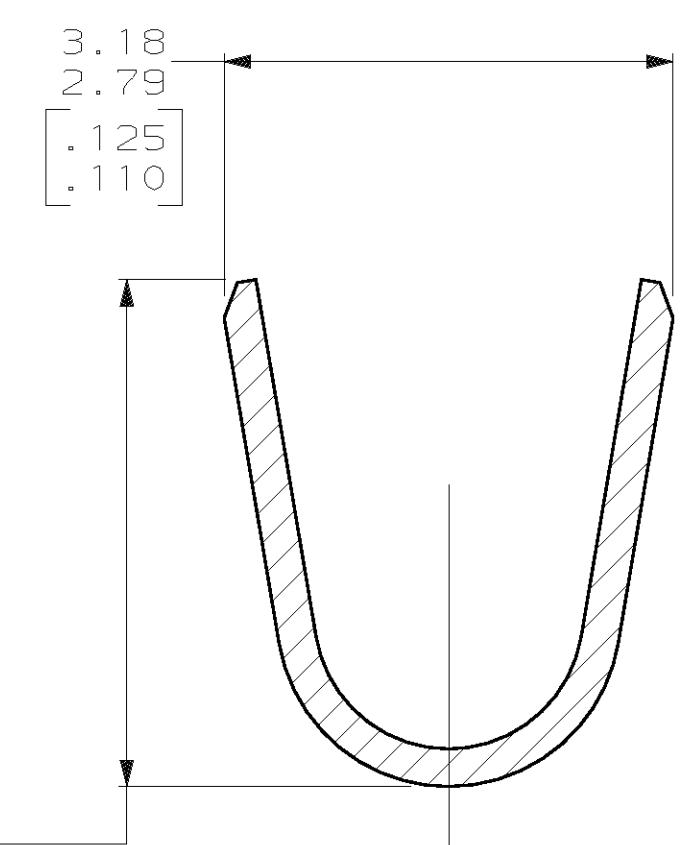
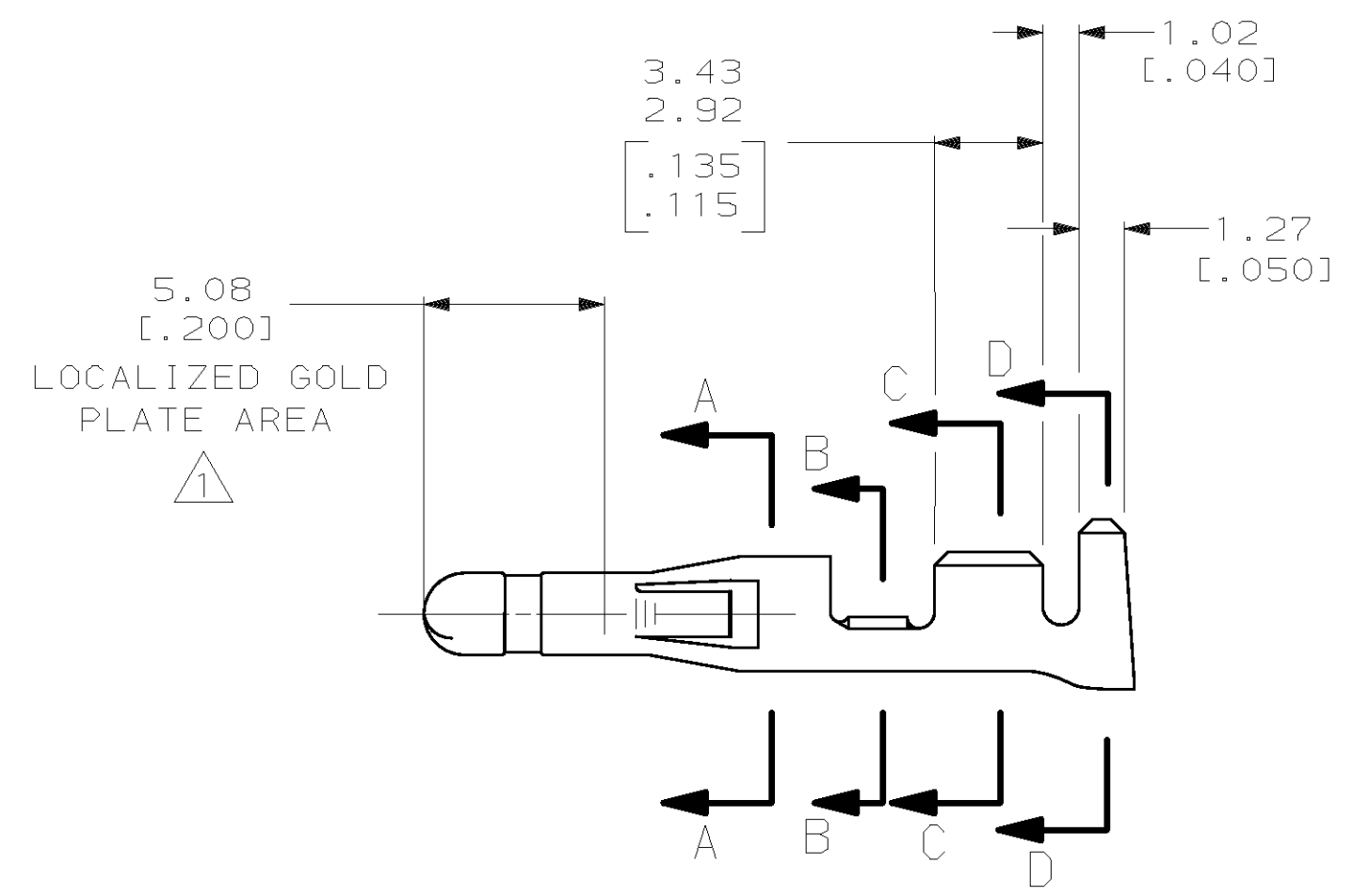
- 1 0.00076 [.000030] MIN GOLD IN LOCALIZED GOLD PLATE AREA OVER 0.00127 [.000050] MIN NICKEL.
- 2 WIRE RANGE: 0.5-2mm² (20-14 AWG).
- 3 INSULATION RANGE: 3.56 [.140] MAX. DIA.
- 4 DIMENSIONS IN BRACKETS ARE IN INCHES.



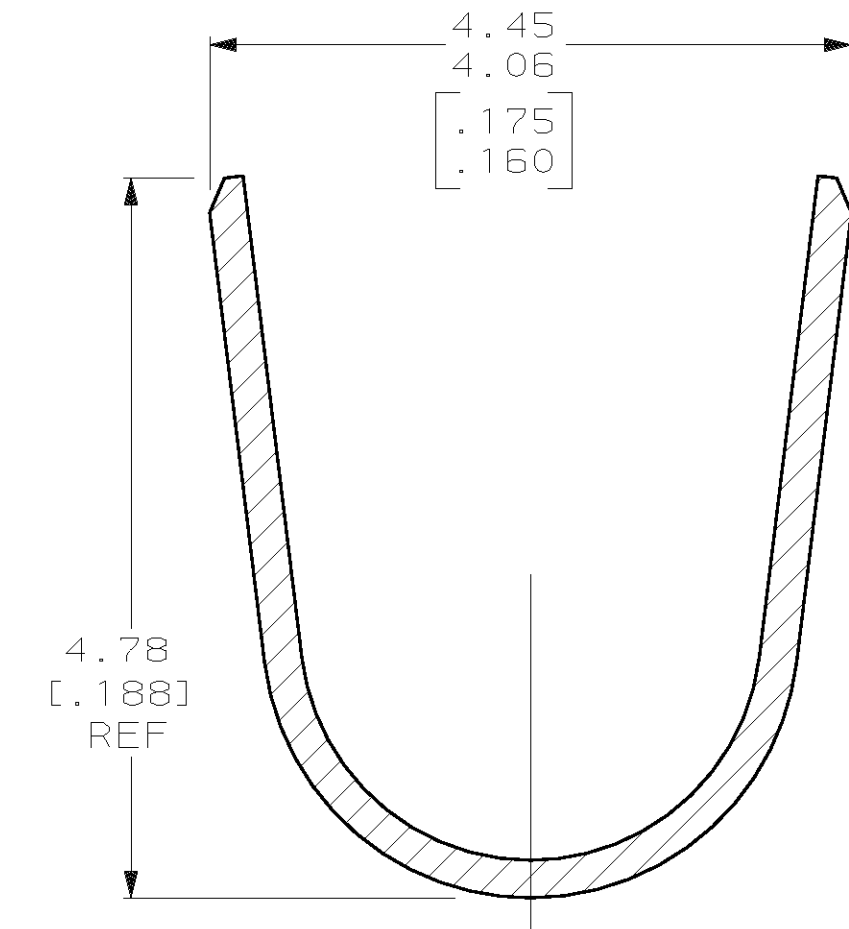
SECTION A-A
SCALE 10:1



SECTION B-B
SCALE 10:1



SECTION C-C
SCALE 10:1



SECTION D-D
SCALE 10:1

METRIC

FINISH	MATERIAL	PART NO
PRE-TIN	0.25 [.010] BRASS	770145-5
	0.25 [.010] BRASS	770145-1

DO NOT SCALE PRINT. UNLESS SPECIFIED DIMENSIONS IN mm [INCHES] TOLERANCES ON: 2 PLC DEC ± 0.13 [.005] 3 PLC DEC ± - ANGLES ± -	DR 11-2-93 R. VESTAL CHK 11-2-93 R. SWING APPD 11-2-93 C. CASH APPD 11-2-93 C. CASH
MATERIAL SEE TABLE	PRODUCT SPEC -
FINISH SEE TABLE	APPLICATION SPEC -
WEIGHT	-

AMP AMP INCORPORATED Harrisburg, Pa. 17105	
NAME PIN, .093, LOOSE PIECE, COMMERCIAL PIN AND SOCKET	
SIZE D 00779	FSCM NO DRAWING NO 770145
SCALE 5:1	SHEET 1 OF 1

Mouser Electronics

Authorized Distributor

Click to View Pricing, Inventory, Delivery & Lifecycle Information:

[TE Connectivity:](#)

[770145-5](#)