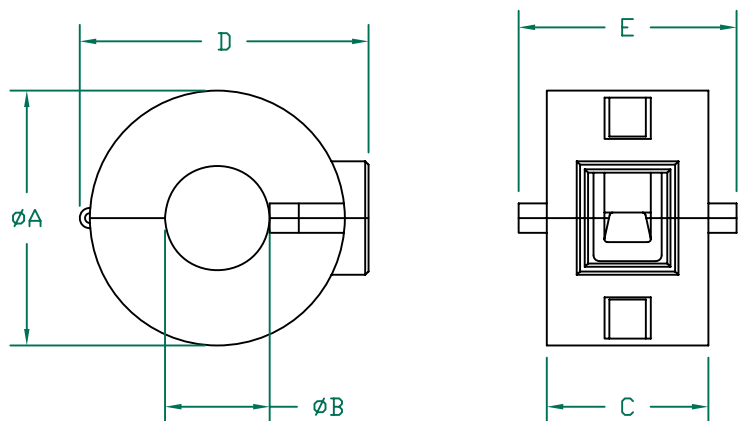
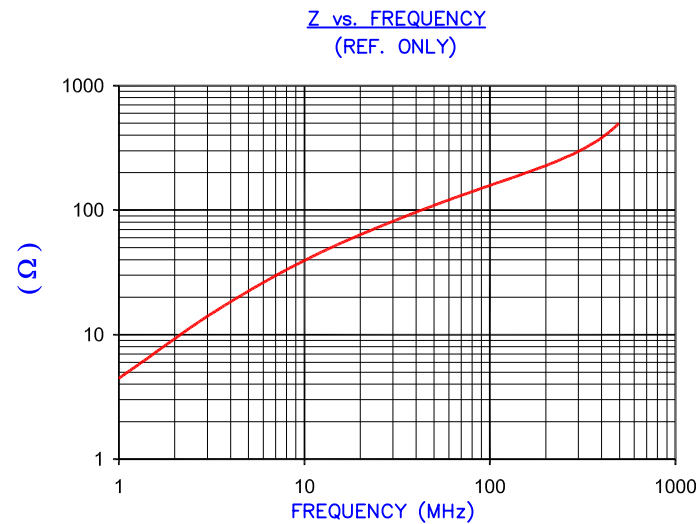


FERRITE CORE DIMENSIONS (SPEC): mm [in]

A	16.30 [.642]	±	0.33 [.013]
B	8.15 [.321]	±	0.13 [.005]
C	16.00 [.630]	±	0.25 [.010]
D	8.15 [.321]	±	0.20 [.008]

UNCONTROLLED DOCUMENT

IMPEDANCE (Z)			
Frequency	25 MHz	100 MHz	300 MHz
Nominal (REF)	62 Ω	160 Ω	300 Ω
Minimum	- Ω	128 Ω	- Ω



AGILENT E4991A Impedance/Material Analyzer
HP 16092A-Test Fixture REF 3216

NOTES:

1. ASSEMBLED PART #: 28A2432-0A2.
2. CASE COLOR: BLACK-0A2.
3. CASE FLAMMABILITY RATING: UL94 V-2.
4. CASE MATERIAL: Halogen Free Nylon

CASE DIMENSIONS (SPEC): mm [in]

A	19.20 [.756]	±	0.30 [.012]
B	8.20 [.323]	±	0.20 [.008]
C	19.90 [.783]	±	0.30 [.012]
D	23.10 [.909]	±	0.38 [.015]
E	26.10 [1.028]	±	0.38 [.015]

DIMENSIONS ARE IN mm [INCHES].				This print is the property of Laird Tech. and is loaned in confidence subject to return upon request and with the understanding that no copies shall be made without the written consent of Laird Tech. All rights to design or invention are reserved.			
K	UPDATED NOTE 3	09/15/10	JUN				
J	UPDATE COMPANY LOGO ADD NOTES 3 & 4	01/27/09	JRK				
H	CHANGE CORE "D" DIM TOLERANCE TO 0.20 [.008] REMOVE NOTES #1 & #3	10/31/07	TMB				
G	UPDATE COMPANY LOGO UPDATE MIN Z SPEC	07/03/07	JRK				
F	RE-ACTIVATE PRINT, ADD REF # REM CASE P/N NOTE, UPDATE Z	7/21/04	JRK				
E	CHANGE P/N FROM -0A* TO -0A2 REVISE NOTES 2, 4, & 5	08/15/03	TMB	PROJECT/PART NUMBER: 28A2432-0A2	REV K	PART TYPE: FERRITE SNAP-ON	DRAWN BY: TMB
D	REVISE PRINT FORMAT UPDATE Z SPECS	03/18/03	TMB	DATE: 06/28/01	SCALE: NTS	MATERIAL: NiZn Ferrite	
REV	DESCRIPTION	DATE	INT	CAD # 28A2432-0A2-K	TOOL # -		

Mouser Electronics

Authorized Distributor

Click to View Pricing, Inventory, Delivery & Lifecycle Information:

Laird:

[28A2432-0A2](#)