

5

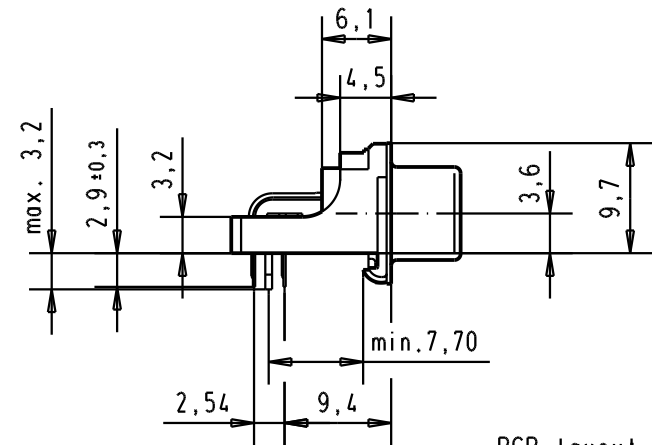
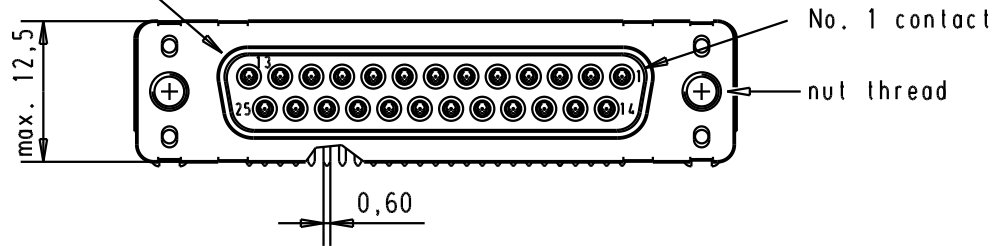
4

3

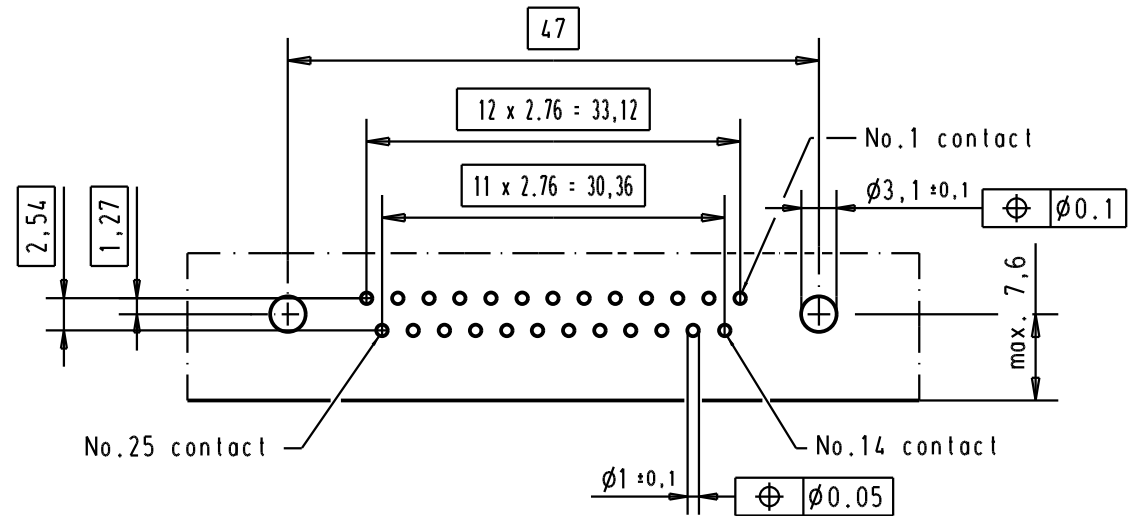
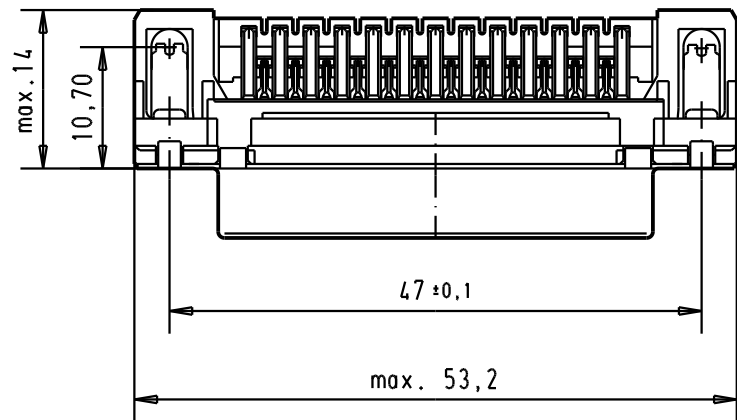
2

1

Mating face according to : MIL-C-24308 / DIN 41652 / CECC 75301-802

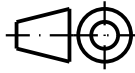



PCB layout hole component side



Connector retention and insertion forces on the PCB = 25 / 80 newtons

A

09 66 352 3615	M 3	1					Dat.	Name	 All Dim. in mm Orig. Size DIN A 4	D-Sub 25 poles low profil angle female, solder pin with nut and grounding board lock.	Maßstab/ Scale 1.5:1
09 66 352 6615	M 3	2	31892	05/05/04	JH	Detail.	02/sept/00	jfb			
09 66 352 7615	M 3	3	31084	04/SEP/02	YT	Insp.					
09 66 352 3616	4-40 UNC	1	27961	24/nov/00	jfb	Stand.					
09 66 352 6616	4-40 UNC	2	27952	02/oct/00	jfb	HARTING EURL F-95972 Paris				TB 0966352x61x	Blatt/ Page 2 / 5
09 66 352 7616	4-40 UNC	3	27948	02/sept/00	jfb						
Part number	Screw lock thread	Performance level	Mod.	Dat.	Name				Sub.		

Mouser Electronics

Authorized Distributor

Click to View Pricing, Inventory, Delivery & Lifecycle Information:

[HARTING:](#)

[09663527615](#) [09663526616](#) [09663526615](#) [09663527616](#)