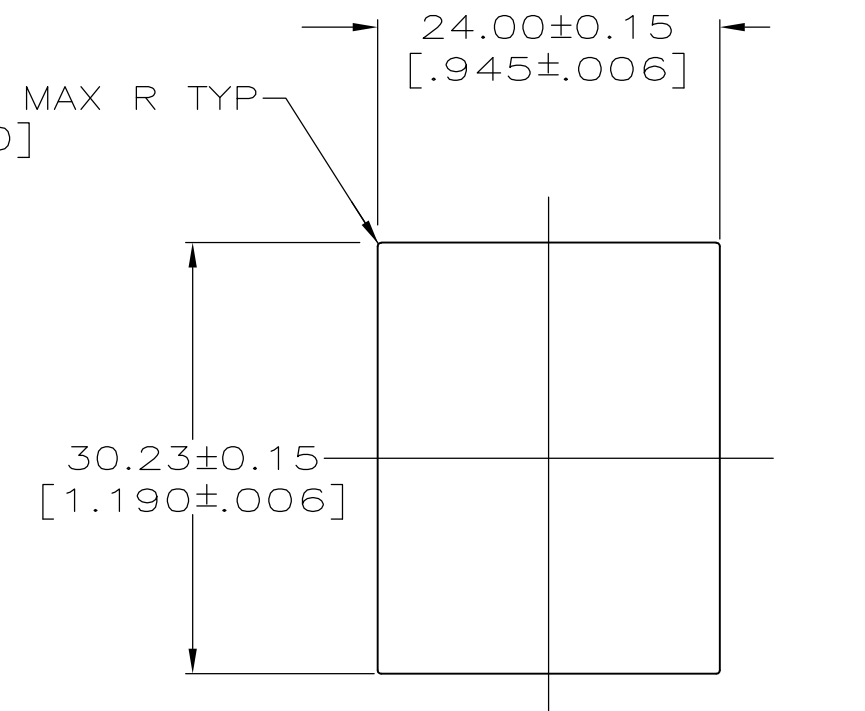
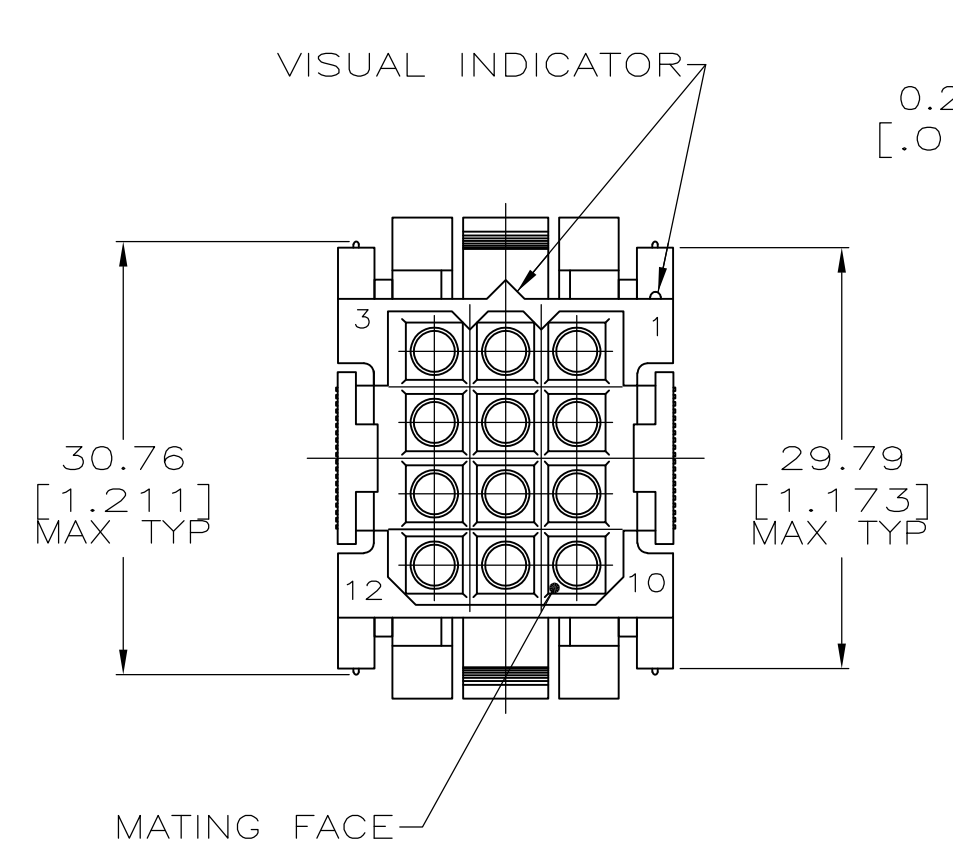
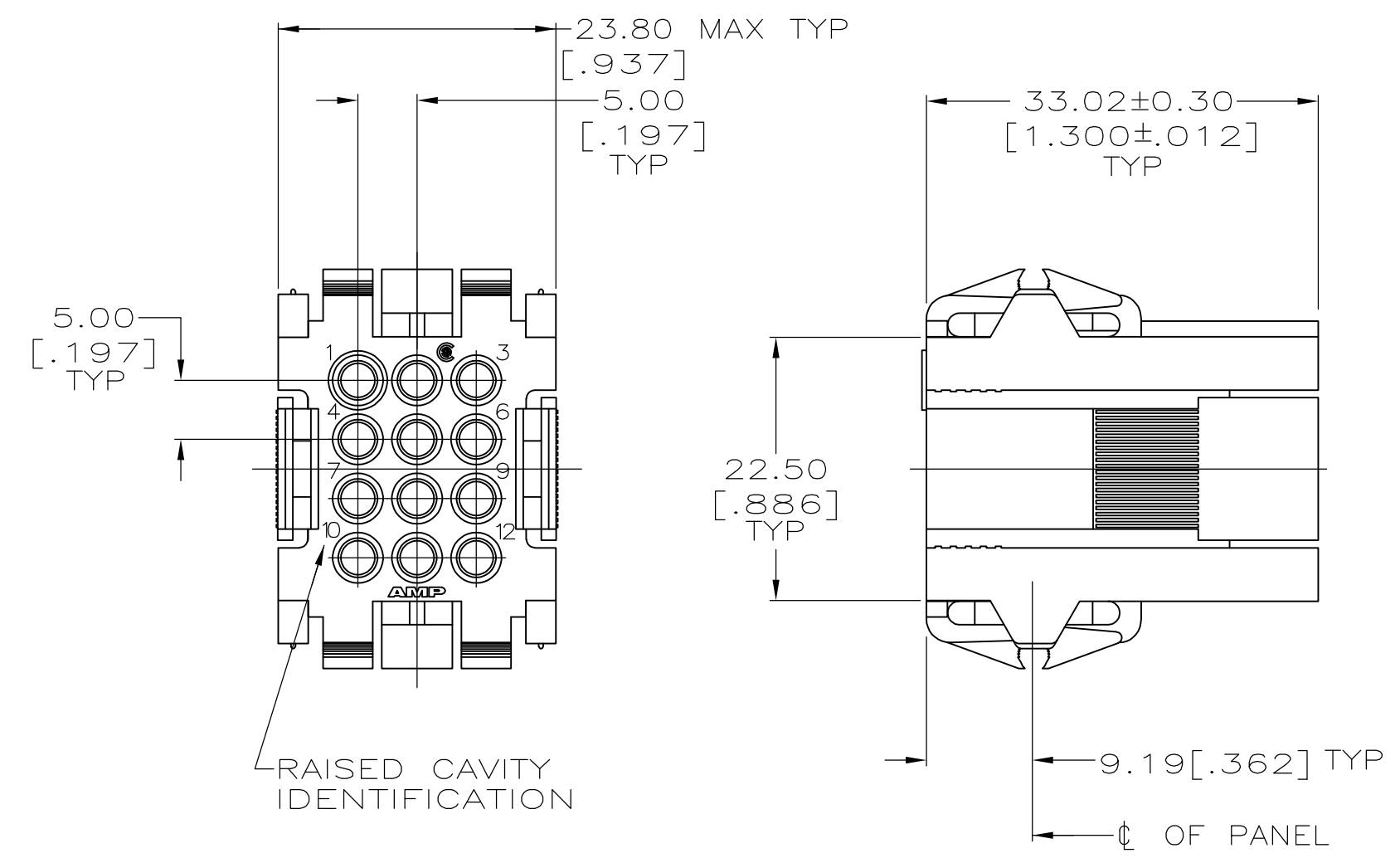


LOC	DIST	REVISIONS			
P	LTR	DESCRIPTION	DATE	OWN	APVD
FT	13	P1	REVISED PER ECO-11-005027	11MAR11	RK HMR



PANEL CUTOUT

- 1 PANEL RETENTION MECHANISM ACCOMMODATES PANEL THICKNESSES FROM 0.76[.030] TO 2.29[.090].
- 2 SAME AS 207018-1 EXCEPT: ROUNDED EDGES ON THE OUTSIDE OF THE HOUSING AND A 45° ANGLE ON THE OUTSIDE OF THE HOUSING BY THE LOCKING LATCHES, REF 927675.

△ SUPERSEDED BY 207018-1	207018-2
	207018-1
	PART NO

THIS DRAWING IS A CONTROLLED DOCUMENT.		DWN W.LENKER 08/26/92	STE TE Connectivity	
DIMENSIONS: mm[INCHES]		CHK R.STONE 8-31-92		
TOLERANCES UNLESS OTHERWISE SPECIFIED:		APVD -	NAME	
0 PLC ± -		PRODUCT SPEC		
1 PLC ± -		108-10033		
2 PLC ± 0.25 [.010]		APPLICATION SPEC		
3 PLC ± -		SIZE CAGE CODE DRAWING NO RESTRICTED TO		
4 PLC ± -		A2 00779 G-207018		
ANGLES ± ± -		WEIGHT -		
FINISH -		CUSTOMER DRAWING SCALE 2:1 SHEET 1 OF 1 REV P1		
MATERIAL NYLON, COLOR: RED				

Mouser Electronics

Authorized Distributor

Click to View Pricing, Inventory, Delivery & Lifecycle Information:

[TE Connectivity:](#)

[207018-1](#)