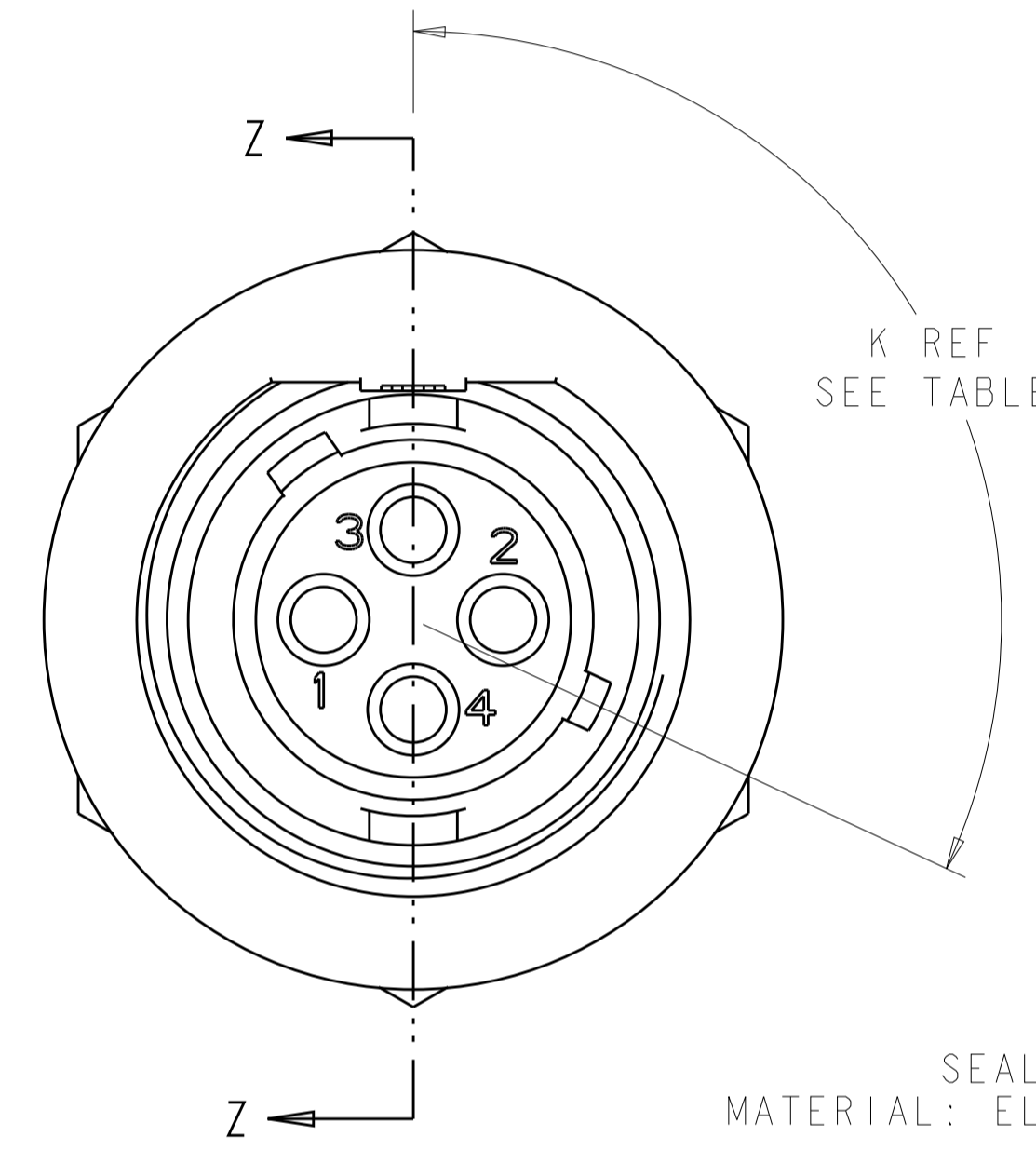
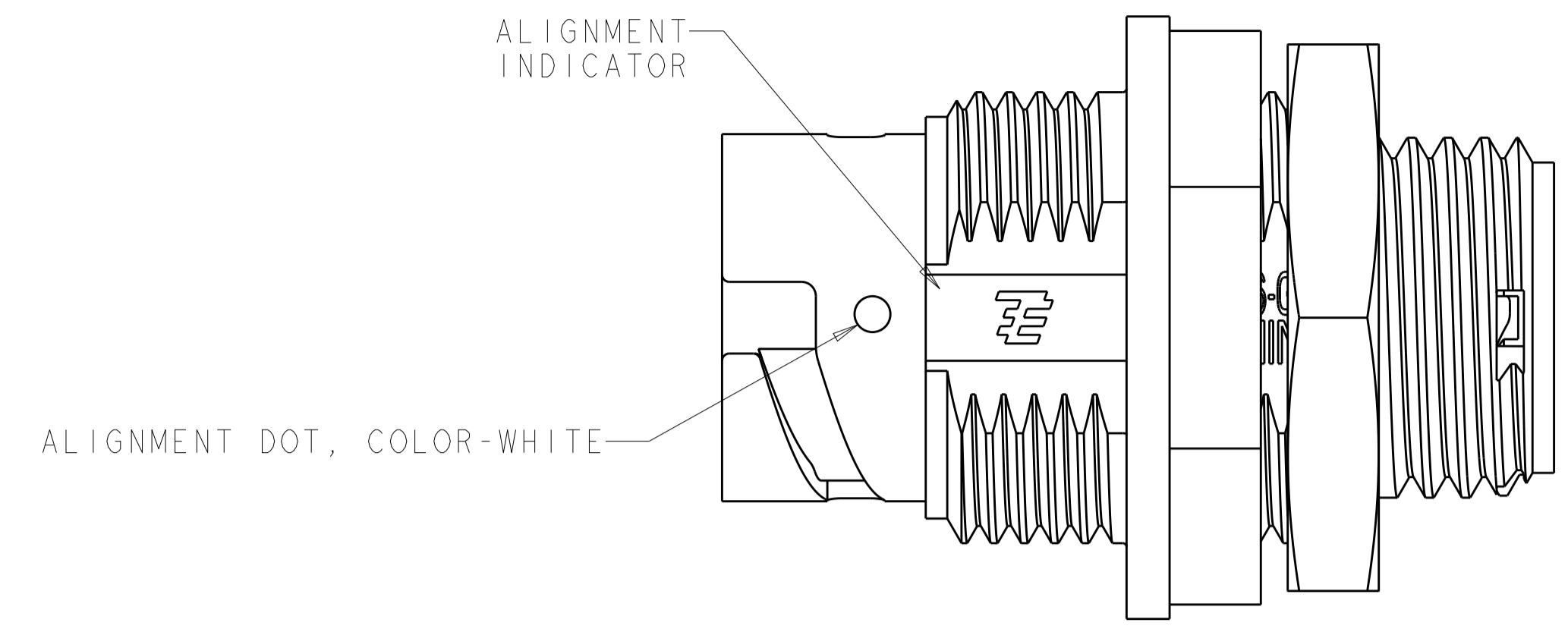
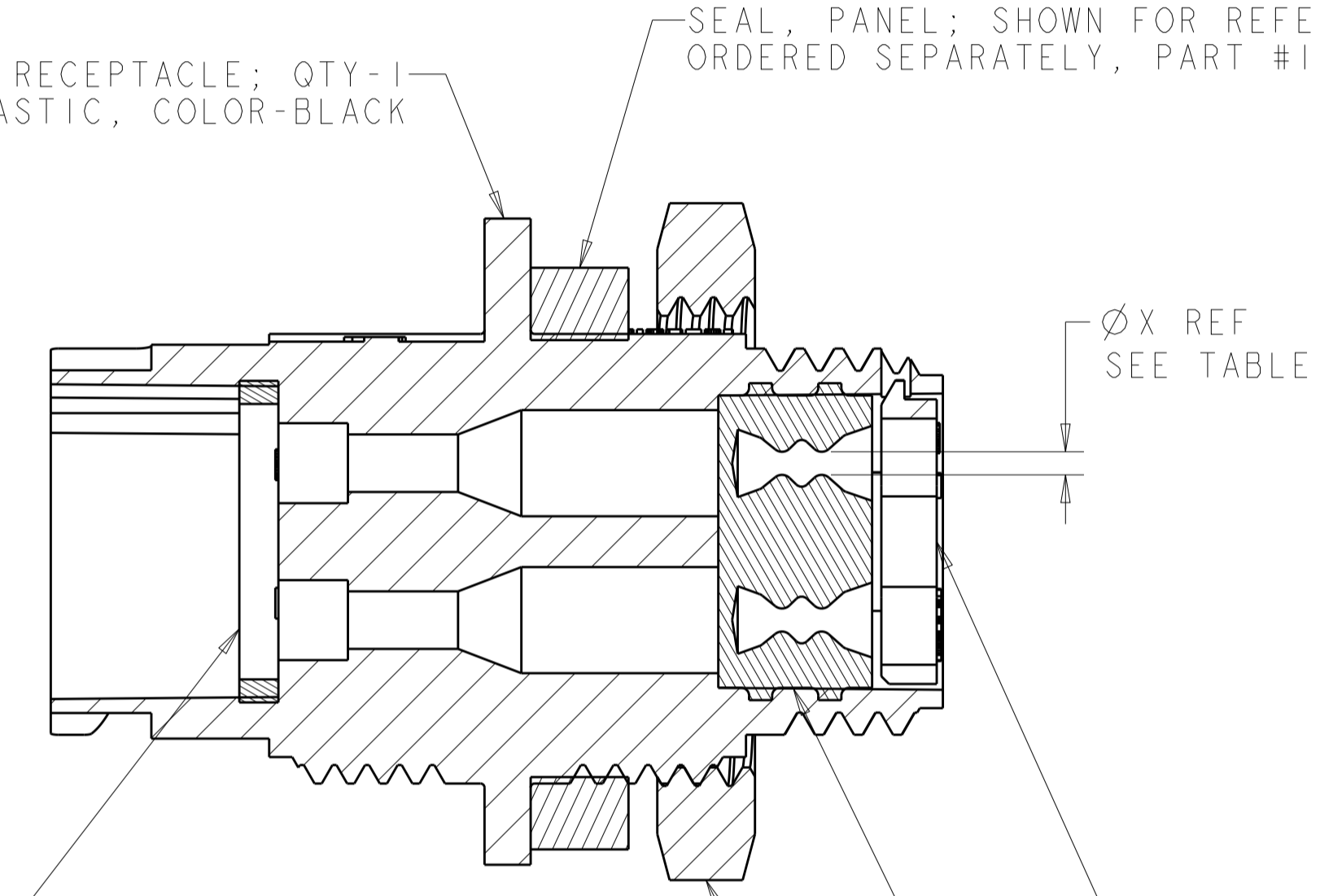


| LOC | | DIST | | REVISIONS | | | |
|-----|---|------|-----|---------------------------|-----------|-----|------|
| FT | 0 | P | LTN | DESCRIPTION | DATE | DWN | APVD |
| | | B3 | | REVISED PER ECO-15-010004 | 13JUL2015 | NK | MZ |
| | | C | | REVISED PER ECO-17-004650 | 06APR2017 | BDA | MZ |



HOUSING, RECEPTACLE; QTY-1
 MATERIAL: THERMOPLASTIC, COLOR-BLACK

SEAL, PANEL; SHOWN FOR REFERENCE ONLY, TO BE ORDERED SEPARATELY, PART #1445420-01

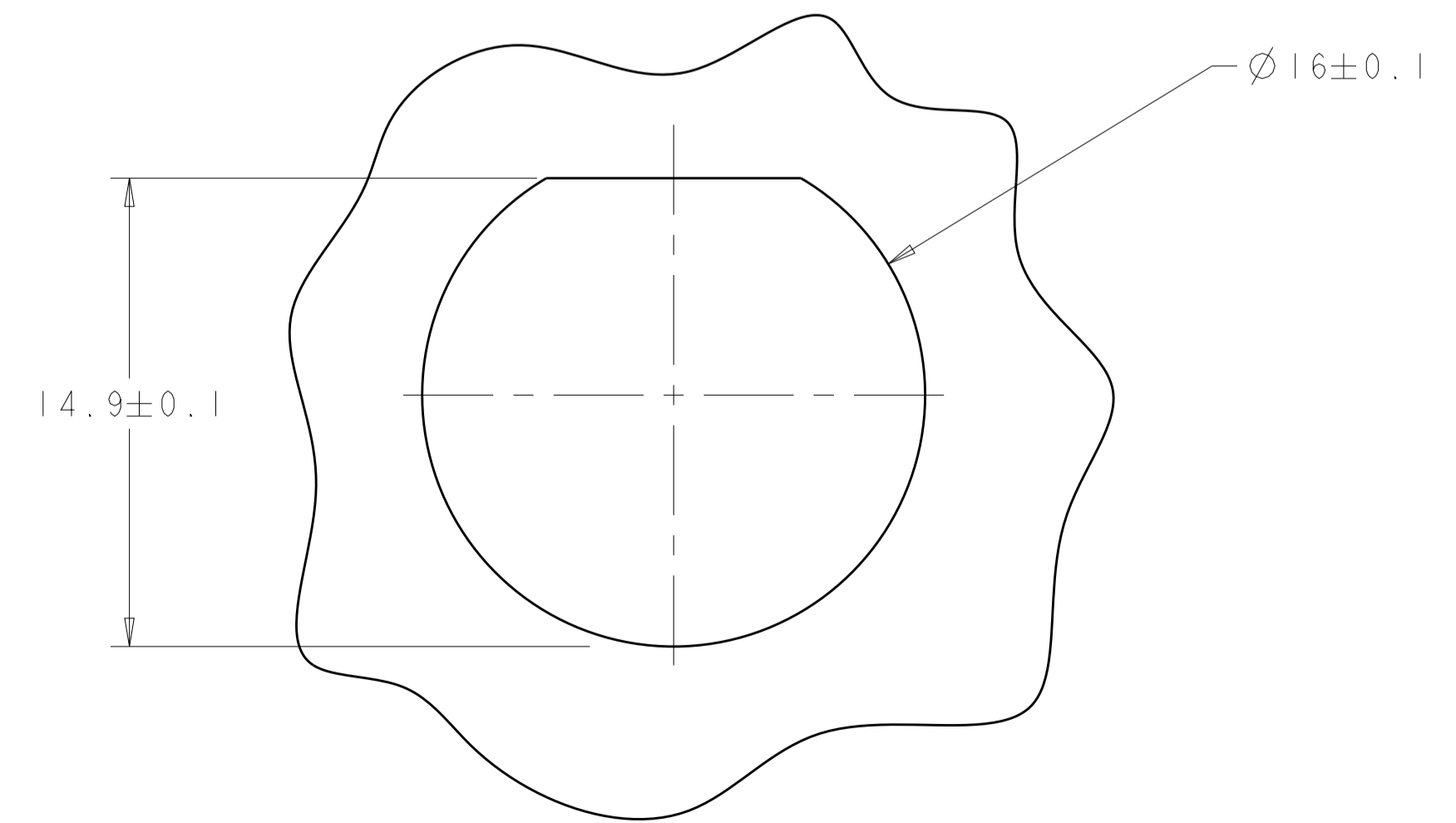
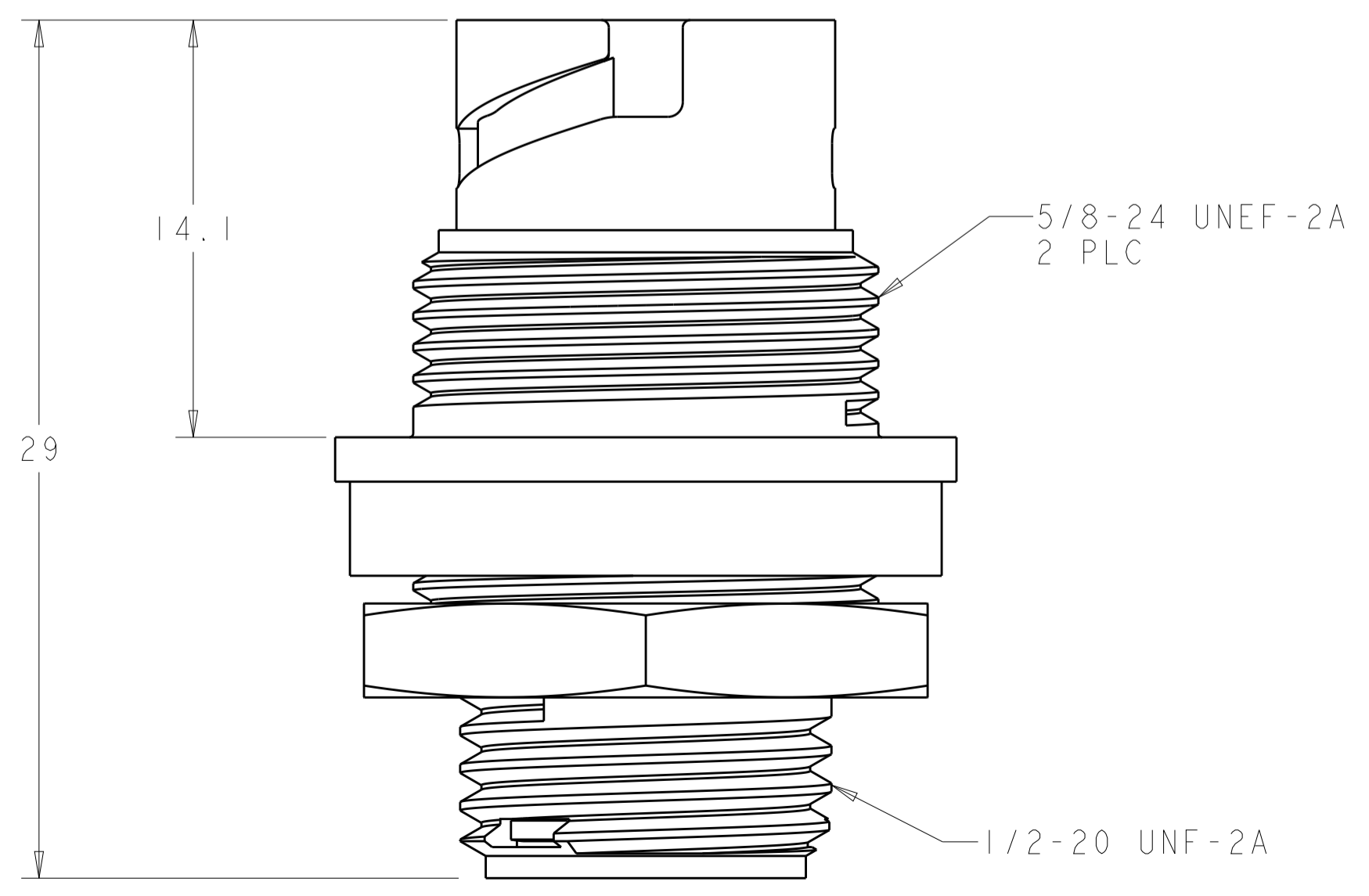
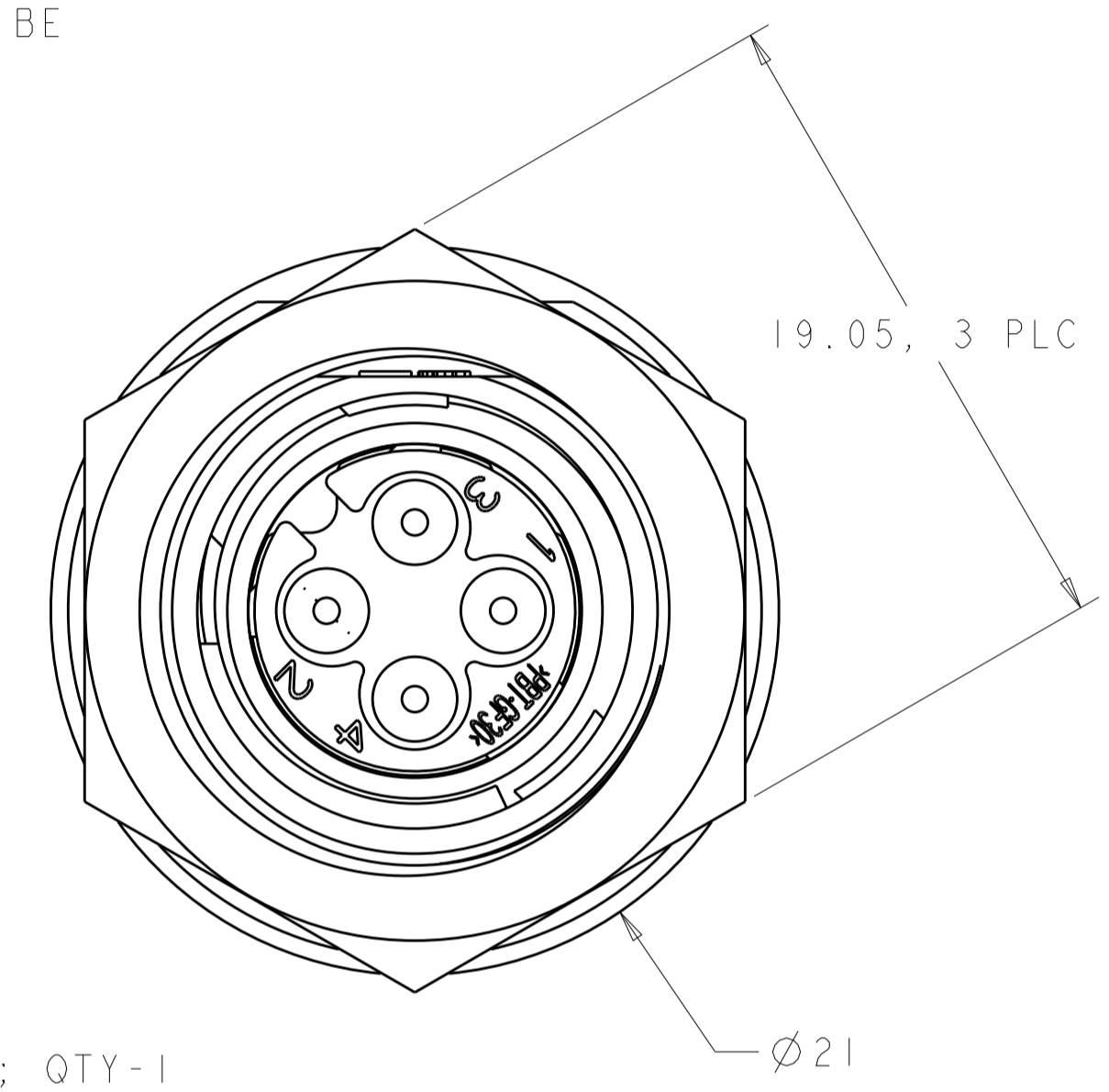


SEAL, PERIPHERAL; QTY-1
 MATERIAL: ELASTOMER, COLOR-GRAY

PLATE, SEAL RETENTION; QTY-1
 MATERIAL: THERMOPLASTIC, COLOR-BLACK

SEAL, WIRE ENTRY; QTY-1
 MATERIAL: ELASTOMER, COLOR-SEE TABLE

NUT, JAM; SHOWN FOR REFERENCE ONLY, TO BE ORDERED SEPARATELY, PART # 1604196-1



SUGGESTED PANEL CUTOUT Δ

1. CONNECTOR CAN BE FRONT OR REAR PANEL MOUNTED.
 Δ MAX PANEL THICKNESS - 3.18.

| | | | | |
|----------|------------------------|--------|-------|-------------|
| OBSOLETE | YELLOW | Ø0.75 | 130° | 1445421-04 |
| | NATURAL | Ø1.5 | 115° | 1445421-03 |
| OBSOLETE | NATURAL | Ø1.5 | 130° | 1445421-02 |
| | YELLOW | Ø0.75 | 115° | 1445421-01 |
| | SEAL, WIRE ENTRY COLOR | ØX REF | K REF | PART NUMBER |

THIS DRAWING IS A CONTROLLED DOCUMENT.

DIMENSIONS: mm

TOLERANCES UNLESS OTHERWISE SPECIFIED:

| | |
|--------|-------|
| 0 PLC | ± |
| 1 PLC | ±0.13 |
| 2 PLC | ± |
| 3 PLC | ± |
| 4 PLC | ± |
| ANGLES | ± |
| FINISH | - |

MATERIAL SEE CALLOUT

APVD: G. DOUTY 07MAR2001, H. WAKEEM 12JUN2003

CHK: H. WAKEEM 12JUN2003

NAME: ASSEMBLY, RECEPTACLE, SIZE 8, 4 POSITION, PANEL MOUNT, MINI CPC

SIZE: A1, CAGE CODE: 100779, DRAWING NO: 1445421

RESTRICTED TO: -

CUSTOMER DRAWING

SCALE: 5:1, SHEET: 1 OF 1, REV: C

STE TE Connectivity

Mouser Electronics

Authorized Distributor

Click to View Pricing, Inventory, Delivery & Lifecycle Information:

[TE Connectivity:](#)

[1445421-3](#)