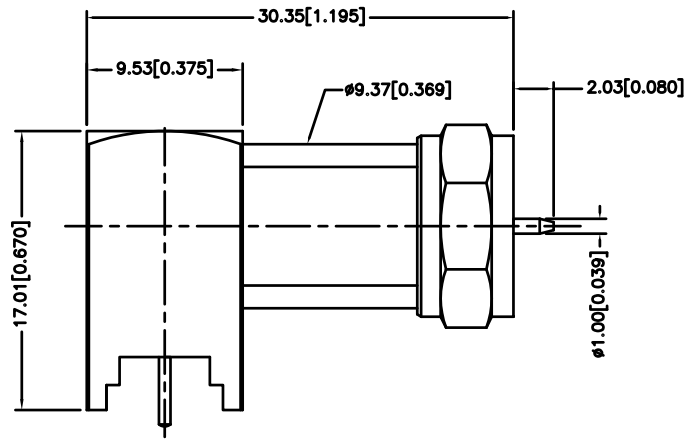
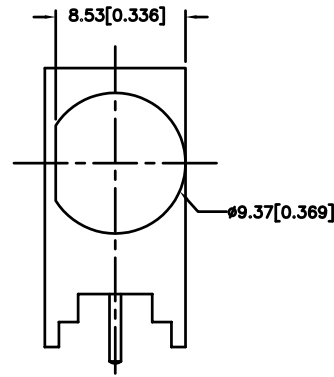


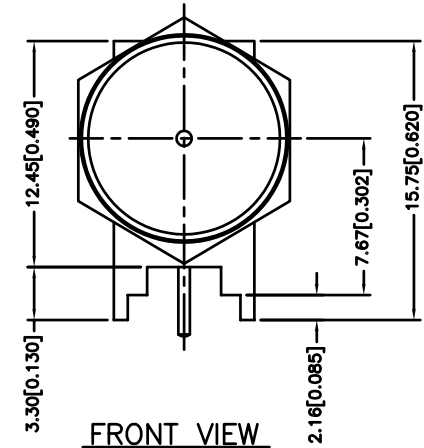
REV.	DATE	ECR NO	DESCRIPTION
A	09/15/10	--	RELEASE TO MFG.
B	11/22/10	2124	PLASTIC PLATE REMOVED



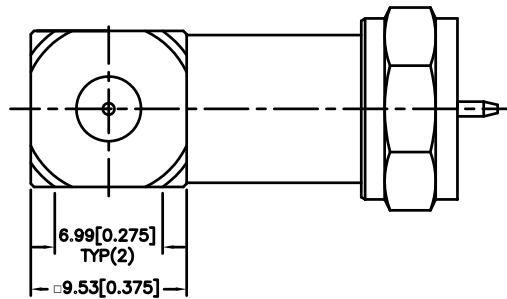
SIDE VIEW



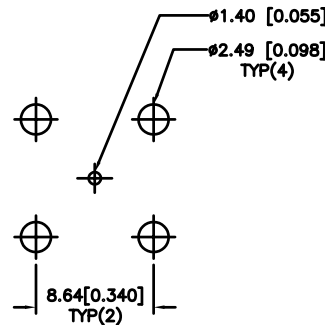
NECK VIEW



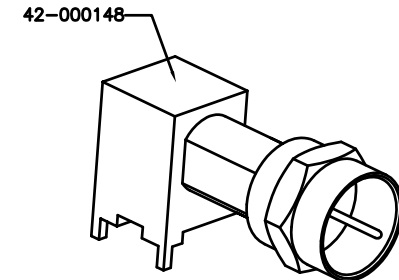
FRONT VIEW



BOTTOM VIEW



RECOMMENDED HOLE PATTERN



ISO VIEW

NOTES: FINISH (PLATING THICKNESS IN MICRO-INCHES)

				UNLESS OTHERWISE SPECIFIED DIMENSIONS ARE IN MILLIMETERS. DIMENSIONS IN [] ARE IN INCHES AND FOR CUSTOMER REFERENCE ONLY.	APPROVALS	DATE	Amphenol Connex					
4	CONTACT PIN	BRASS	BRIGHT TIN	1	DRAWN	CLEMENT	07/23/10	PART DESCRIPTION F R/A PCB RECEPTACLE PLUG				
3	INSULATOR	DELTRIN	NATURAL	2	CHECKED							
2	COUPLING NUT	ZINK	NICKEL	1	ISSUED							
1	BODY	BRASS	NICKEL	1	SHEET	1 OF 1		PART NO. 222213				
DESCRIPTION				MATERIAL	FINISH	QTY	CAD FILE C:/222/222213.DWG		DWG. NO. 222213.DWG	REV. B	SIZE A	SCALE NA

UNLESS OTHERWISE SPECIFIED DIMENSIONS ARE IN MILLIMETERS. DIMENSIONS IN [] ARE IN INCHES AND FOR CUSTOMER REFERENCE ONLY.

UNLESS OTHERWISE SPECIFIED TOLERANCES FOR MILLIMETERS ARE:
0.5 - 8mm ± 0.20mm
8 - 30mm ± 0.40mm
30 - 120mm ± 0.50mm

UNLESS OTHERWISE SPECIFIED TOLERANCES FOR INCHES ARE:
.020 - .315 = ± 0.007"
.315 - 1.180 = ± 0.015"
1.180 - 4.724 = ± 0.020"

DO NOT SCALE DRAWING

Mouser Electronics

Authorized Distributor

Click to View Pricing, Inventory, Delivery & Lifecycle Information:

[Amphenol:](#)

[222213](#)