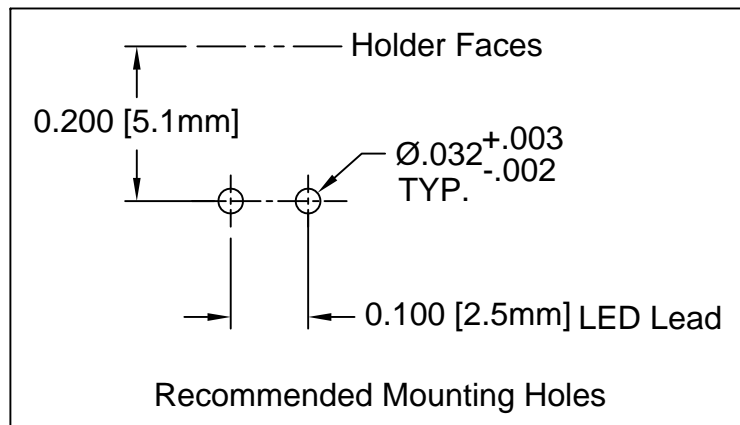
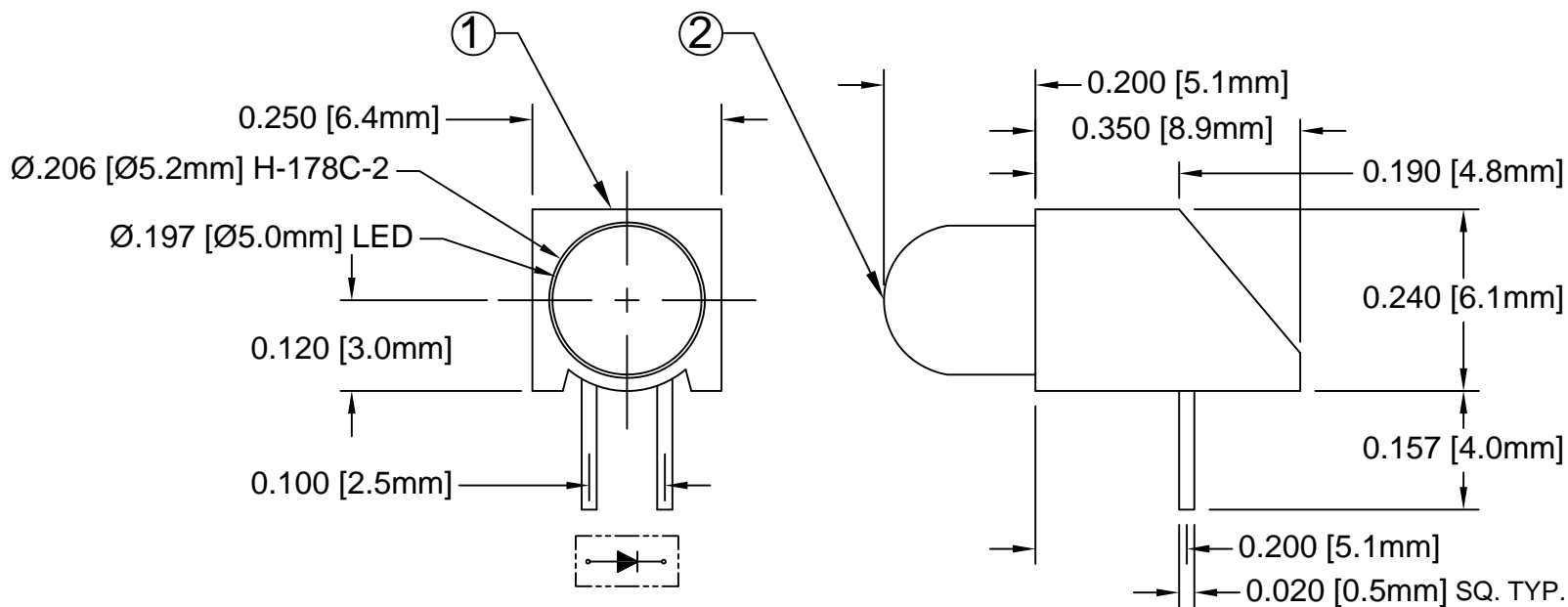


ITEM	Q'TY	PART NUMBER	PART DESCRIPTION
1	1	H-178C-2	T-1¼ (5mm) LED Holder, 90° Mount
2	1	5XX	T-1¼ (5mm) Non-Flange LED, See Page 2

REV.	DESCRIPTION	DATE	APPROVED
D	Updated LED Protrusion from .215 to .200	01/09/07	M. C.
E	Corrected Typo	02/13/07	M. C.
F	Updated Specs, Page 2	02/10/09	T. Y.
G	Added 5UUYC LED	03/25/10	T. Y.
H	Engineering Update w/o Changes	06/20/16	J. C.




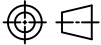
### ABSOLUTE MAXIMUM RATINGS (Ta=25° C)

REVERSE VOLTAGE	_____	5V
REVERSE CURRENT	_____	100uA
OPERATING TEMPERATURE RANGE	_____	-25° C - 85° C
STORAGE TEMPERATURE	_____	-30° C - 100° C
LEAD SOLDERING TEMPERATURE (1/16" FROM BODY)	_____	260° C FOR 5 SECONDS

STANDARD TOLERANCE (UNLESS OTHERWISE SPECIFIED)		 4 THOMAS, IRVINE, CA. 92618 TEL: (949) 951-8808 FAX: (949) 951-3974	
DECIMALS	ANGULAR		
.X ± .1	X° ± 1°		
.XX ± .02		 <b>TITLE:</b> T-1¼ (5MM) 90° SINGLE-LEVEL LED ASSY	
.XXX ± .010			
DESIGNED: <b>T. Yin</b>	DATE: <b>03/05/04</b>	<b>PART NO:</b> H178CXX <b>CAGE CODE :</b> 32559	REVISION: <b>H</b>
CHECKED: <b>D. Green</b>	DATE: <b>03/05/04</b>		<b>SHEET # 1 OF 2</b> CAD GENERATED DOCUMENT. DO NOT MEASURE DRAWING.

REV.	DESCRIPTION	DATE	APPROVED
	SEE SHEET #1		

LED Assy. No.	Peak Wave Length $\lambda_p$ (nm)	Emitted Color	Lens Appearance	Electro-Optical Data				Viewing Angle $2\theta_{1/2}$ (Deg)	LED P/N
				If (mA)	Vf (V)		Iv (mcd)		
				TYP	TYP	MAX	TYP		
<b>STANDARD</b>				<b>Data @ 20mA</b>					
H178CBWD	430	BLUE	DIFFUSED	20	4.0	4.5	15	45	5BWD
H178CGD	568	GREEN	DIFFUSED	20	2.1	2.8	25	45	5GD
H178CSGD	568	GREEN	DIFFUSED	20	2.1	2.8	30	45	5SGD
H178CSUGC	570	GREEN	WATER CLEAR	20	2.1	2.4	400	35	5SUGC
H178CYD	590	YELLOW	DIFFUSED	20	2.0	2.8	25	45	5YD
H178CSYD	590	YELLOW	DIFFUSED	20	2.0	2.4	300	45	5SYD
H178CUUYC	590	YELLOW	WATER CLEAR	20	2.0	2.4	500	35	5UUYC
H178CAD	605	AMBER	DIFFUSED	20	2.0	2.8	25	45	5AD
H178CHD	625	HE RED	DIFFUSED	20	2.0	2.8	25	45	5HD
H178CRD	700	RED	DIFFUSED	20	2.1	2.8	2	45	5RD
H178CSRD	645	RED	DIFFUSED	20	1.7	2.4	40	45	5SRD
<b>LOW CURRENT</b>				<b>Data @ 2mA</b>					
H178CGDL	568	GREEN	DIFFUSED	2	2.1	2.6	5	45	5GDL
H178CYDL	590	YELLOW	DIFFUSED	2	2.0	2.6	4	45	5YDL
H178CHDL	625	HE RED	DIFFUSED	2	2.0	2.6	5	45	5HDL
<b>5 VOLT</b>				<b>Data @ 5V</b>					
H178CGD5V	568	GREEN	DIFFUSED	10	-	5.0	25	45	5GD5V
H178CYD5V	590	YELLOW	DIFFUSED	10	-	5.0	20	45	5YD5V
H178CHD5V	625	HE RED	DIFFUSED	10	-	5.0	50	45	5HD5V

STANDARD TOLERANCE (UNLESS OTHERWISE SPECIFIED) $\pm 10\%$ ALL VALUES    ANGULAR		 <b>BIVAR</b> <sup>®</sup> 4 THOMAS, IRVINE, CA. 92618 TEL: (949) 951-8808    FAX: (949) 951-3974	
			
DESIGNED: <b>T. Yin</b>	DATE: <b>03/05/04</b>	<b>TITLE:</b> T-1¼ (5MM) 90° SINGLE-LEVEL LED ASSY	
CHECKED: <b>D. Green</b>	DATE: <b>03/05/04</b>	<b>PART NO:</b> H178CXX    REVISION: H	
		<b>CAGE CODE :</b> 32559 <b>SHEET # 2 OF 2</b> CAD GENERATED DOCUMENT. DO NOT MEASURE DRAWING.	

# Mouser Electronics

Authorized Distributor

Click to View Pricing, Inventory, Delivery & Lifecycle Information:

[BIVAR:](#)

[H178CGD](#) [H178CRD](#) [H178CAD](#) [H178CSR](#) [H178CSYD](#) [H178CYDL](#) [H178CSGD](#) [H178CHD](#) [H178CHD5V](#)