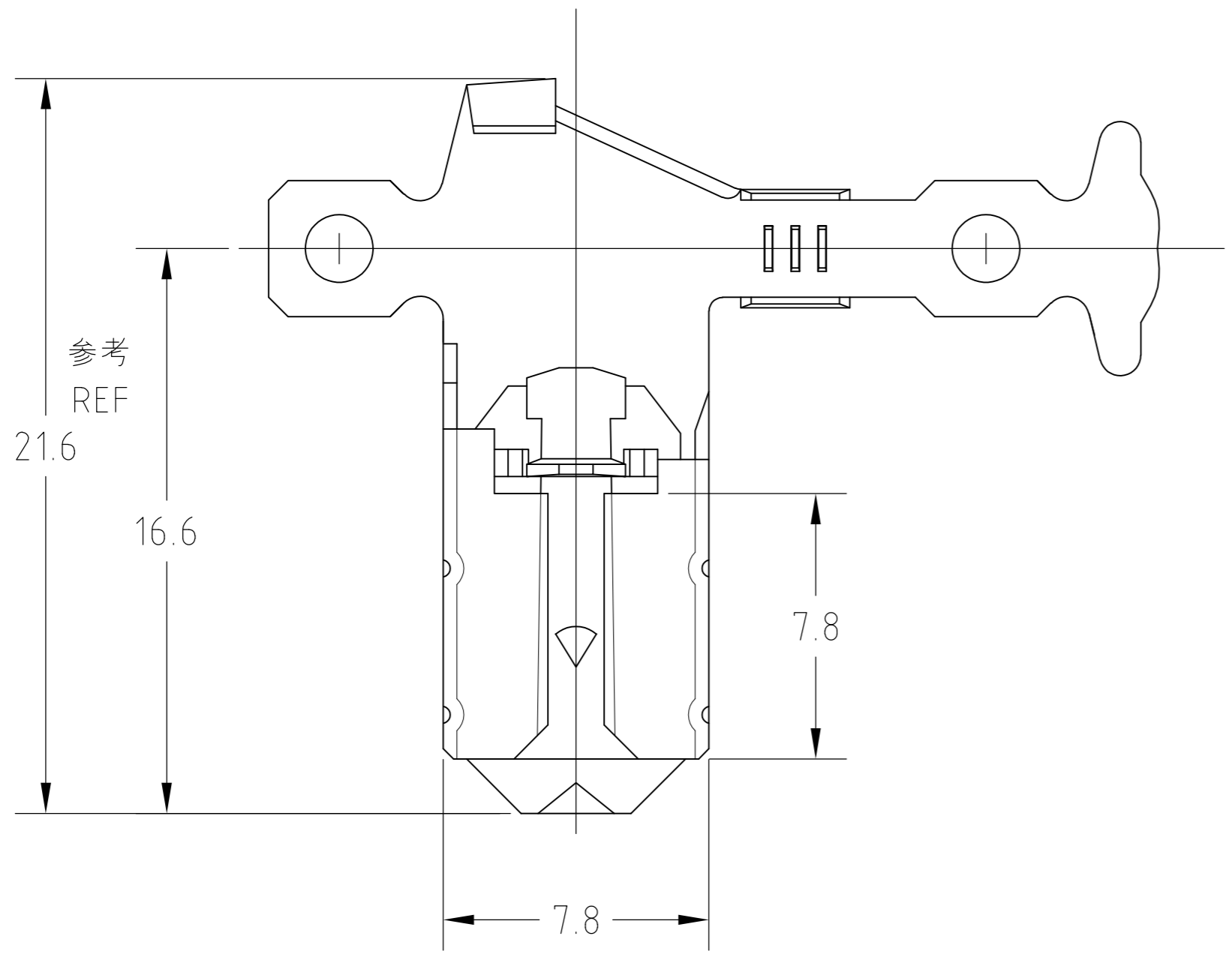


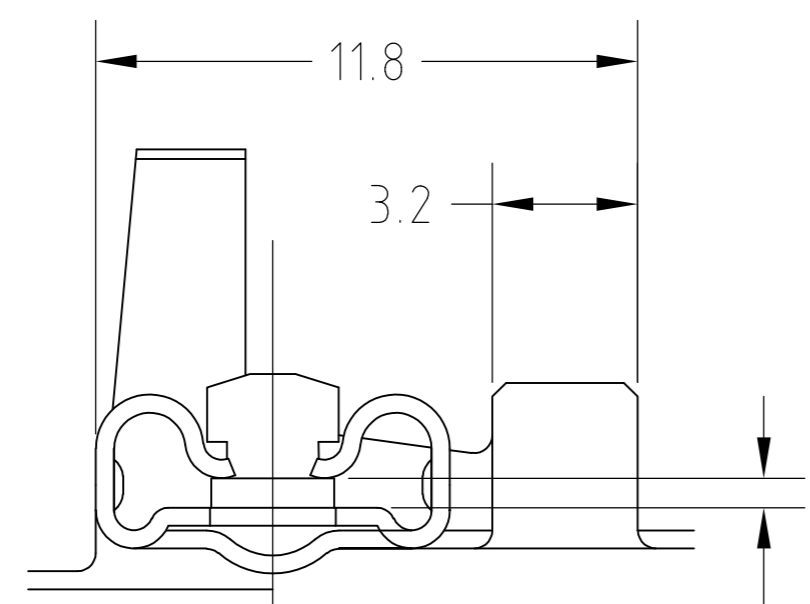
THIS DRAWING IS UNPUBLISHED. RELEASED FOR PUBLICATION  
 © COPYRIGHT - By - ALL RIGHTS RESERVED.

LOC	DIST	REVISIONS					
		P	LTR	DESCRIPTION	DATE	DWN	APVD
J	-	C1		REVISED PER ECO-11-005030	11MAR11	RK	HMR

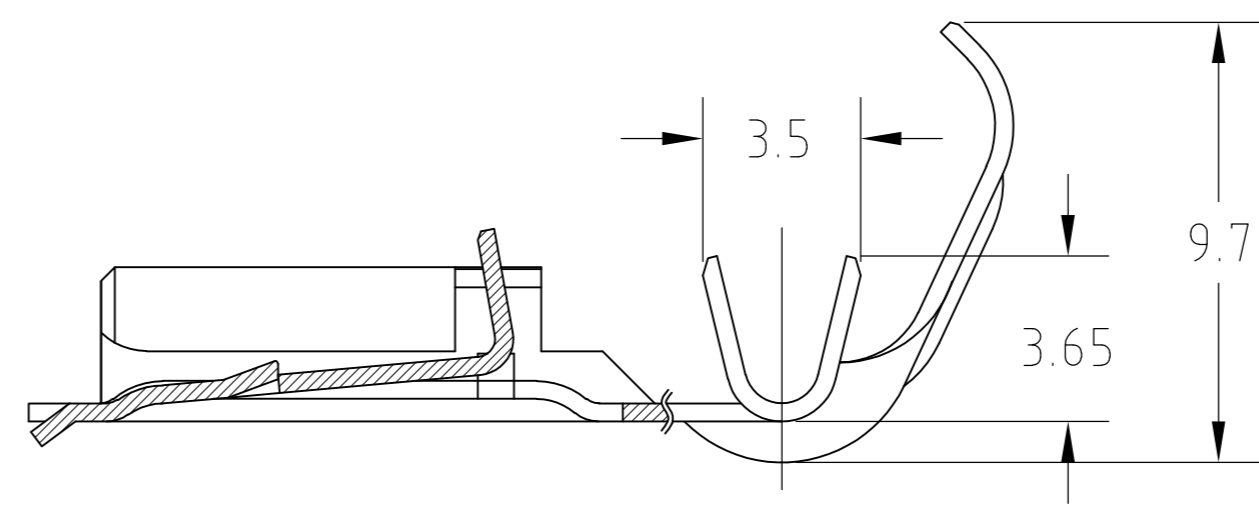


- 注：  
 1. 一般公差±0.3,±3°  
 2. 適用ハウジング型番：172469  
 3. 取扱説明書番号：15-212J

- NOTES:  
 1. GENERAL TOLERANCE±0.3,±3°  
 2. APPLICABLE HOUSING P/N: 172469  
 3. APPLICABLE INSTRUCTION SHEET: 15-212J



0.8厚タブとカン合  
 MATE WITH 0.8mm THK TAB



-	錫めっき済 銅合金 PRE-TIN COPPER ALLOY	172763-2
172764-1	錫めっき済 黄銅 PRE-TIN BRASS	172763-1
ばら状端子型番 LOOSE PIECE P/N	材 料 MATERIAL	型番 P/N

THIS DRAWING IS A CONTROLLED DOCUMENT.		DWN	J.SATO	15DEC2004		TE Connectivity				
DIMENSIONS: 単位: 純 mm		CHK	A.OISHI	15DEC.2004		NAME 名称				
TOLERANCES UNLESS OTHERWISE SPECIFIED 一般公差		APVD	N.YAMASAKI	15DEC.2004		"250" SERIES FLAG POSITIVE LOCK (MARK-II) REC.				
0 PLC ± - 1 PLC ± - 2 PLC ± - 3 PLC ± - 4 PLC ± - ANGLES ± -		PRODUCT SPEC	製品規格	108-5162		"250"シリーズ旗型ポジティブロック (マークII)リセプタクル				
MATERIAL 材料	SEE TABLE	FINISH 仕上	SEE TABLE	APPLICATION SPEC	取付適用規格	114-5070	SIZE	CAGE CODE	DRAWING NO 番号	RESTRICTED TO
		WEIGHT	1.130/EA	A2		00779	C=172763			
		CUSTOMER DRAWING		SCALE 尺度	6:1	SHEET	1 OF 1	REV	C1	

# Mouser Electronics

Authorized Distributor

Click to View Pricing, Inventory, Delivery & Lifecycle Information:

[TE Connectivity:](#)

[172763-2](#)