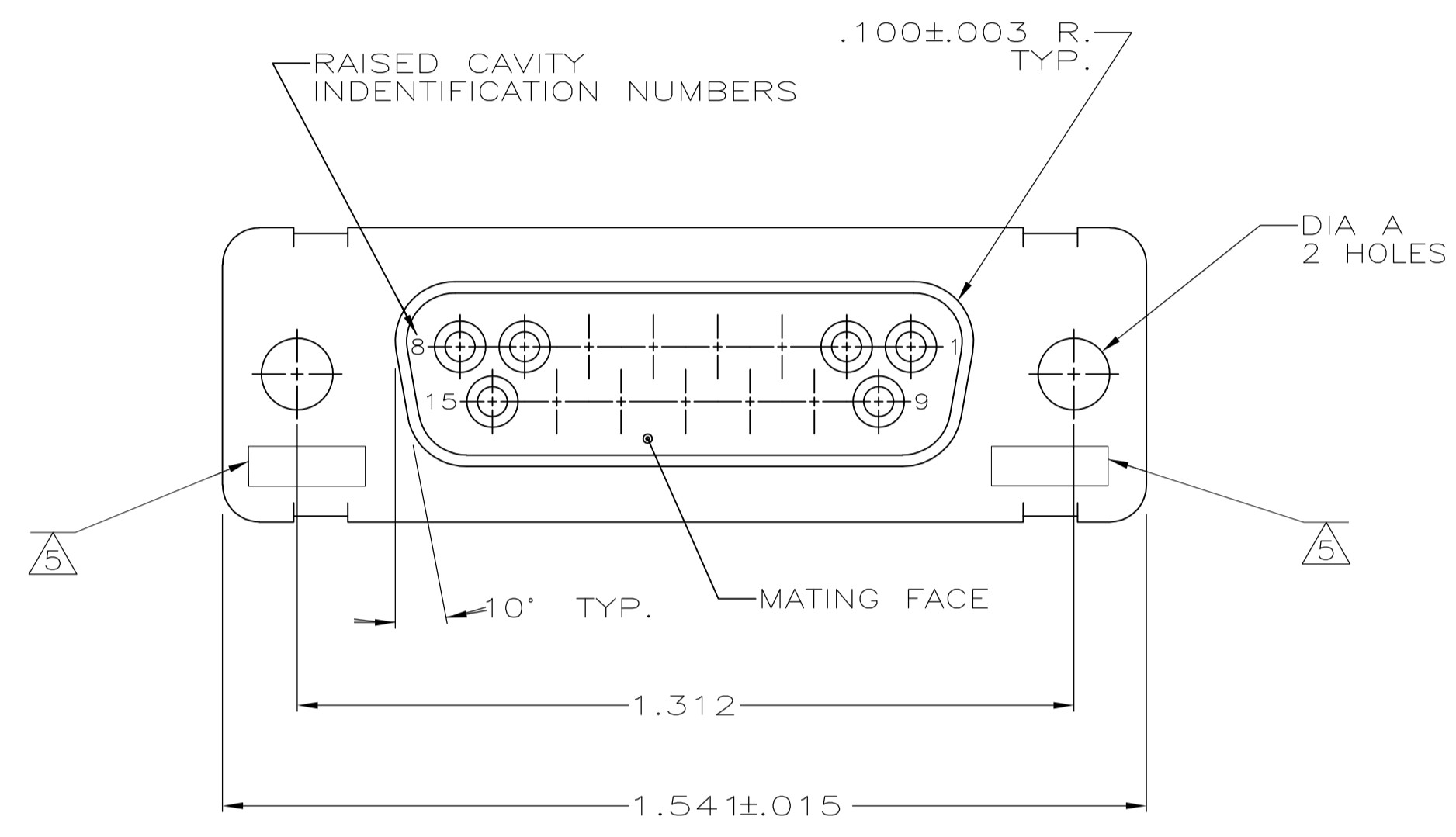
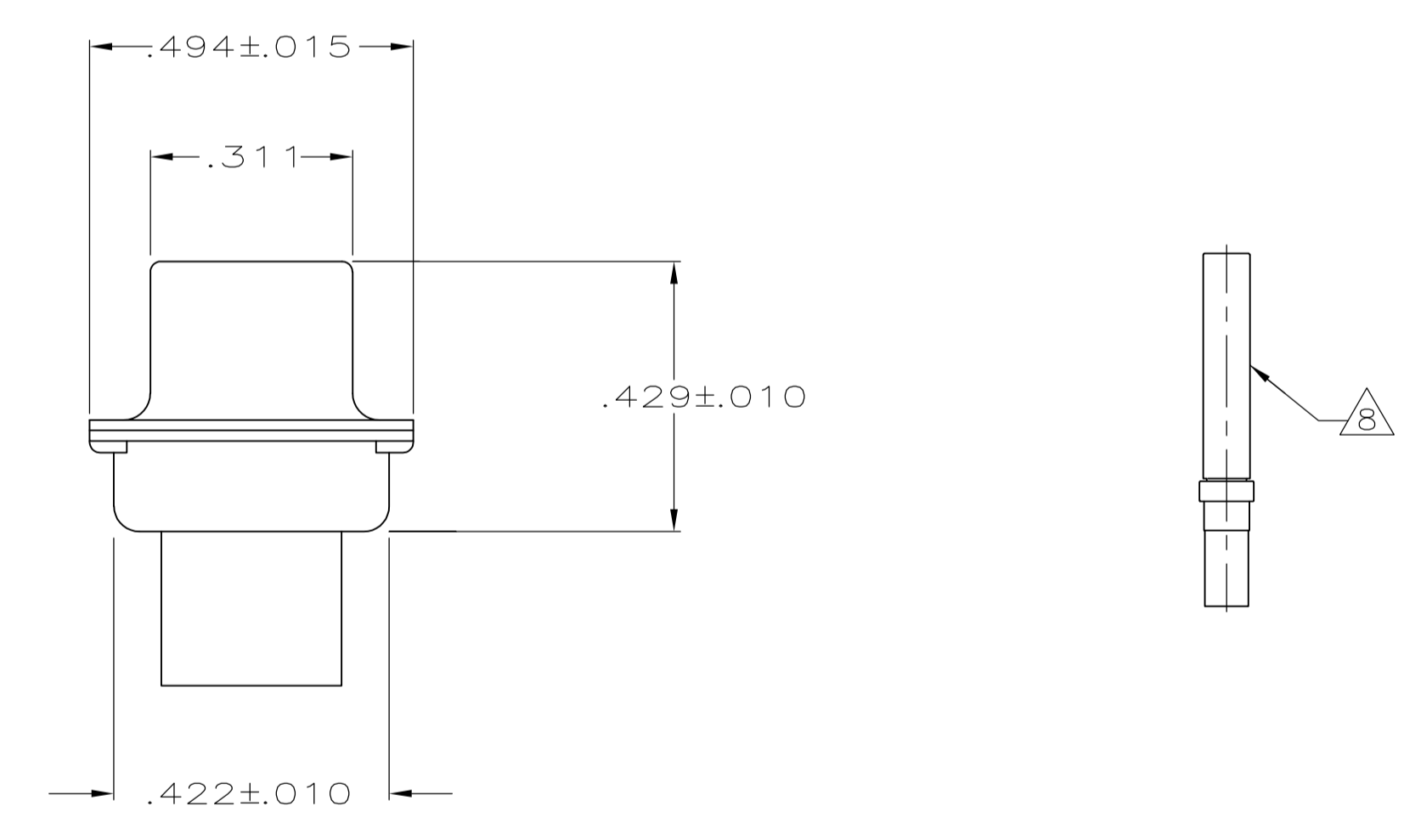
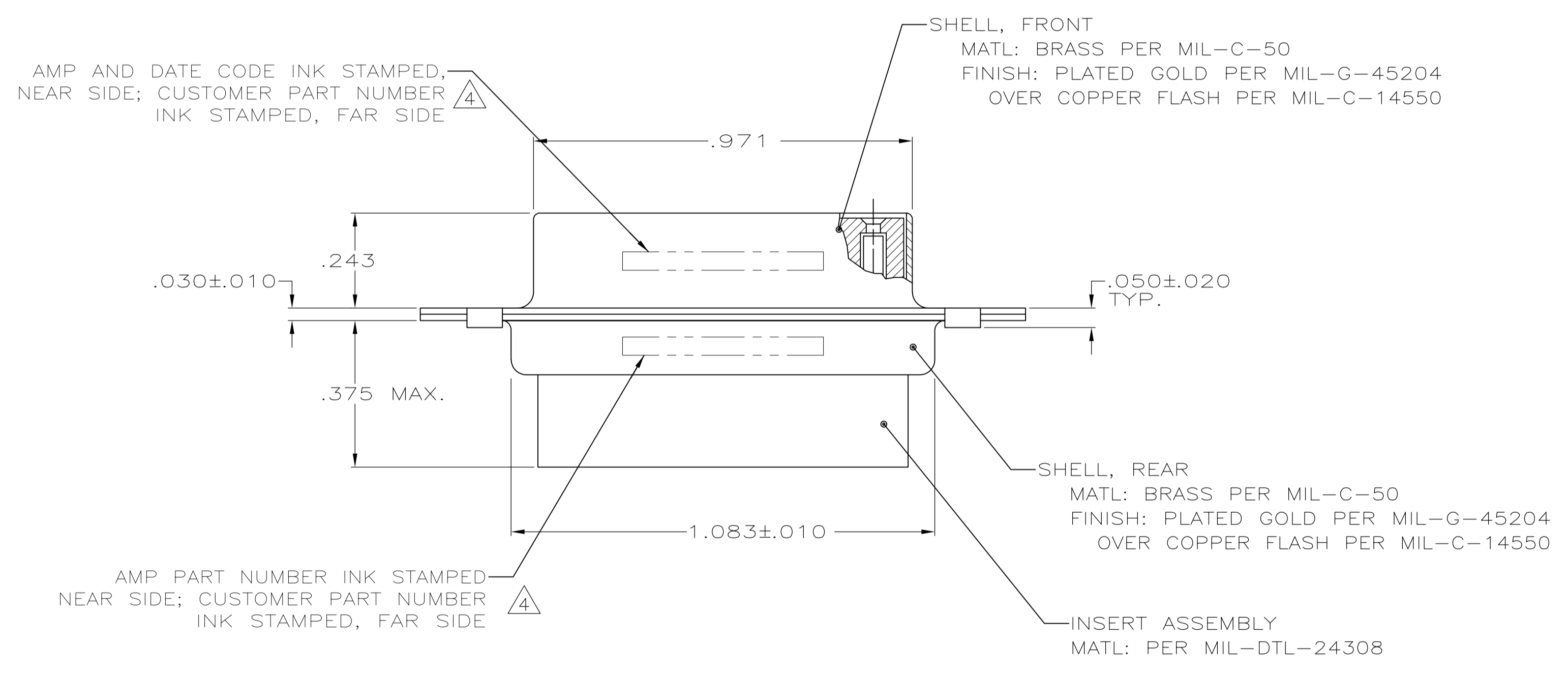


LOC		DIST		REVISIONS			
P	LTR	DESCRIPTION	DATE	DWN	APVD		
P		REV PER ECO 15-016064	11-9-15	CT	CD		



- 1 THIS RECEPTACLE WILL MATE WITH ANY PLUG CONNECTOR WITH THE SAME INSERT ARRANGEMENT AS DEFINED BY MS18274-1.
2. MAXIMUM WIRE INSULATION USED WITH THIS RCPT. IS .072 DIA. MAX.
3. Be-Cu RETENTION CLIPS ARE INCLUDED IN INSERTS.
- 4 CUSTOMER PART NUMBER MAY BE SPLIT BETWEEN FRONT AND REAR SHELLS, SAME SIDE. FAR SIDE REFERS TO WIDE SIDE OF KEYSTONE, NEAR SIDE REFERS TO NARROW SIDE OF KEYSTONE.
- 5 UL/CSA DESIGNATION STAMPED IN THIS AREA.
- 6 THESE CONNECTORS ARE QUALIFIED TO GODDARD SPACE FLIGHT CENTER SPECIFICATION S-311-P-4.
- 7 RESTRICTED TO CAE ELECTRONICS ONLY.
- 8 CONNECTOR SUPPLIED WITH CONTACTS, AMP PART NUMBER 206793-1; (NOT INSTALLED).



8	.120	570513-2	206799-7	206799-7
8	.120	LMSC 1621480-002	206799-6	206799-6
8	.120	LMSC 1621480-002	206799-5	206799-5
6/7	.120	311P409-2S-B-12	206799-2	206799-4
	.154		206799-3	206799-3
	.120	311P409-2S-B-12	206799-2	206799-2
6	.154	311P409-2S-B-15	206799-1	206799-1
REMARKS	DIA A	MARKED CUSTOMER P/N	MARKED AMP P/N	AMP P/N

THIS DRAWING IS A CONTROLLED DOCUMENT. DIM: M. CLOUSER 12-19-88. CHK: T. CANTLIN 12-19-88. NAME: M. CLOUSER. PRODUCT SPEC: RECEPTACLE FOR SOCKET CONTACTS. APPLICATION SPEC: SIZE #2 (15 POS.) NON-MAGNETIC. MATERIAL: SEE CALLOUTS. FINISH: SEE CALLOUTS. WEIGHT: -. SIZE: A1.00779. CAGE CODE: 206799. DRAWING NO: 206799. CUSTOMER DRAWING. SCALE: 4:1. SHEET: 1 OF 1. REV: P.

Mouser Electronics

Authorized Distributor

Click to View Pricing, Inventory, Delivery & Lifecycle Information:

[TE Connectivity:](#)

[206799-2](#)