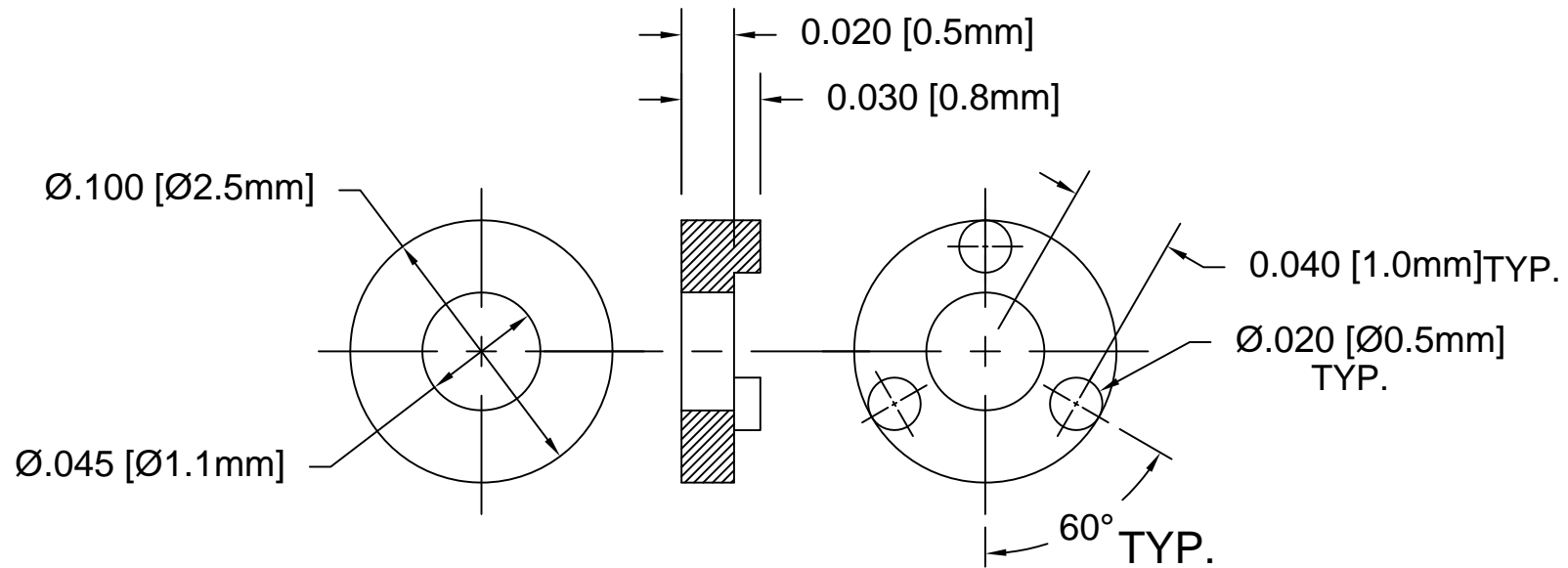


REV.	DESCRIPTION	DATE	APPROVED
C	Engineering Update w/o Changes	02/20/04	M. C.
D	Removed Material Code	05/22/16	J. C.



2. MATERIAL: NYLON 6/6, 94V-2, WHITE.

1. GENERAL SPECIFICATIONS: BIVAR MOLDED COMPONENT SPECIFICATION BV00-E101.

STANDARD TOLERANCE (UNLESS OTHERWISE SPECIFIED)		BIVAR [®]	
DECIMALS	ANGULAR	4 THOMAS, IRVINE, CA. 92618 TEL: (949) 951-8808 FAX: (949) 951-3974	
.X ±.1	X° ± 1°	TITLE: PERM-O-PAD PART NO: 413-030 REVISION: D CAGE CODE : 32559 SHEET # 1 OF 1 <small>CAD GENERATED DOCUMENT, DO NOT MEASURE DRAWING.</small>	
.XX ±.01			
.XXX ±.005			
DESIGNED: S. Irving	DATE: 05/12/98		
CHECKED: D. Green	DATE: 02/20/04		

Mouser Electronics

Authorized Distributor

Click to View Pricing, Inventory, Delivery & Lifecycle Information:

[BIVAR:](#)

[413-030](#)