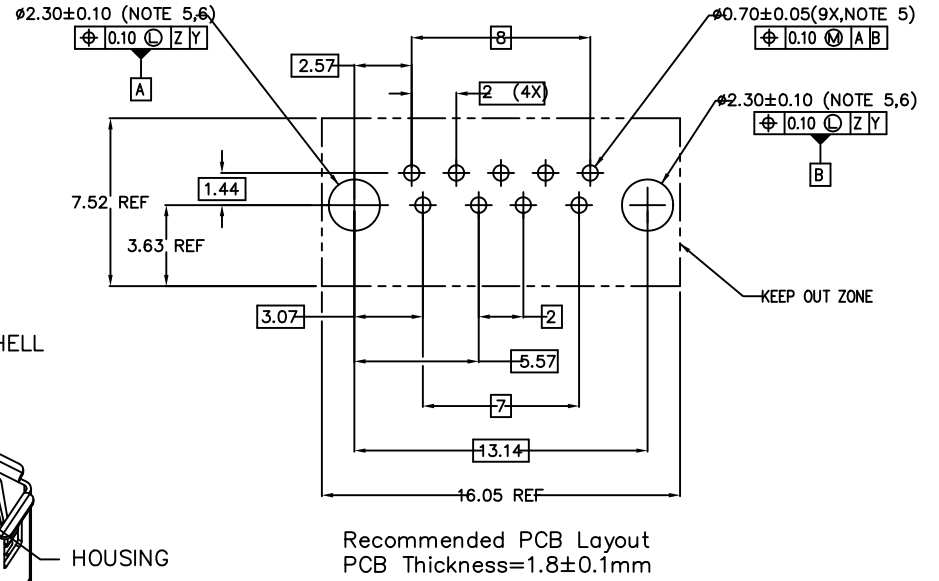
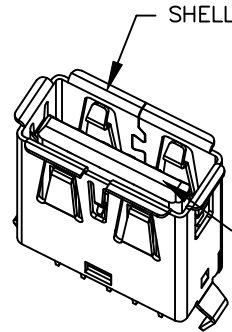
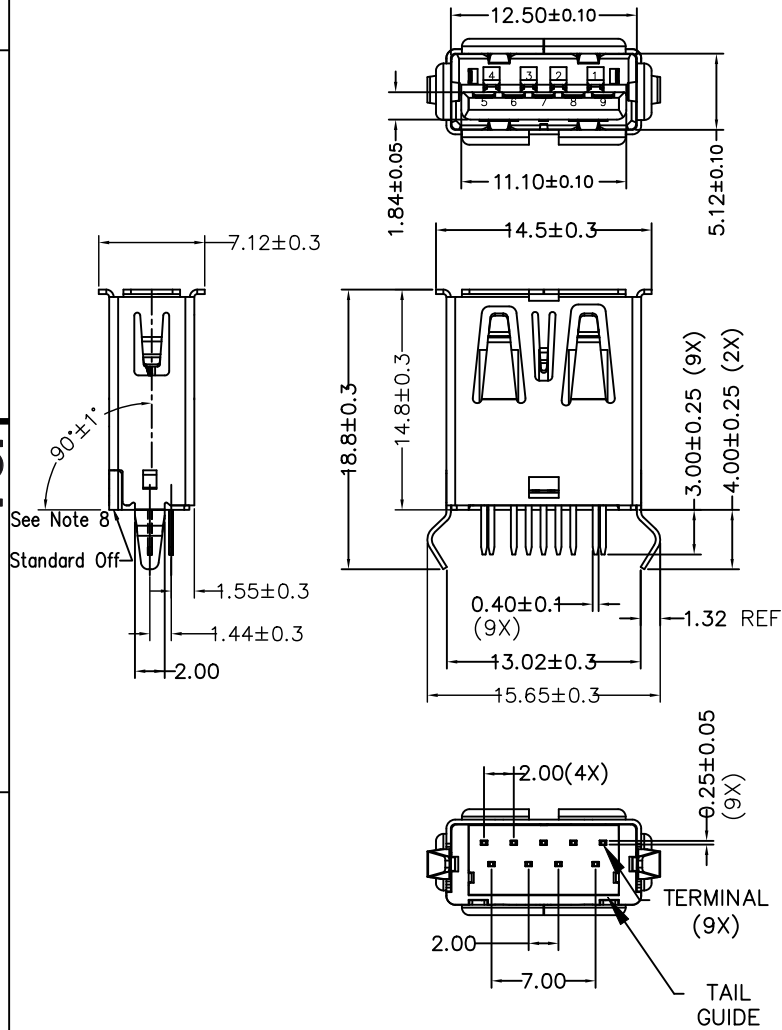


PART NUMBER CODE:
10117836-0XXLF

- CONTACT AREA PLATING AND DURABILITY OPTION
 1: 30u" Au (0.76um) Min. DURABILITY 3500 Min.
 2: GOLD FLASH, DURABILITY 1500 Min.
 HOUSING RESIN OPTION
 0: PBT
 1: LCP



- Notes:
- Materials
Housing & Tail Guide: Glass fiber filled thermoplastic resin, UL94 V-0 rated, color blue.
Terminals: Copper Alloy, 50u"(1.27um) Min. Ni underplated over all.
Contact area: see table
Tail area: 80u"(2.0um) Min. Matte Tin plated.
Shell: Copper Alloy, 50u"(1.27um) Min. Ni plated over all.
 - Product specification refer to FCI GS-12-0928.
 - Package specification refer to GS-14-2157 (Tray package style).
 - This product will withstand exposure to 260°C peak temp. for 10 seconds in a wave soldering application with recommended thick circuit board.
 - Product meets European Union Directives and other country regulations as described in FCI GS-22-008.
 - Recommended PCB hole is finished plating through hole (PTH) size.
 - Datum Z, Y and basic dimensions were constructed by customer.
 - The Angle between standard off and connector mating direction tolerance $\pm 1^\circ$

mat'l. code		surface ISO 1302 ✓		tolerance ISO 406 ISO 1101		projection		product family	
ltr		ecn no		dr		date		HPL 510 USB 3.0	
A		-		A.ZH		07/17/12		title	
B		ELX-N-22622		LQ		11/27/15		USB 3.0 Standard - A Receptacle Vertical Type	
C		ELX-N-30883		LZ		08/06/18		Soldering to Board Termination	
sheet		revision		D				dwg no	
index		sheet		All				sheet 1 of 1 size	
								10117836 A3	
								type Product Customer Drawing	

