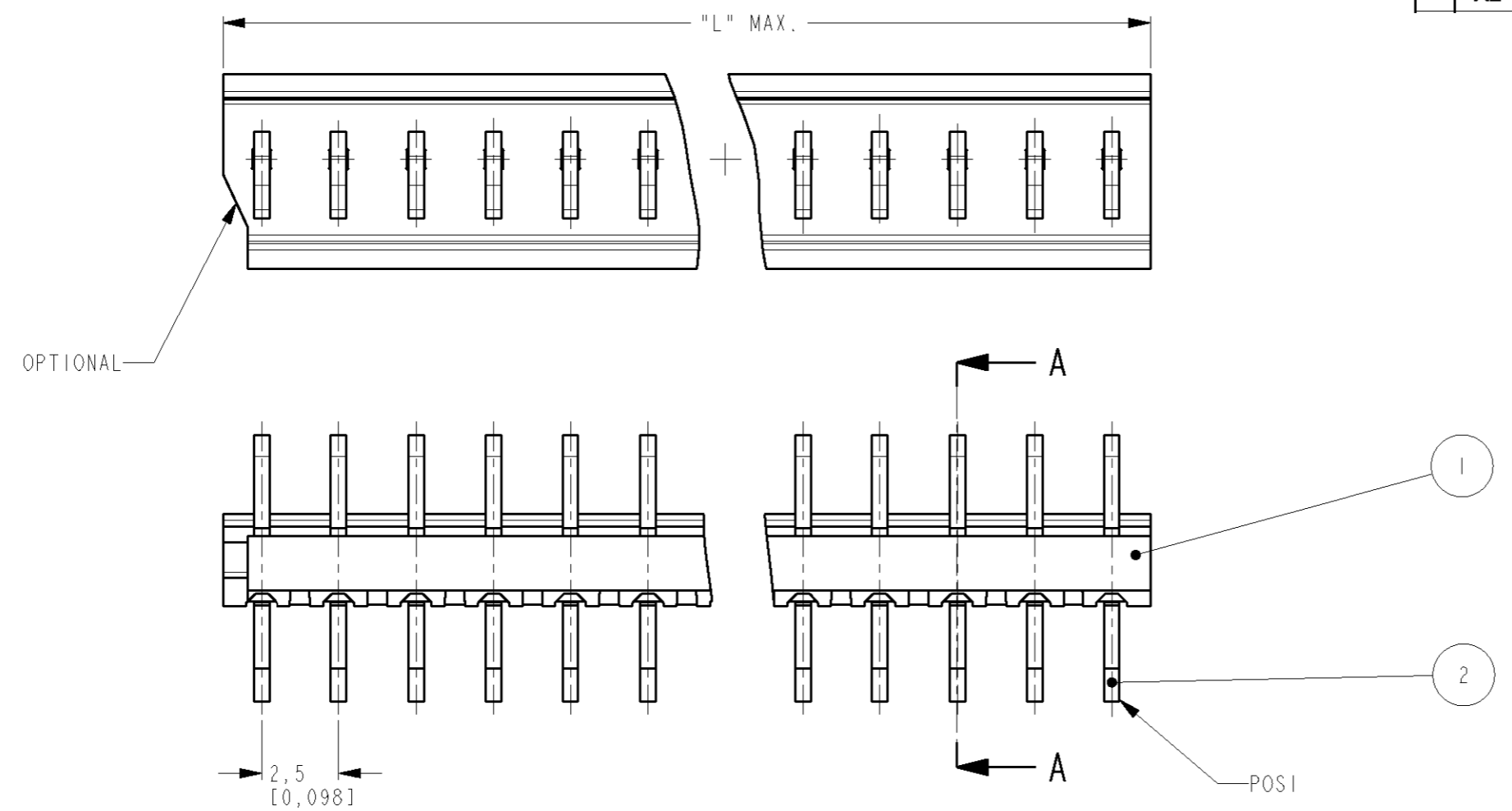


THIS DRAWING IS UNPUBLISHED. RELEASED FOR PUBLICATION  
 © COPYRIGHT ALL RIGHTS RESERVED.

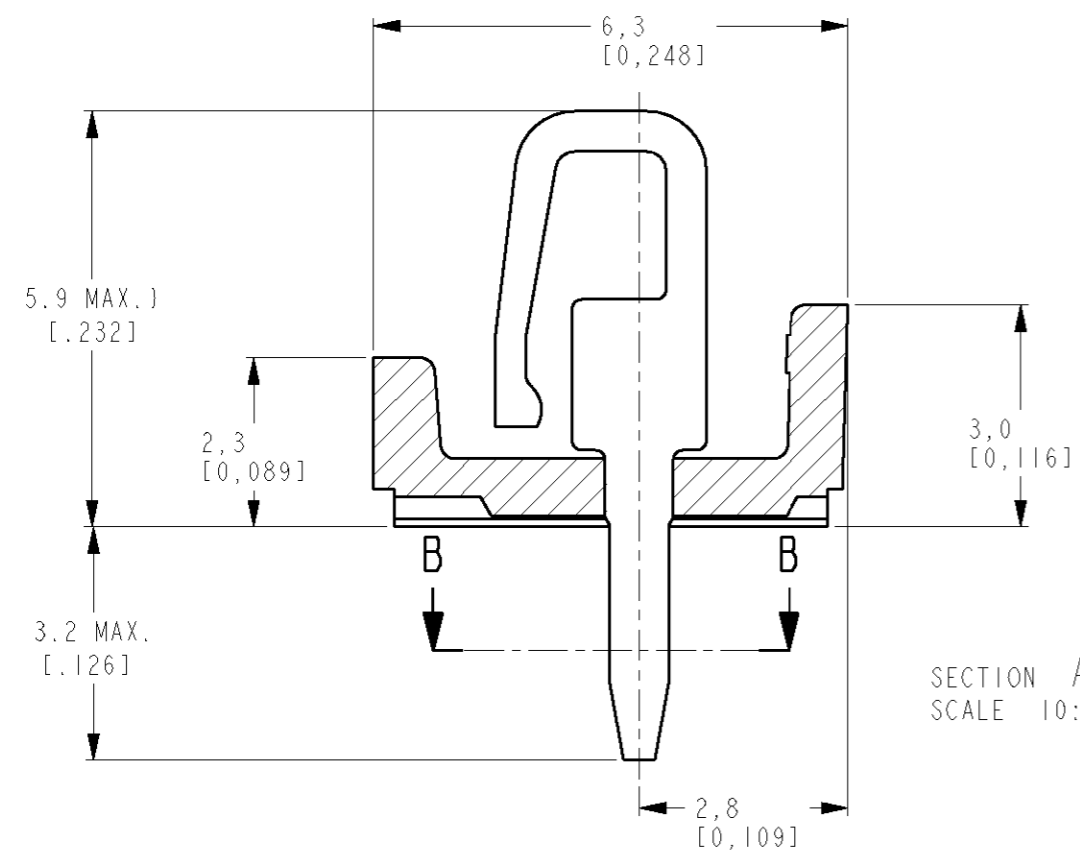
LOC	DIST	REVISIONS			
P	LTR	DESCRIPTION	DATE	DWN	APVD
H	-	A2 REVISED PER ECO-11-005294	19APR11	RK	HMR



PARTNUMBER	POS	"L" MAX	
		MM	INCH
0-5164713-3	3	7.5	.295
0-5164713-4	4	10.0	.394
0-5164713-5	5	12.5	.492
0-5164713-6	6	15.0	.591
0-5164713-7	7	17.5	.689
0-5164713-8	8	20.0	.787
0-5164713-9	9	22.5	.886
1-5164713-0	10	25.0	.984
1-5164713-1	11	27.5	1.083
1-5164713-2	12	30.0	1.181
1-5164713-3	13	32.5	1.280
1-5164713-4	14	35.0	1.378
1-5164713-5	15	37.5	1.476
1-5164713-6	16	40.0	1.575
1-5164713-7	17	42.5	1.673
<del>1-5164713-8</del>	18	45.0	1.772
<del>1-5164713-9</del>	19	47.5	1.870
2-5164713-0	20	50.0	1.969

**OBSOLETE**

**1** OBSOLETE PARTS: OBSOLETE CIS STREAMLINING PER D.RENAUD/D.SINISI



DIMENSIONS:	TOLERANCES UNLESS OTHERWISE SPECIFIED:
mm (inch)	
0 PLC	±-
1 PLC	±-
2 PLC	±-
3 PLC	±-
4 PLC	±-
ANGLES	±-
MATERIAL	FINISH

2	CONTACT	BRASS	TIN OVER NICKEL
1	HOUSING	PBT 20% GF, COLOR GREEN	
ITEM NO.	DESCRIPTION	MATERIAL	FINISH
DWN	09 MAR 05	TE Connectivity	
CHR	M.GOSSELINK		
APVD	F.FELJENS		
PRODUCT SPEC	108-19027		
APPLICATION SPEC		NAME	MINI-MATCH CONNECTOR ASS'Y 3-20 POS 2.5 MM PITCH
WEIGHT	-	SIZE	A3
CUSTOMER DRAWING		CAGE CODE	00779
		DRAWING NO	C=5164713
		RESTRICTED TO	-
		SCALE	5:1
		SHEET	1 OF 1
		REV	A2

# Mouser Electronics

Authorized Distributor

Click to View Pricing, Inventory, Delivery & Lifecycle Information:

[TE Connectivity:](#)

[5164713-9](#)